

# SANDRINGHAM SL

## Bathroom Fittings

Water saving "CLICK" feature on single lever fittings



## Installation Instructions

B4447 Single lever basin mixer

B4448 Single lever bidet mixer

E5068 Bath/Shower mixer

with shower kit

E5069 Bath filler

### INSTALLER:

After installation please pass this instruction booklet to user

**The fittings covered by this installation and maintenance instruction should be installed in accordance with the water regulations published in 1999\*, therefore, American Standard would strongly recommend that these fittings are installed by a professional installer**

## WATER SUPPLIES

Sandringham SL fittings are designed for use on systems where the water pressure is a minimum of 0.1 bar and they are suitable for use up to a pressure of 5.0 bar.

At pressures above 2.0 bar it will be found desirable to replace the flow straighteners with Neoparl aerator/flow restrictors (not supplied). These can be obtained by contacting the customer care team (see back cover) and quoting the following reference numbers:  
*A960321AA Basin and Bidet*  
*A960309AA Bath fittings*

It is recommended that the hot and cold supply pressures are reasonably balanced and from a common source.

## CONNECTIONS

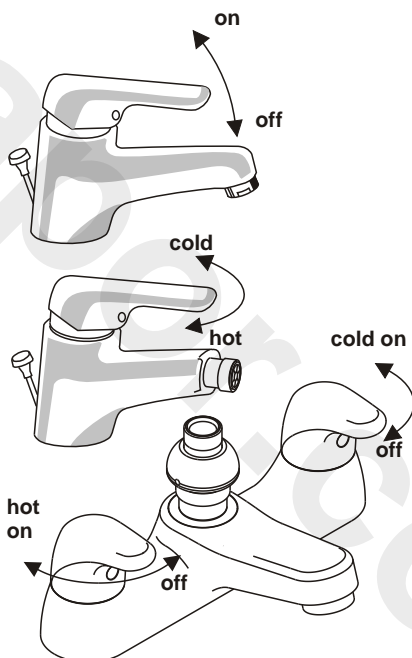
The connections to the basin and bidet fittings are 10mm copper tails.

Connections to the bath fittings are 3/4" BSP.

## OPERATION

The basin and bidet fittings operate using a single lever mechanism which permits a more fluent control of water flow and temperature.

The bath fittings use quarter turn cartridges allowing a smooth operation which can be easily adjusted.



**Figure 1**

\*A guide to the Water Supply (Water Fittings) Regulations 1999 and the Water Byelaws 2000, Scotland, is published by WRAS (Water Regulations Advisory Scheme) Fern Close, Pen-y-Fan Industrial Estate, Oakdale, Newport, NP11 3EH.  
 ISBN 0-9539708-0-9

### WATER ECONOMY

The Sandringham SL single lever basin and bidet fittings incorporate a water saving mechanism known as the "CLICK" cartridge. Commonly users of single lever cartridges were found to raise the flow control lever fully causing an over-use of water. The "CLICK" mechanism was developed as a tactile guide to make it easy to open the valve to a gentle rate when a lesser flow is required.

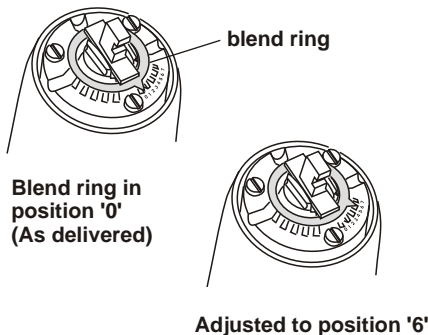
As the lever is raised an obvious resistance is felt when it is about half way up. Raising the lever past this resistance permits the cartridge to be opened fully.

The mechanism consists of two parts. An outer ring and a shoe (see fig 2). To remove, slide off shoe. The click ring can then be snapped off by placing a



**Figure 2**

### SETTING THE BLEND CONTROL



**Figure 3**

The Sandringham SL single lever basin and bidet fittings incorporate a blend control. This is a simple mechanical limit stop, located under the single lever handle, which restricts the angle to which the handle can be rotated towards the full hot position.

To set it, the hot water system should be operating and the hot water up to normal working temperature.

A thermometer will be required to measure the maximum blend temperature. (Refer to drawing on page 5)

1. Remove the handle (1) & shroud (4).
2. Remove the two-part 'CLICK' mechanism (6a) see opposite.
3. The blend ring, which is factory set in position '0' can then be prised up and rotated to the desired setting. There are 8 positions (0-7), the higher the number the lower the maximum blend temperature.
4. Push the blend ring back down to lock in its new position.
5. Operate the fitting and rotate the handle as far as it will go to the left. Measure the water temperature and make further adjustments as necessary.
6. Refit 'click' mechanism, shroud and handle.

The unique ceramic disc cartridge contains ultra smooth ceramic discs. They are so hard that they always remain sealed together, polishing one another in use, and sand, sediment and other waste borne matter cannot get between them or damage them. Even the hardest water has no effect and this means that the Sandringham SL fittings should give many years of efficient, trouble free service without the drip and liming up problems associated with traditional taps.

However, in the unlikely event of a failure, or any problem, simply exchange the cartridge. First check the outlet nozzle for possible blockage due to a build-up of debris from the pipework.

## CARTRIDGE REPLACEMENT

### Bath Fittings

1. Turn off both hot and cold water supplies
2. Remove index buttons (3)
3. Undo grub screws (1) using an Allen key
4. Pull off handles (1)
5. Slacken screw (4) and pull off drive insert (5)
6. Unscrew cartridge (6) and replace with the new one
7. Reverse the procedure for assembly

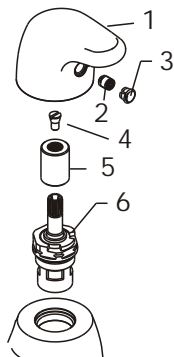


Figure 4

### Basin and Bidet Fittings

1. Turn off both hot and cold water supplies.
2. Raise lever handle fully, remove plastic index cap (3) and undo grub screw (2).
3. Pull off shroud (4).
4. Remove click mechanism components (6a).
5. Undo screws (5). The cartridge can then be lifted out.
6. Ensure seals (7) have been removed with the cartridge.
7. Position new cartridge ensuring the location peg engages in the appropriate hole and reverse the procedure for assembly.

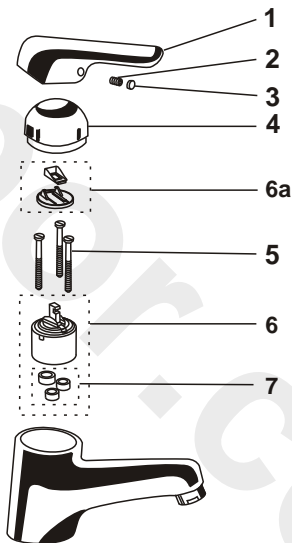
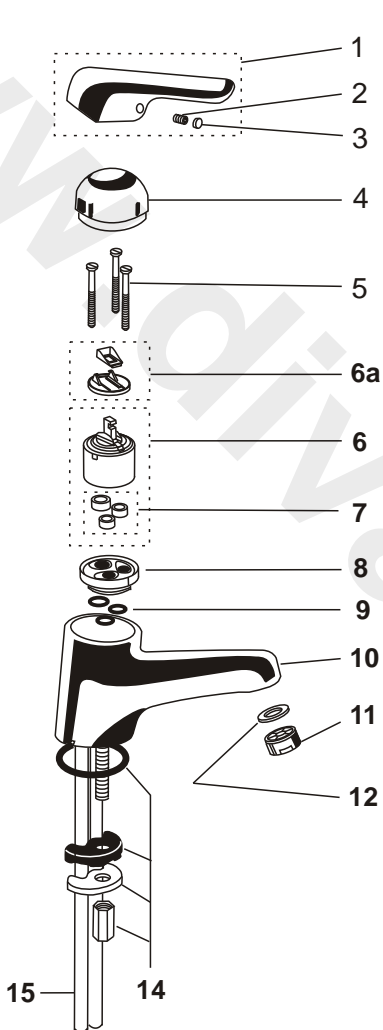
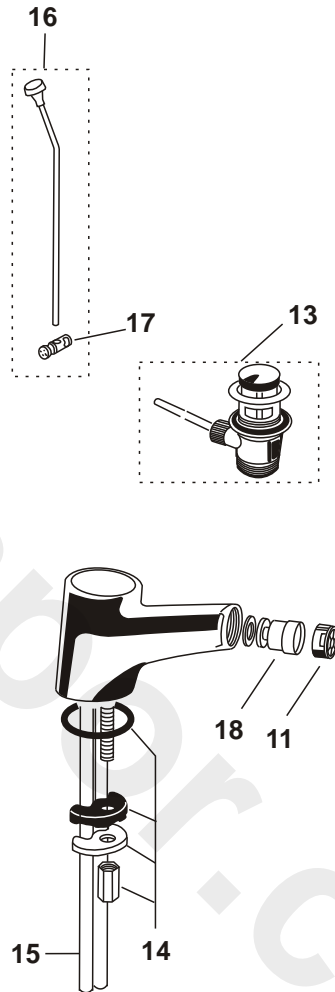


Figure 5

SANDRINGHAM SL BASIN & BIDET MIXERS



**Figure 6a**  
**B4447**  
 Single lever basin mixer



**Figure 6b**  
**B4448**  
 Single lever bidet mixer

| <b>Ref.</b> | <b>Description</b>                  |
|-------------|-------------------------------------|
| 1           | Handle                              |
| 2           | Grub screw                          |
| 3           | Index button                        |
| 4           | Shroud                              |
| 5           | Cartridge screws M4 x 45.5          |
| 6           | CX single lever cartridge complete  |
| 6a          | "CLICK" mechanism                   |
| 7           | Cartridge seals                     |
| 8           | Adapter                             |
| 9           | O-ring seals                        |
| 10          | Body                                |
| 11          | Flow straightener                   |
| 11a         | Aerator (not supplied)              |
| 12          | Rubber washer for flow straightener |
| 13          | Pop-up waste                        |
| 14          | Fixing kit                          |
| 15          | Copper inlet tails M12 x 10mm OD    |
| 15a         | O-rings for inlet tails             |
| 16          | Pop-up rod with knob and clamp      |
| 17          | Clamp for pop-up rod                |
| 18          | Bidet swivel                        |

## SANDRINGHAM SL BATH SHOWER MIXER GENERAL ASSEMBLY

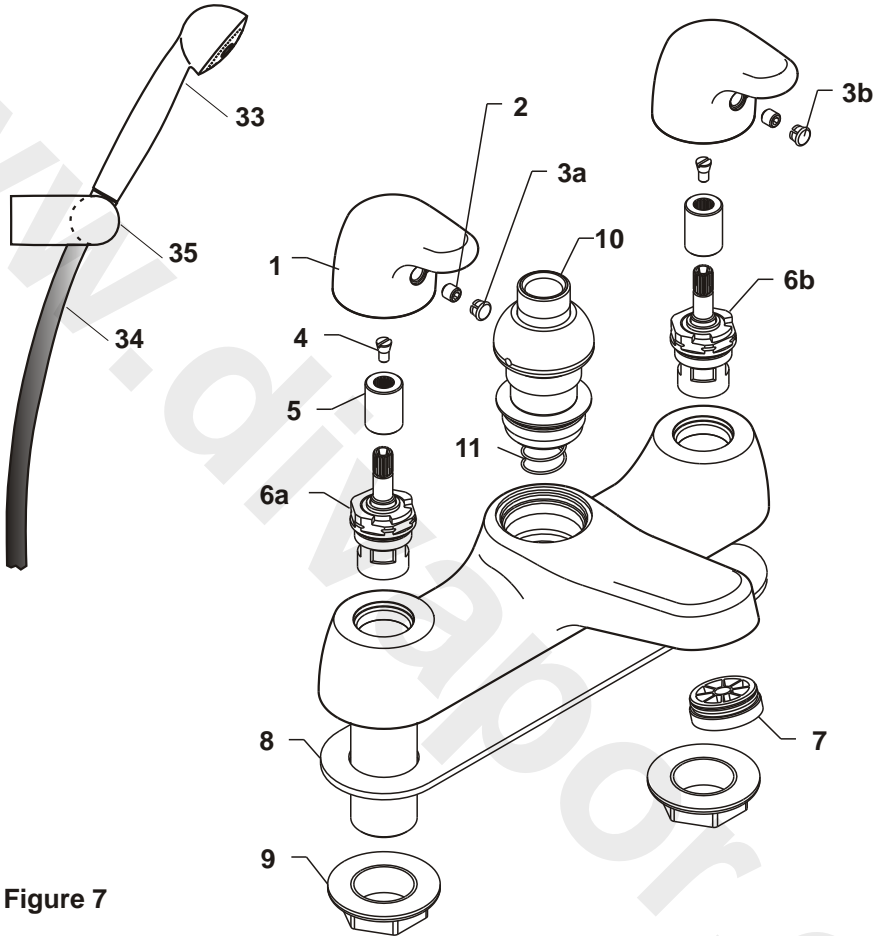


Figure 7

| Ref. | Description                        | Ref. | Description            |
|------|------------------------------------|------|------------------------|
| 1    | Handle                             | 7    | Flow straightener      |
| 2    | Grub screw                         | 7a   | Aerator (not supplied) |
| 3a   | Red handle index                   | 8    | Gasket                 |
| 3b   | Blue handle index                  | 9    | 3/4in backnut          |
| 4    | Sleeve retaining screw             | 10   | Diverter valve s/assy  |
| 5    | Sleeve                             | 11   | Diverter valve spring  |
| 6a   | 3/4 SE ceramic disc cartridge hot  | 33   | Handspray              |
| 6b   | 3/4 SE ceramic disc cartridge cold | 34   | Flexible shower hose   |
|      |                                    | 35   | Showering station      |

www.diver.com

CUSTOMER CARE HELPLINE

**0870 129 6086**

CUSTOMER CARE FAX

**01482 499611**

E-MAIL

**[ukcustcare@aseur.com](mailto:ukcustcare@aseur.com)**

American Standard pursues a policy of continuing improvement in design and performance of its products. The right is therefore reserved to vary specification without notice.

American Standard Plumbing (UK) Ltd  
The Bathroom Works  
National Avenue  
Kingston-upon-Hull  
HU5 4HS  
England

4346 10/03

E96540900