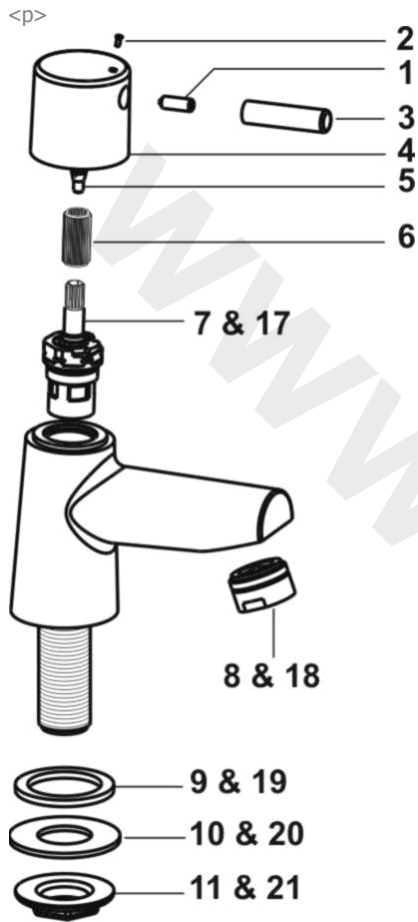


IDEAL-STANDARD BRASSWARE CONE B5105/6 Pillar Taps Basin & Bath



Ref.	Description
1	Grub screw
2	INDICATOR PIN PACK
3	Handle pin
4	Handle body
5	Screw
6	Drive insert (Adapter)
7	1/2 SE CERAMIC DISC CARTRIDGES - PAIR ** SPARES **
7a	SE 1/2 cartridge Basin
8	Flow straightener Basin & Bath
9	Sealing washer Basin
10	CONE CONNECTING GROUP 1/2 (9, 10 & 11)
11	REPLACEMENT 1/2" BRASS BACKNUT
17a	SE 3/4 cartridge Bath
17	SE 3/4 CERAMIC DISC CARTRIDGES L/FR PAIR ** Spares **
18	Aerater Basin & Bath (alailable as an optional extra)
19	Sealing washer Bath
20	CONE CONNECTING GROUP 3/4 (19, 20 & 21)
21	REPLACEMENT 3/4" BRASS BACKNUT

Part No.
S960184NU
S960059NU
B960300AA
B960299AA
A91831914
N042677NU
S960025NU
E960583NU
A961625AA
E911735NU
B960480NU
E960112NU
A954352NU11
S960023NU
A960321AA
B960302NU
B960471NU
E960111NU

**NB -- colour/finish options**

Chrome = AA