

<p>

www.divapor.com

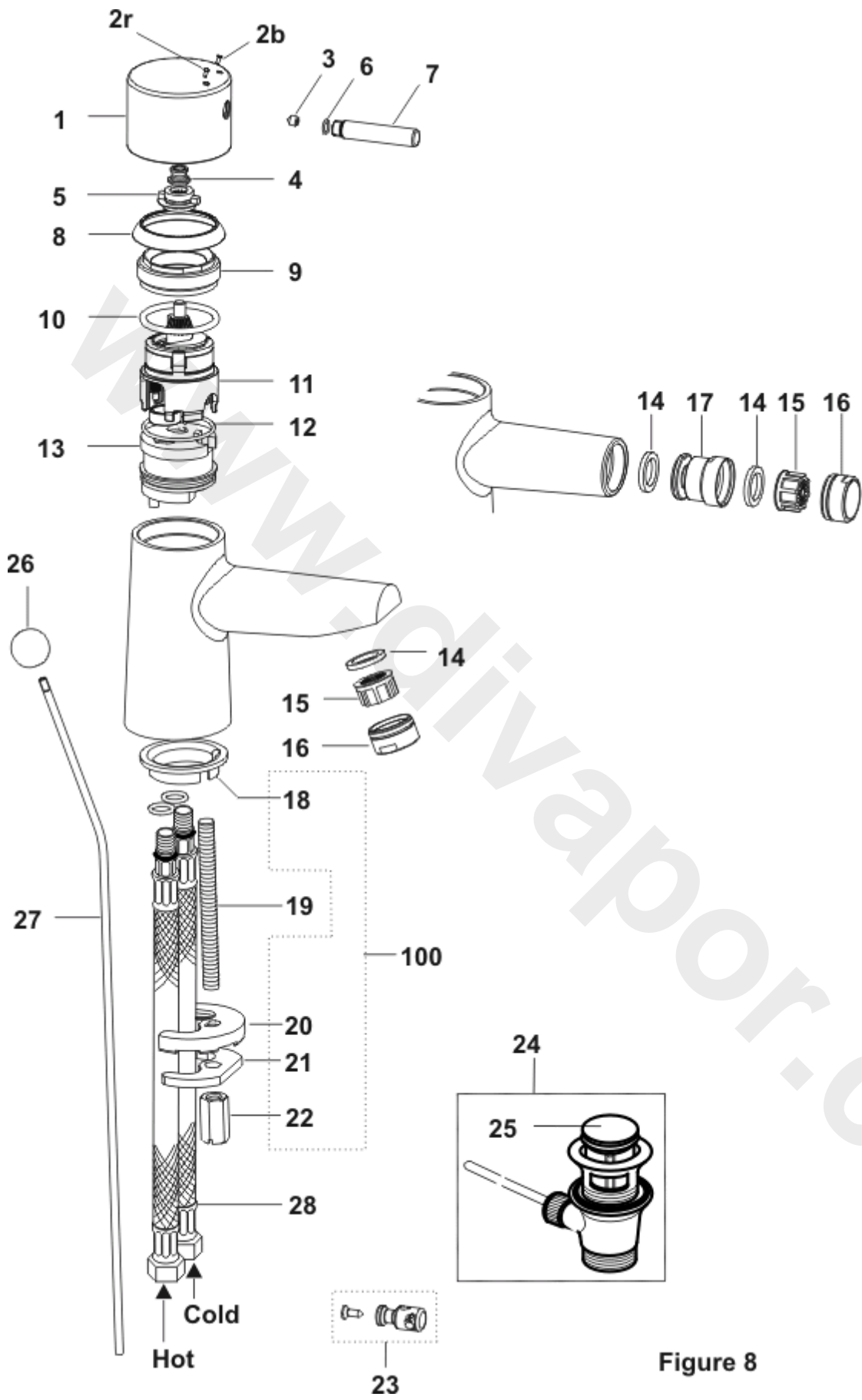


Figure 8

<b>Ref.</b>	<b>Description</b>	<b>Part No.</b>
1	Cone Basin SL Handle Body	B960304AA
2	INDICATOR PIN PACK	S960059NU
3	Grub screw	A963667NU
4	Retaining nut	E906002NU
5	Drive insert	E91810420
6	Friction washer	B960303NU
7	Handle pin	B960301AA
8	Shroud	B960298AA
9	Cartridge retaining nut	A961625AA
10	Cartridge sealing o-ring	A962715NU
11	Multiport cartridge Small	A962985NU
11a	Crescent shaped temperature limit stop	A962984NU
12	O-ring	B912142
13	Flow adapter	A904629
14	Gasket	-
15	Flow straightener complete	A961625AA
15a	Aerater	A960321AA
16	Flow straightener bezel	-
17	Bidet swivel	A960063AA
18	Deck sealing gasket	A960123NU
19	Fixing stud M8 x 92mm	B917018NU
20	Friction washer	A911942
21	Clamping plate	A923271
22	Sleeve nut	A90609014
23	Pop-up rod clamp	A963404NU
24	Pop-up waste complete	E950612AA
25	Pop-up plug & o-ring	A961226AA
26	Pop-up knob	A909938AA11
27	Pop-up rod	B950749AA
28	FLEX.HOSE LINE G1/2A-M10X1I-330	A960485NU
28a	ADAPTOR FOR FLEX.HOSE M10X1	A91811614
100	Connection set (M8 stud not included)	B960608NU

**NB -- colour/finish options**

Chrome = AA