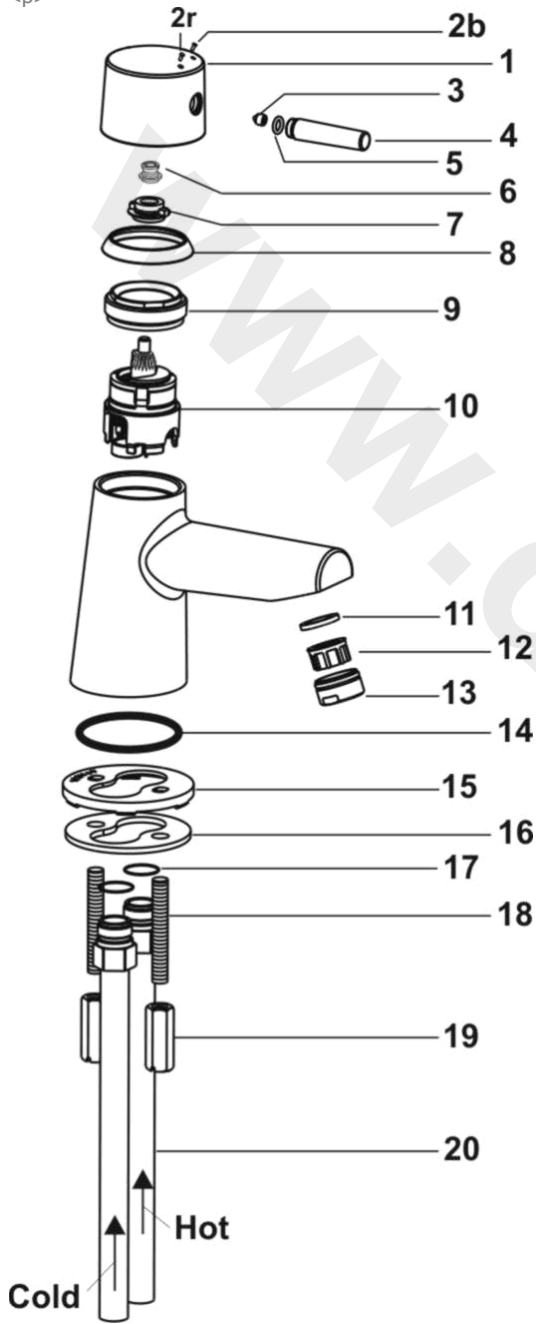


IDEAL-STANDARD BRASSWARE CONE B5109 1 Hole Single Lever Bath Filler

<p>



Ref.	Description	Part No.
1	Cone SL Bath Handle	B960304AA
2	INDICATOR PIN PACK	S960059NU
3	Grub screw	A963667NU
4	Handle pin	B960301AA
5	Friction ring	-
6	Retaining nut	E906002NU
7	Drive insert	E91810420
8	Shroud	B960298AA
9	RETAINING NUT M43X1.5	A963022NU
10	Multiport cartridge HF	A960145NU
11	Cartridge sealing gasket	A962715NU
12	Flow straightener (complete)	A961625AA
12a	Aerater (optional extra)	A960321AA
13	Flow straightener bezel	-
14	Deck sealing gasket	-
15	Friction washer	-
16	Clamping plate	-
17	Inlet tail gaskets	A963916NU
18	Fixing stud	-
19	Sleeve nut	-
20	Inlet tails	A960133NU
21	Fixing set (14 - 19)	B960307NU

NB -- colour/finish options

Chrome = AA

www.divapor.com