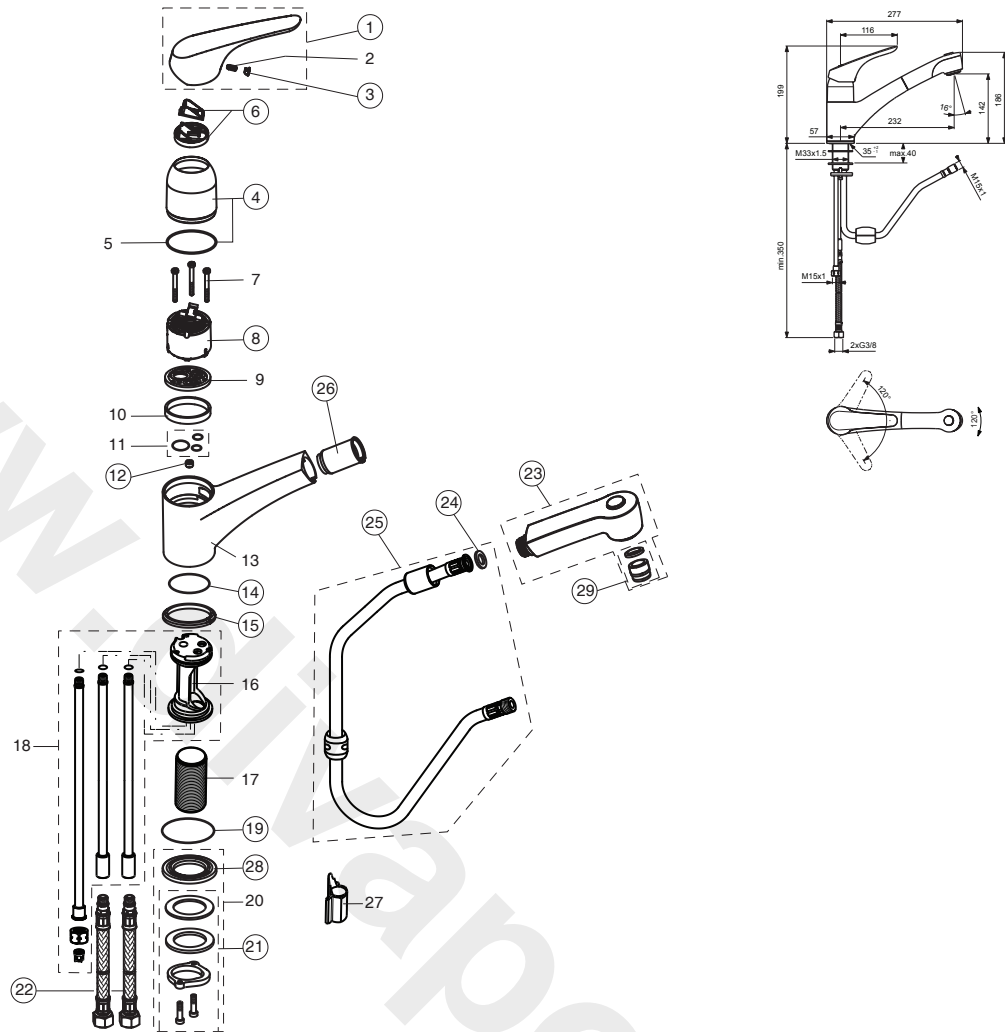


(B5347XX;
CERASPRINT NEW Combi B7574XX)



For XX = Coverage - Designate:
AA=chrome, GN=ultra/steel

For Instance:
B 960738 AA for chrome

| Pos. | Signify | Spare parts-Nr | Quantity | Pos. | Signify | Spare parts-Nr | Quantity |
|-------|-------------------------|----------------|----------|------|--|----------------|----------|
| 1 | Lever,w/logo ISI-compl. | B960738XX | 1 Pcs. | 22 | Flex hose G3/8 | A963305XX | 1 Pcs. |
| 2 | Screw M5x10 | | 1 Pcs. | | M10x1A-375,Ø14 | | |
| 3 | Cap(Blue/Red) | A963054NU | 1 Pcs. | | Flexible hose G1/2 | B964562XX | 1 Pcs. |
| 4 | Cap with O-Ring | B960229XX | 1 Pcs. | | M10x1/8x12/L400 | | |
| 5 | O-Ring Ø40x1 | | 1 Pcs. | 23 | Shower complete | B960215XX | 1 Pcs. |
| 6 | Volume stop | A860700NU | 1 Pcs. | 24 | Rubber washer | A961817NU | 5 Pcs. |
| 7 | Screw M4x45.5 | | 3 Pcs. | | | | |
| 8 | Cartridge Ø47mm | A960500NU | 1 Pcs. | 25 | Hose L1500mm-M15x1 plastic kit with weight | B960460NU | 1 Pcs. |
| 9 | Adapter | | 1 Pcs. | 26 | Plastic insert | A960911NU | 1 Pcs. |
| 10 | Adapter | | 1 Pcs. | 27 | Schlauchfuehrung | | 1 Pcs. |
| 11 | O-Ring-set | | 1 Pcs. | 28 | Rosette decorative | B960452XX | 1 Pcs. |
| 12 | Roller | A962147NU | 1 Pcs. | 29 | Aerator insert | B960509NU | 1 Pcs. |
| 13 | Body for kitchen | | 1 Pcs. | | | | |
| 14 | O-Ring Ø36x2 | A961335NU | 1 Pcs. | | | | |
| 15 | Gleitring 39.8-47.5-4 | B960254NU | 1 Pcs. | | | | |
| 16 | Manifold COMBI | | 1 Pcs. | | | | |
| 17 | Shank M33x1.5 | | 1 Pcs. | | | | |
| 18 | Manifold assembly | | 1 Pcs. | | | | |
| 19 | O-Ring Ø42.52x2.62 | A960331NU | 1 Pcs. | | | | |
| 20+27 | Assembly for kitchen | | 1 Pcs. | | | | |
| 21 | Connecting group | B960255NU | 1 Set | | | | |