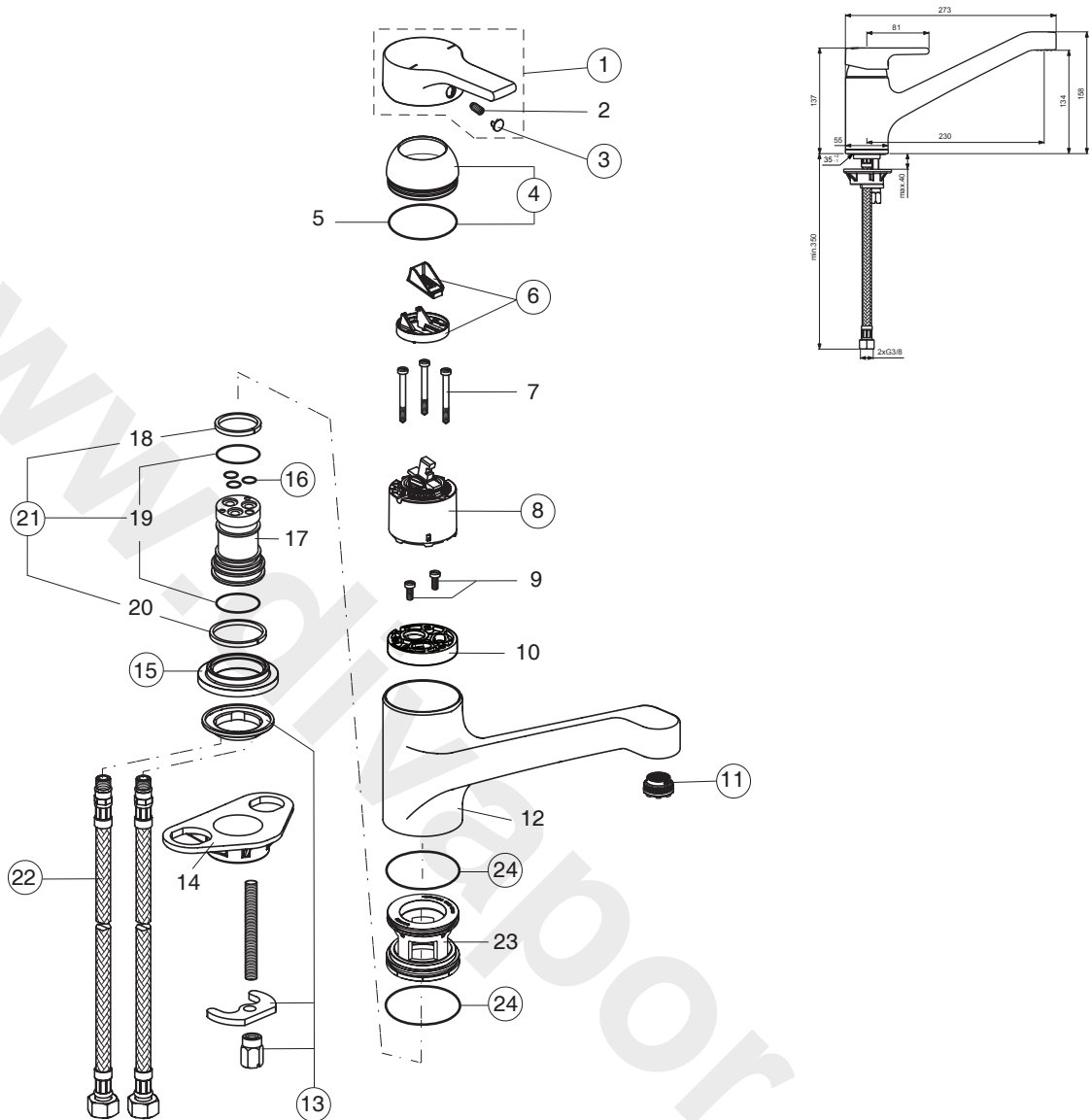


# ACTIVE (B8079XX;B8665XX)



For XX = Coverage - Designate:  
AA=chrome, GN=ultra/steel

For Instance:  
B 960672AA for chrome

Pos.	Signify	Spare parts-Nr	Quantity	Pos.	Signify	Spare parts-Nr	Quantity
1	Lever,w/logo ISI-compl.	B960672XX	1 Pcs.	20	Gleitring 34.6-38.9-3		1 Pcs.
2	Screw M5x10		1 Pcs.	21	Service kit spout	B960231NU	1 Set
3	Cap decorative	B960473XX	1 Pcs.	22	Flexible hose G3/8	B960474NU	1 Pcs.
4	Rosette-compl.	B960276XX	1 Set		M10x1/L445mm		
5	O-Ring Ø40x1		1 Pcs.		Flex hose G3/8	A963305XX	1 Pcs.
6	Volume stop	A860700NU	1 Pcs.		M10x1C/8x12/L400		
7	Screw M4x41.7		3 Pcs.	23	Bushing for kitchen		1 Pcs.
8	Cartridge Ø47N	A960500NU	1 Pcs.	24	O-Ring Ø44x2	A961338NU	2 Pcs.
9	Oval-head screw M4x10		2 Pcs.				
10	Adapter		1 Pcs.				
11	Aerator Honeycomb	B960366NU	1 Pcs.				
12	Body kitchen		1 Pcs.				
13	Connecting set	B960232NU	1 Set				
14	U plate support		1 Pcs.				
	bracket fixing kit						
15	Brass rosette	B960407XX	1 Pcs.				
16	O-Ring Ø7x2	B960230NU	3 Pcs.				
17	Manifold M10x1		1 Pcs.				
18	Gleitring 27.3-31.7-3		1 Pcs.				
19	O-Ring Ø26.64x2.62		2 Pcs.				