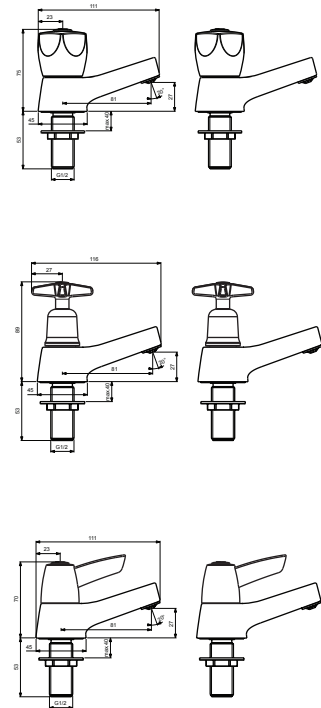
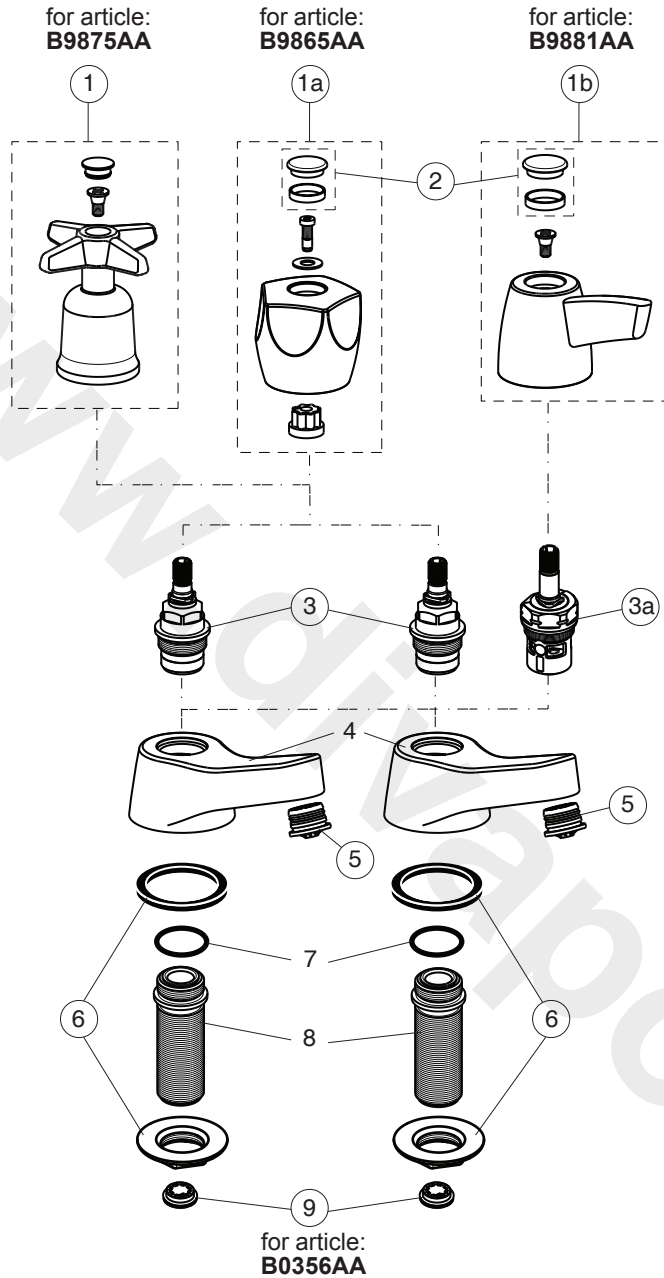


(B0356AA;B9865AA;
SANDRINGHAM 21 B9875AA;B9881AA)

*Armitage
Shanks*



Pos.	Signify	Spare parts-Nr.	Quantity	Pos.	Signify	Spare parts-Nr.	Quantity
1	Cross handle-compl.	B960996AA	1 Set	9	Flow regulator 4 l/min.	A962570NU	1 Pcs.
1a	Handle-compl.	B960995AA	1 Set				
1b	Lever-compl.	B960997AA	1 Set				
2	Indice buttons blue/red	B961056NU	1 Set				
3	Headworks	A963317NU	1 Pcs.				
3a	1/2 se ceramic disc cart a/cl close	A963004NU	1 Pcs.				
	1/2 se ceramic disc cart cl close	A963003NU	1 Pcs.				
4	Body pillar tap G1/2		2 Pcs.				
5	Flow straightener	B960998NU	2 Pcs.				
6	Connecting group	B960480NU	1 Set				
7	O-Ring $\varnothing 18.2 \times 1.7$		2 Pcs.				
8	Connector G1/2xG1/2		2 Pcs.				