

5 ATTACHING THE SWIVEL SPOUT

The attachment of the swivel spout to the body employs a bayonet type fixation.

Position the spout with the outlet nozzle facing the "ten o'clock" position so that the ball bearing engages with the groove in the body.

Push the spout firmly into position and turn spout to the facing position.

The spout should now move freely in the body

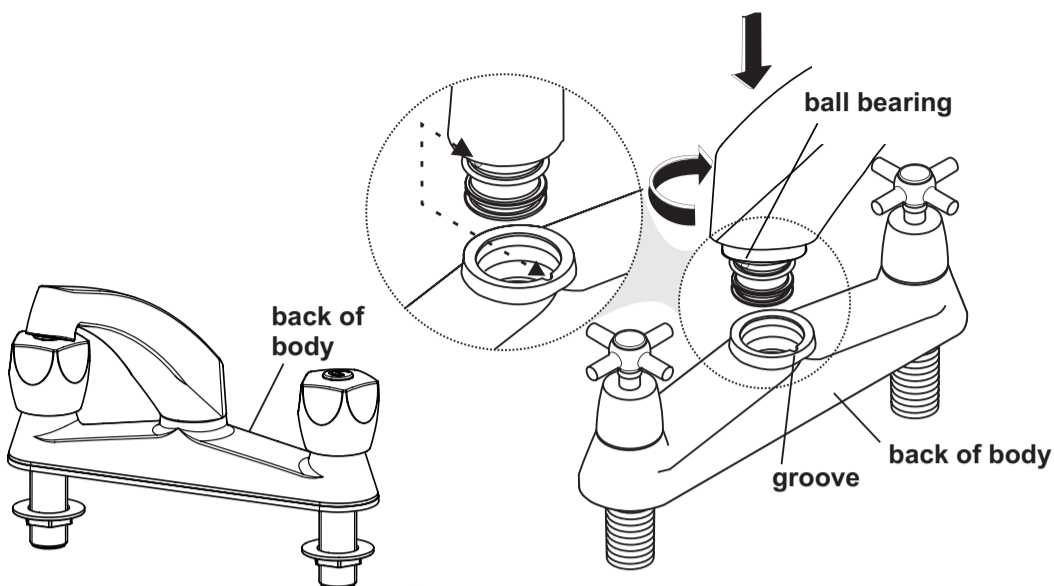


Figure 5

6 OPERATION

SANDINGHAM 21 CHROME HANDLE AND CROSSHEAD BRASSWARE

Turn the handles anti-clockwise to bring the fitting up to the full flow, or to any intermediate position as required.

SANDINGHAM 21 LEVER HANDLE BRASSWARE

Separate ceramic disc cartridges control the flow of hot and cold water. Turn the handle through 90° to move from off to fully on.

BATH/SHOWER MIXER

The bath/shower mixer incorporates a manually operated self cancelling diverter. Lift diverter knob to transfer to hand spray. The diverter will return to the supply-to-bath position when the water is turned off. If the hot and cold pressures are not balanced and from a common source the mixed water temperature may vary when the diverter is operated.

Direction of rotation

The ceramic disc cartridges fitted to the SANDINGHAM 21 lever range of brassware are the 1/2" SE ceramic disc cartridges.

Where lever handles are fitted it is opposite directions for hot and cold.

Rotation reversal can be achieved by removing the circlip and turning the the spindle stop over.

7 MAINTENANCE

To remove valve

1. Shut off hot and cold water supplies as required.
2. Remove handle (see section 8).
3. Unscrew valve by turning anti-clockwise.

REPLACEMENT VALVES AND CARTRIDGES

Conventional rubber valve internal headwork	# A963317NU
Quarter turn left hand ceramic disc headwork	# A963003NU
Quarter turn right hand ceramic disc headwork	# A963004NU

CLEANING

When cleaning the fittings always use soap based cleaners. Never use abrasive or scouring powders and never use cleaners containing alcohol, ammonia, nitric acid, phosphoric acid or disinfectants.

SAFETY FOR THE USER

- Fittings are not thermostatically controlled and the outlet temperature depends on the position of the handles, the hot and cold inlet temperatures and their pressures. If the cold water supply fails, only hot water at its maximum temperature will be delivered if connections to the cold water storage tank have not been made as recommended under WATER SUPPLIES.
- To protect vulnerable users from scald risk we recommend the installation of a temperature limiting device on the hot water supply to bath fittings. In certain installations this may be mandatory due to part G Building Regulations

CUSTOMER CARE HELPLINE

0870 129 6085

CUSTOMER CARE FAX

01482 499611

E-MAIL

ukcustcare@idealstandard.com

Armitage Shanks pursues a policy of continuing improvement in design and performance of its products. The right is therefore reserved to vary specification without notice.

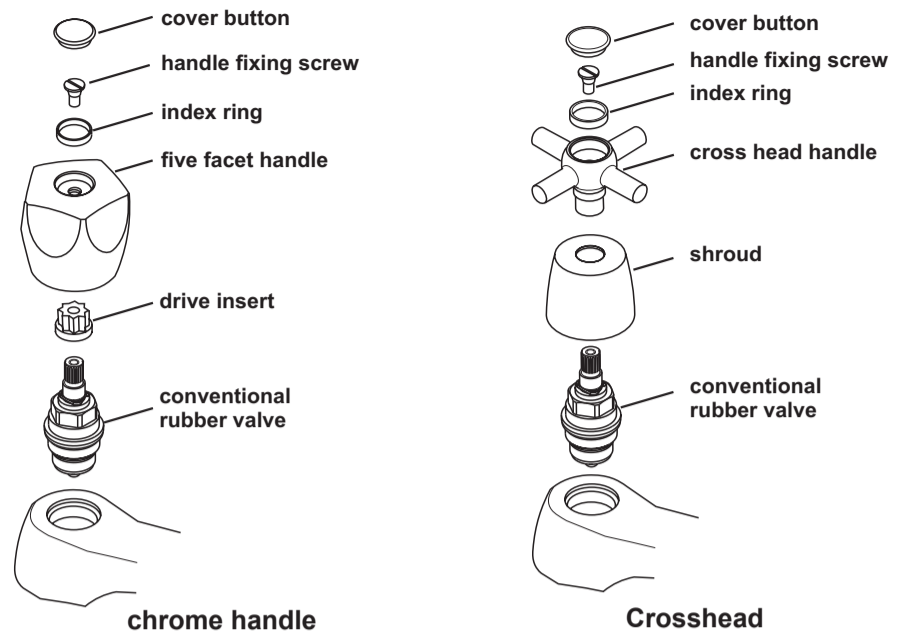
Armitage Shanks is a division of Ideal Standard (UK) Ltd

Armitage Shanks
The Bathroom Works, National Avenue
Kingston-upon-Hull, HU5 4HS England

Ideal Standard International BVBA
Corporate Village – Gent Building
Da Vincilaan 2
1935 Zaventem
Belgium

<http://www.idealstandardinternational.com>

8 ATTACHING THE HANDLES



chrome handle

Crosshead

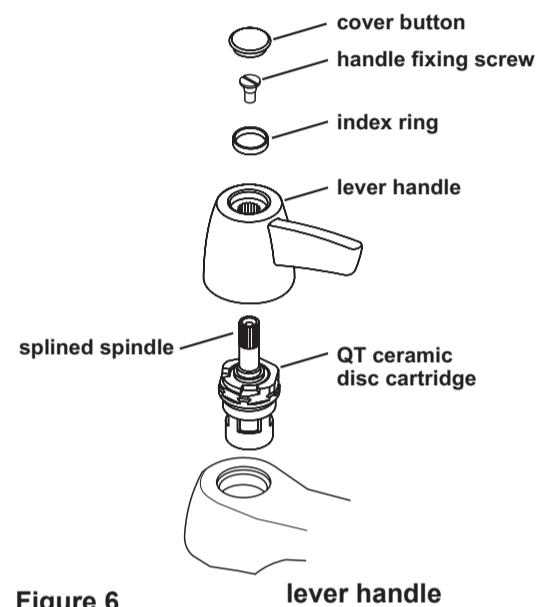
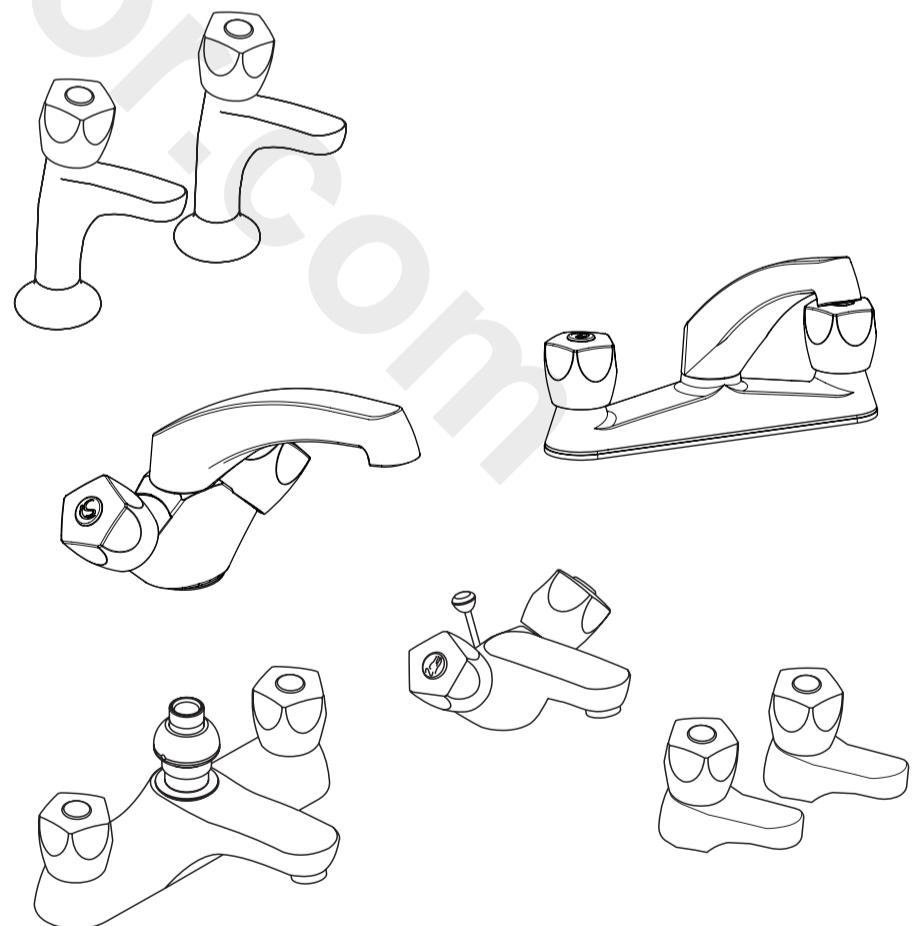


Figure 6

lever handle

SANDRINGHAM 21

*Armitage
Shanks*



The fittings covered by this installation and maintenance instruction should be installed in accordance with the water regulations published in 1999*, therefore Armitage Shanks would strongly recommend that these fittings are installed by a professional installer

*A guide to the Water Supply (Water Fittings) Regulations 1999 and the Water Byelaws 2000, Scotland, is published by WRAS (Water Regulations Advisory Scheme) Fern Close, Pen-y-Fan Industrial Estate, Oakdale, Newport, NP11 3EH. ISBN 0-9539708-0-9

INSTALLER:

After installation please pass this instruction booklet to user

1 RANGE

Chromed handle:

½" Basin Pillar Taps.	B9865AA
¾" Bath Pillar Taps.	B9866AA
2 Hole Bath filler.	B9870AA
2 Hole Bath Shower Mixer.	B9871AA
½" High Neck Pillars.	B9872AA
1 Hole Basin Mixer without P/U waste.	B9867AA
1 Hole Basin Mixer with P/U waste.	B9868AA
1 Hole Basin Mixer with P/U waste.	B1404AA
1 Hole Basin Mixer with weighted chain.	B9869AA
2 Hole Sink Mixer with high rise spout.	B9873AA
1 Hole Sink Mixer with high rise spout.	B9869AA
½" Basin Pillar Taps 4 LPM ECOFLOW.	B0356AA
1 Hole Basin Mixer with P/U waste 4 LPM ECOFLOW.	B0357AA

Crosshead:

½" Basin Pillar Taps.	B9875AA
¾" Bath Pillar Taps.	B9876AA
2 Hole Bath filler.	B9877AA
2 Hole Bath Shower Mixer.	B9878AA
½" High Neck Pillars.	B9879AA
2 Hole Sink Mixer with high rise spout.	B9880AA

Lever handle:

½" Basin Pillar Taps.	B9881AA
¾" Bath Pillar Taps.	B9882AA
2 Hole Bath filler.	B9883AA
2 Hole Bath Shower Mixer.	B9884AA
½" High Neck Pillars.	B9885AA
2 Hole Sink Mixer with high rise spout.	B9886AA

The fittings covered by this installation and maintenance instruction should be installed in accordance with the water regulations published in 1999*, therefore Armitage Shanks would strongly recommend that these fittings are installed by a professional installer

*A guide to the Water Supply (Water Fittings) Regulations 1999 and the Water Byelaws 2000, Scotland, is published by WRAS (Water Regulations Advisory Scheme) Fern Close, Pen-y-Fan Industrial Estate, Oakdale, Newport, NP11 3EH. ISBN 0-9539708-0-9

Please read this instruction carefully before commencing installation

2 WATER SUPPLIES

GENERAL

● Please read this instruction carefully before commencing installation

● The fittings should always have the cold water supply connected on the right and the hot supply on the left when facing the fitting.

Connections

Bath Pillar Taps, Deck Mounted	
Bath Filler and Bath/Shower Mixers	G¾
Basin & Sink Pillar Taps	G½
Sink Deck Mixer	G½
1 hole basin and sink mixers	flexible tail pipes with 15mm compression couplings

WATER SUPPLIES

All fittings in this range are designed to operate on supply pressures from 0.1 bar minimum to 5 bar maximum.

To ensure safety with bath/shower mixers installed on normal UK low pressure storage tank fed systems it is recommended that the cold water feed from the storage tank is connected below the feed to the hot water storage cylinder. Thus, in the event of a float-operated valve failure or mains supply failure the hot water will cease to flow before the cold.

BATH SHOWER MIXER - BACKFLOW PROTECTION (supplied separately)

The water regulations place a duty on installers to ensure that flexible shower hose and handspray cannot create a backflow risk. This risk exists when it is possible for a flexible shower outlet to enter any sanitary vessel.

To make it easy for installers to comply with the regulations, hose retainers are available separately or with a slide rail.

This retaining bracket should be sited such that when the flexible shower hose is passed through it, the handspray cannot enter any adjacent sanitary appliance. The three sketches below summarise its use.

If it is required to allow the spray head to enter an adjacent bath, shower tray or basin, both Inlets to the mixer must be protected by single check valves. (This is not permitted in health care establishments.)

It must never be possible for the handspray to enter an adjacent bidet or WC.

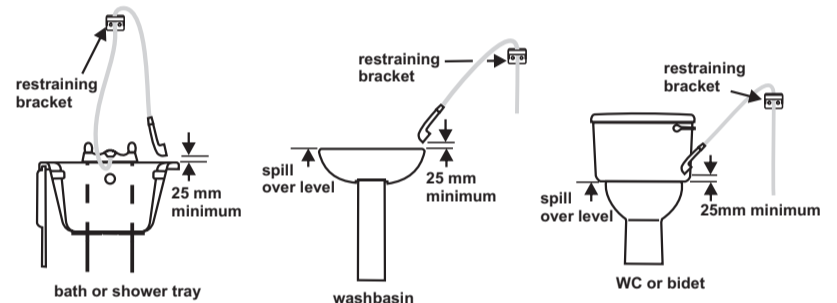


Figure. 1

3 INSTALLATION - 2 HOLE FITTINGS

Flush water through pipework to remove all debris etc. before connecting the fittings.

Pillar taps

Ensure the rubber deck sealing washer is above the tap platform and is seated correctly before tightening the backnut.

Bath and sink fittings

- Fit rubber gasket on the fitting body.
- Insert fitting into the tap holes on the bath or sink.
- Attach the back nuts and tighten.
- For bath/shower mixer, fit shower hose to top of diverter.
- For compliance with the water regulations a hose retainer is required, see section 2

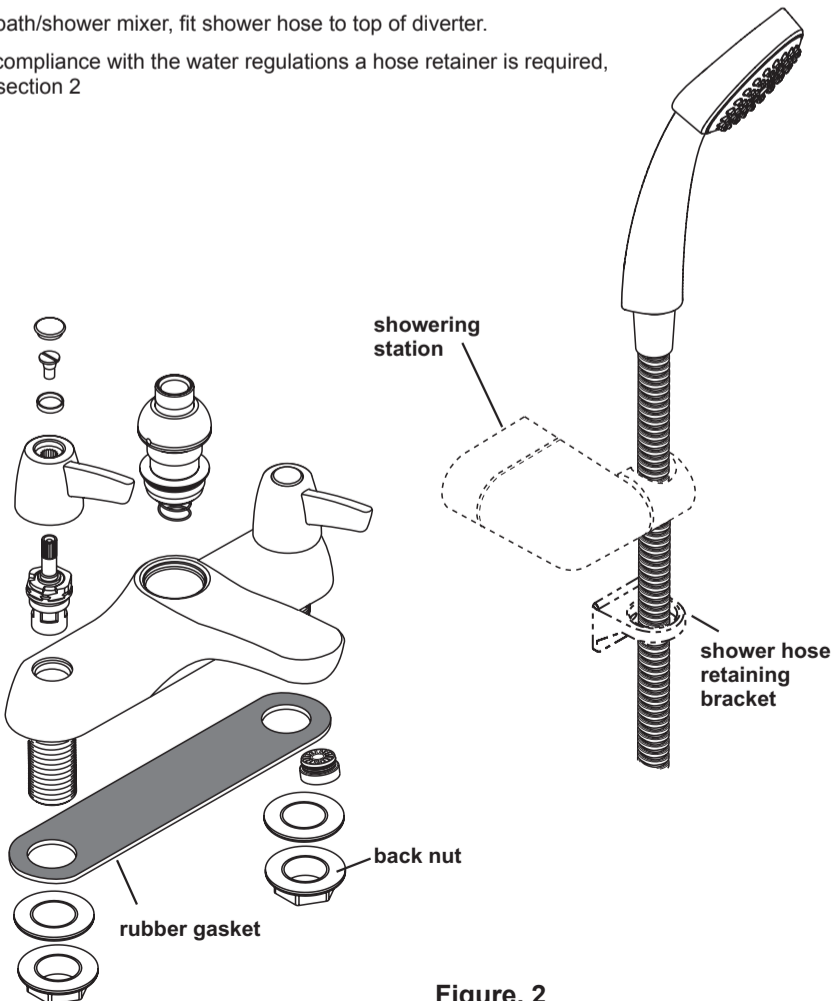


Figure. 2

4 INSTALLATION - 1 HOLE FITTINGS

BASIN FITTINGS

Flush water through pipework to remove all debris etc. before connecting the fittings.

- Insert the fitting into the tap hole, ensuring the deck seal is above the platform. Attach the back plate washer, back plate and sleeve fixing nut under the platform (Figure. 3).
- Tighten sleeve fixing nut.
- Fit waste.

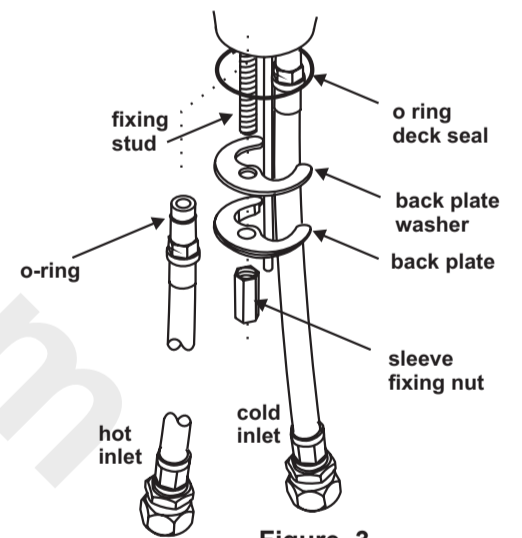


Figure. 3

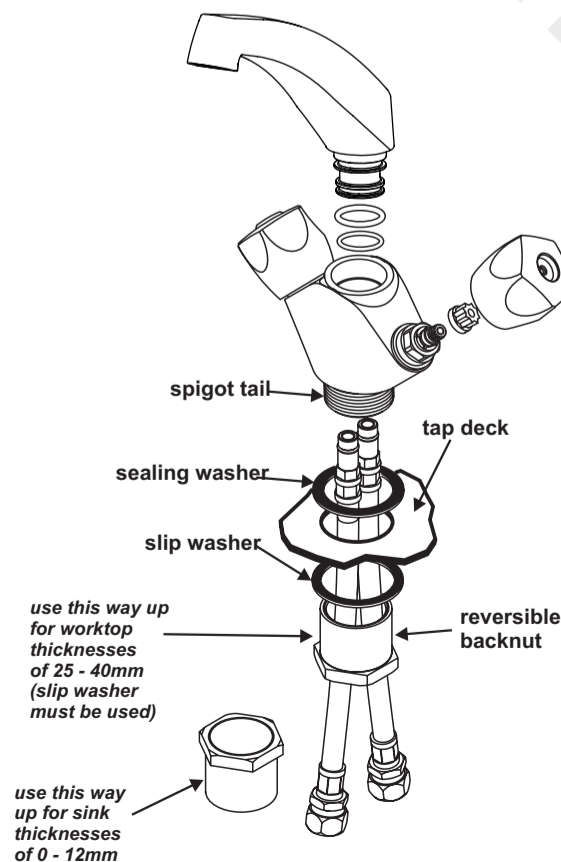


Figure. 4

SINK FITTINGS

- Insert the fitting into the tap hole, ensuring the sealing washer is above the tap deck.
- Pass the inlet tails through the reversible backnut and screw them into the fitting body.
- Engage the reversible backnut on the spigot tail and tighten