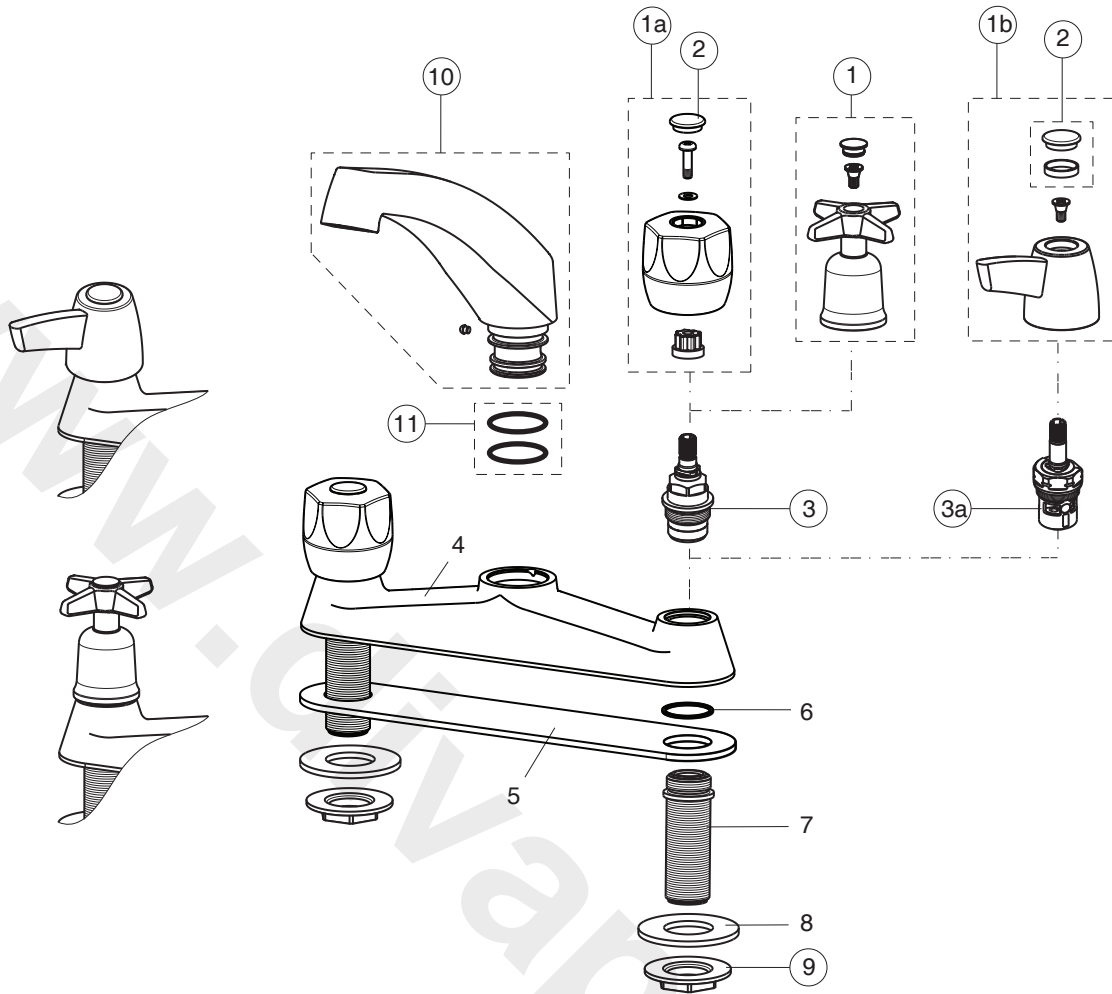


# SANDRINGHAM 21

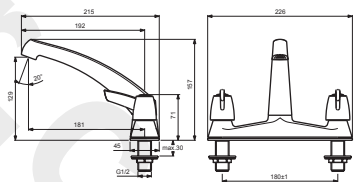
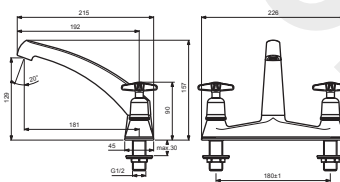
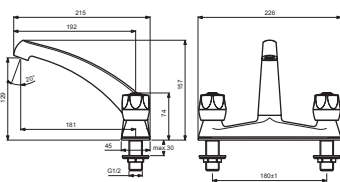
*Armitage  
Shanks*



**B9873AA**

**B9880AA**

**B9886AA**



Pos.	Signify	Spare parts-Nr.	Quantity	Pos.	Signify	Spare parts-Nr.	Quantity
1	Cross handle-compl.	B960996AA	1 Set	9	1/2 brass backnut	E960112NU	1 Pcs.
1a	Handle-compl.	B960995AA	1 Set	10	Cast spout 2-flow	S960067AA	1 Set
1b	Lever-compl.	B960997AA	1 Set	11	O-Ring-set	S9673NU	1 Pcs.
2	Indices buttons blue/red	B961056NU	1 Set				
3	Headworks	A963317NU	1 Pcs.				
3a	1/2 se ceramic disc cart a/cl close	A963004NU	1 Pcs.				
	1/2 se ceramic disc cart cl close	A963003NU	1 Pcs.				
4	Body kitchen		1 Pcs.				
5	Base gasket		1 Pcs.				
6	Sealing washer 3/4" tail		2 Pcs.				
7	Connector G1/2xG1/2		2 Pcs.				
8	Packing washer		2 Pcs.				