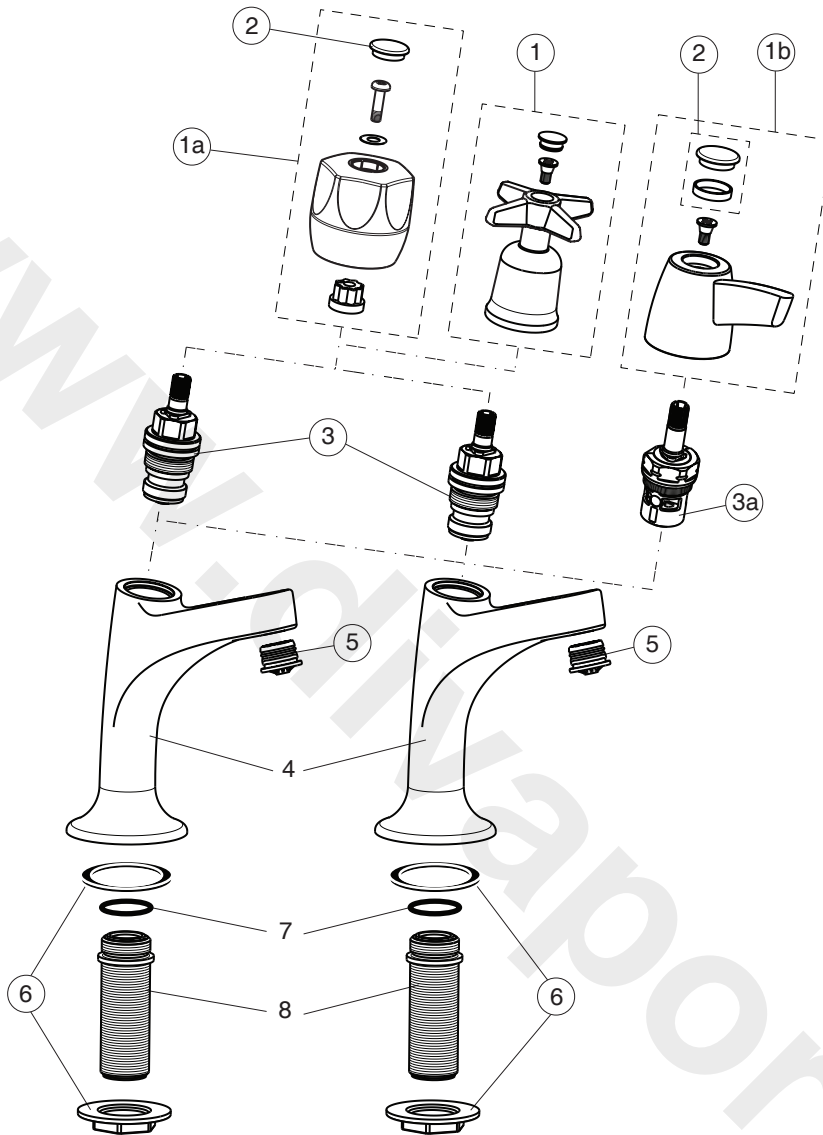
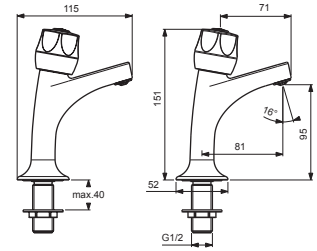


SANDRINGHAM 21

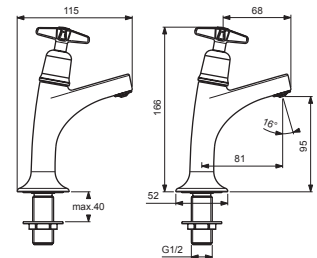
*Armitage
Shanks*



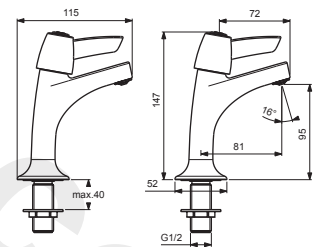
B9872AA



B9879AA



B9885AA



| Pos. | Signify | Spare parts-Nr. | Quantity | Pos. | Signify | Spare parts-Nr. | Quantity |
|------|--|-----------------|----------|------|---------|-----------------|----------|
| 1 | Cross handle-compl. | B960996AA | 1 Set | | | | |
| 1a | Handle-compl. | B960995AA | 1 Set | | | | |
| 1b | Lever-compl. | B960997AA | 1 Set | | | | |
| 2 | Indice buttons blue/red | B961056NU | 1 Set | | | | |
| 3 | Headworks | A963317NU | 1 Pcs. | | | | |
| 3a | 1/2 se ceramic disc cart a/cl close | A963004NU | 1 Pcs. | | | | |
| | 1/2 se ceramic disc cart cl close | A963003NU | 1 Pcs. | | | | |
| 4 | Body high neck pillar tap | | 2 Pcs. | | | | |
| 5 | Flow straightener | B960998NU | 2 Pcs. | | | | |
| 6 | Connecting group | B960480NU | 1 Set | | | | |
| 7 | O-Ring $\varnothing 18.2 \times 1.7$ | | 2 Pcs. | | | | |
| 8 | Connector G1/2xG1/2 | | 2 Pcs. | | | | |