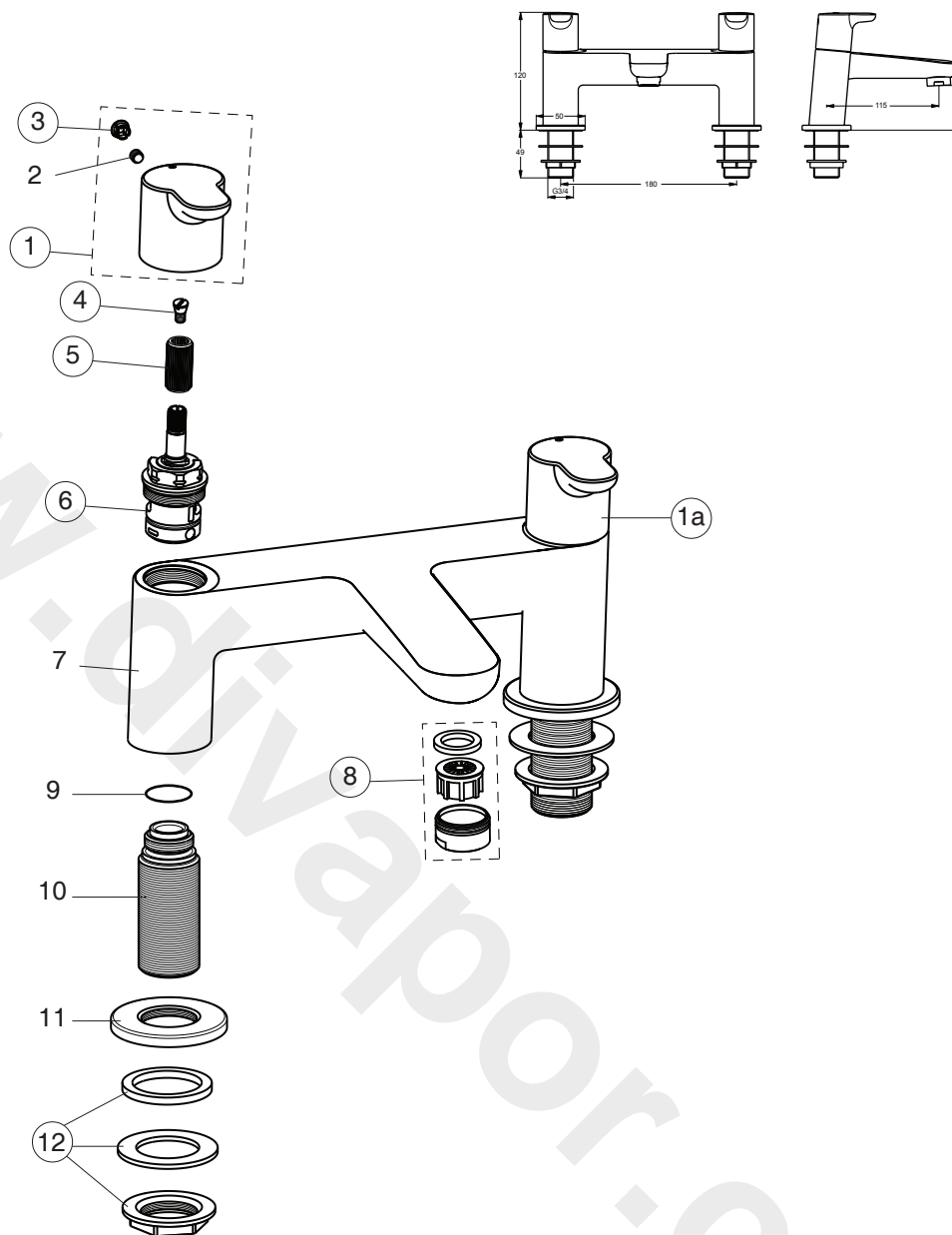


CONCEPT BLUE (B9929AA)



| Pos. | Signify | Spare parts-Nr. | Quantity | Pos. | Signify | Spare parts-Nr. | Quantity |
|------|---|-----------------|----------|------|--------------------|-----------------|----------|
| 1 | Handle(Red),w/logo-compl. B961018AA | | 1 Pcs. | 12 | Connecting set-3/4 | B960471NU | 2 Set |
| 1a | Handle(Blue),w/logo-compl. B961017AA | | 1 Pcs. | | | | |
| 2 | Screw M5x6 | | 1 Pcs. | | | | |
| 3 | Button | A961157NU | 1 Pcs. | | | | |
| 4 | Screw M4 | A961337NU | 1 Pcs. | | | | |
| 5 | Griff-insert | A963196NU | 1 Pcs. | | | | |
| 6 | Side valve cartridge | A961010NU | 1 Pcs. | | | | |
| | 3/4 cartridge for 3H side valve low frict | A960462NU | 1 Pcs. | | | | |
| 7 | Body bath filler 3/4 | | 1 Pcs. | | | | |
| 8 | Nozzle | A961625AA | 1 Pcs. | | | | |
| 9 | O-Ring $\varnothing 18.2 \times 1.7$ | | 2 Pcs. | | | | |
| 10 | Connector G3/4 | | 2 Pcs. | | | | |
| 11 | Rosette | | 2 Pcs. | | | | |