

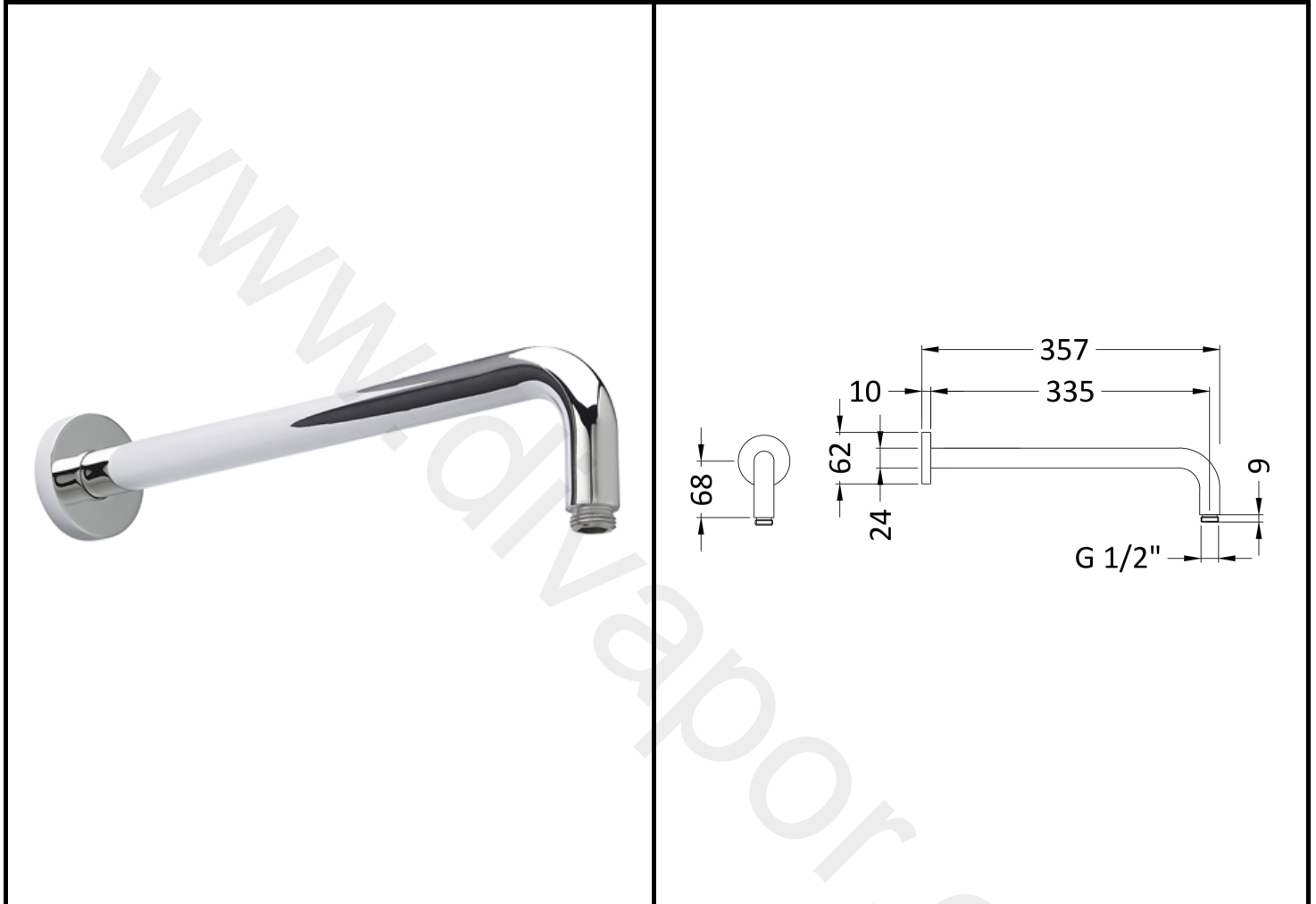
# B A Y S W A T E R

London W.2

**CODE:** BAYS351

**DESCRIPTION:** Wall Mounted Shower Arm

**CATEGORY:** Showers



| PRODUCT DIMENSIONS |            |             |            |             |
|--------------------|------------|-------------|------------|-------------|
| Length(mm)         | Width (mm) | Height (mm) | Depth (mm) | Nett Wgt Kg |
|                    | 62         | 99          | 320        | 0.3         |

| PACKAGING DIMENSIONS |            |             |              |
|----------------------|------------|-------------|--------------|
| Depth (mm)           | Width (mm) | Height (mm) | Gross Wgt Kg |
| 102                  | 38         | 420         | 0.5          |

| PACKAGING DATA |                     |              |             |
|----------------|---------------------|--------------|-------------|
| Box Colour     | White Cardboard Box |              |             |
| Box Qty        | 1                   | Label Colour | White Label |
| Label Size     | 100 x 50            | Label Qty    | 2           |

| OUTER BOX DIMENSIONS (If Applicable) |               |             |            |              |
|--------------------------------------|---------------|-------------|------------|--------------|
| Length (mm)                          | Width (mm)    | Height (mm) | Depth (mm) | Gross Wgt Kg |
|                                      | 430           | 365         | 430        | 19           |
| Barcode                              | 5055275890660 |             |            |              |

| PRODUCT DETAILS          |                |     |              |     |       |     |       |     |       |     |
|--------------------------|----------------|-----|--------------|-----|-------|-----|-------|-----|-------|-----|
| Coutry of Origin         | United Kingdom |     |              |     |       |     |       |     |       |     |
| Fitting Instruction      | No             |     |              |     |       |     |       |     |       |     |
| Product Material         | Brass          |     |              |     |       |     |       |     |       |     |
| Mount Type               | Wall, Surface  |     |              |     |       |     |       |     |       |     |
| Outlet Elbow Supplied    | No             |     |              |     |       |     |       |     |       |     |
| Easy Clean               | Not Applicable |     |              |     |       |     |       |     |       |     |
| Head Included            | No             |     |              |     |       |     |       |     |       |     |
| Handset Included         | Not Applicable |     |              |     |       |     |       |     |       |     |
| Body Jets Included       | No             |     |              |     |       |     |       |     |       |     |
| No of Body Jets          | Not Applicable |     |              |     |       |     |       |     |       |     |
| Operating Pressure (bar) |                |     |              |     |       |     |       |     |       |     |
| Valve/Cartridge Type     | Not Applicable |     |              |     |       |     |       |     |       |     |
| Flow Rates (L/min)       | 0.1 bar        | N/A | 0.5 bar      | N/A | 1 bar | N/A | 2 bar | N/A | 3 bar | N/A |
| TMV2 Approved            | No             |     | Approval No. |     | N/A   |     |       |     |       |     |
| TMV3 Approved            | No             |     | Approval No. |     | N/A   |     |       |     |       |     |
| WRAS Approved            | No             |     | Approval No. |     | N/A   |     |       |     |       |     |
| Head Function            | Not Applicable |     |              |     |       |     |       |     |       |     |
| Handset Function         | Not Applicable |     |              |     |       |     |       |     |       |     |
| Body Jet Info            | Not Applicable |     |              |     |       |     |       |     |       |     |
| Pipe Size                | Not Applicable |     |              |     |       |     |       |     |       |     |
| Pipe Centres             | Not Applicable |     |              |     |       |     |       |     |       |     |
| Colour/Finish            | Chrome         |     |              |     |       |     |       |     |       |     |
| Hose Included            | Not Applicable |     |              |     |       |     |       |     |       |     |