

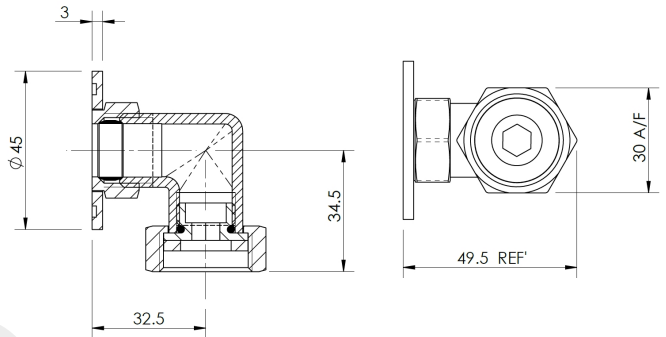
B A Y S W A T E R

London W.2

CODE: BAYS381

DESCRIPTION: Back To Wall Shower Elbow

CATEGORY: Showers



PRODUCT DIMENSIONS				
Length(mm)	Width (mm)	Height (mm)	Depth (mm)	Nett Wgt Kg
	50	50	50	0.1

PACKAGING DIMENSIONS			
Depth (mm)	Width (mm)	Height (mm)	Gross Wgt Kg
90	55	40	0.1

PACKAGING DATA			
Box Colour	White Cardboard Box		
Box Qty	1	Label Colour	White Label
Label Size	100 x 50	Label Qty	1

OUTER BOX DIMENSIONS (If Applicable)				
Length (mm)	Width (mm)	Height (mm)	Depth (mm)	Gross Wgt Kg
Barcode	5055275890738			

PRODUCT DETAILS	
Country of Origin	United Kingdom
Fitting Instruction	No
Product Material	Brass
Mount Type	Surface, Wall
Outlet Elbow Supplied	Not Applicable
Easy Clean	Not Applicable
Head Included	No
Handset Included	Not Applicable
Body Jets Included	Not Applicable
No of Body Jets	Not Applicable
Operating Pressure (bar)	
Valve/Cartridge Type	Not Applicable

Flow Rates (L/min)	0.1 bar	N/A	0.5 bar	N/A	1 bar	N/A	2 bar	N/A	3 bar	N/A
TMV2 Approved	No		Approval No.		N/A					
TMV3 Approved	No		Approval No.		N/A					
WRAS Approved	No		Approval No.		N/A					
Head Function	Not Applicable									
Handset Function	Not Applicable									
Body Jet Info	Not Applicable									
Pipe Size	Not Applicable									
Pipe Centres	N/A									
Colour/Finish	Chrome									
Hose Included	Not Applicable									