

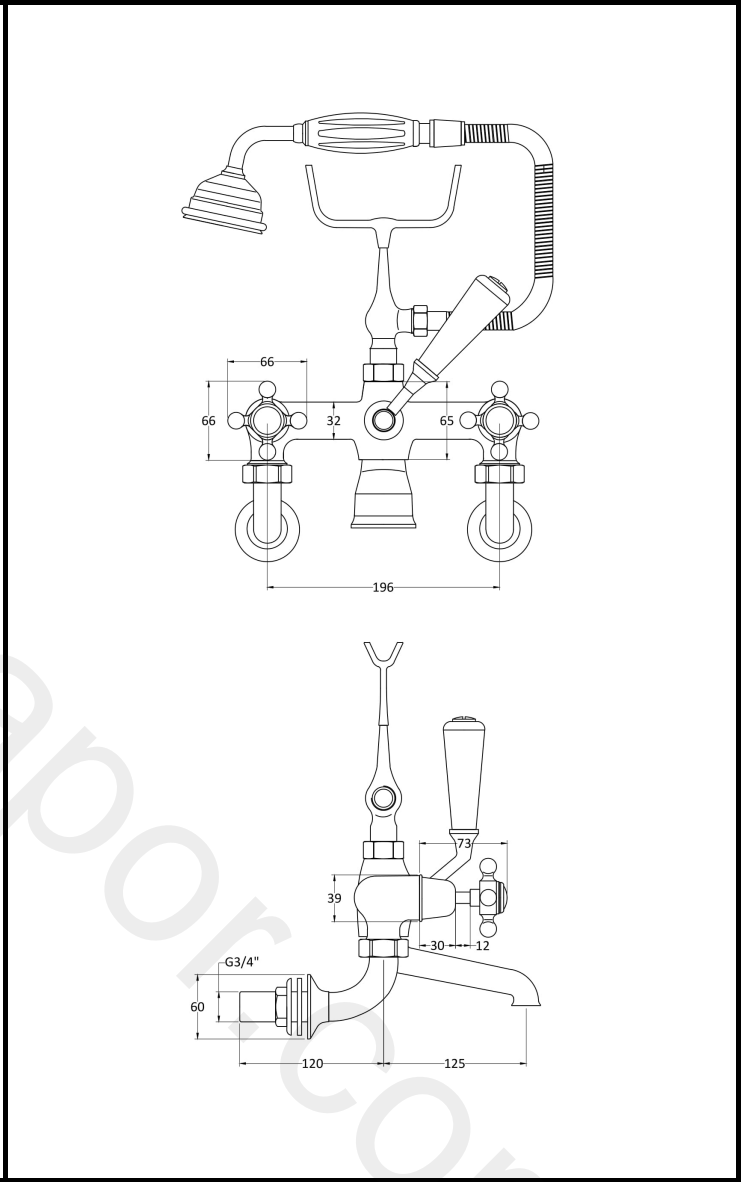
B A Y S W A T E R

London W.2

CODE: BAYT250

DESCRIPTION: Wall Mounted Bsm/Xhead/Dome Collar

CATEGORY: Taps



| PRODUCT DIMENSIONS | | | | |
|--------------------|------------|------------|-------------|-------------|
| Height (mm) | Width (mm) | Depth (mm) | Length (mm) | Nett Wgt Kg |
| 320 | 350 | 155 | | 4.7 |

| PACKAGING DIMENSIONS | | | |
|----------------------|------------|------------|--------------|
| Height (mm) | Width (mm) | Depth (mm) | Gross Wgt Kg |
| 330 | 232 | 150 | 4.9 |

| PACKAGING DATA | | | |
|----------------|---------------------|--------------|-------------|
| Box Colour | White Cardboard Box | | |
| Box Qty | 1 | Label Colour | White Label |
| Label Size | 100 x 50 | Label Qty | 1 |

| OUTER BOX DIMENSIONS (If Applicable) | | | | |
|--------------------------------------|---------------|------------|-------------|--------------|
| Height (mm) | Width (mm) | Depth (mm) | Length (mm) | Gross Wgt Kg |
| 330 | 520 | 360 | | 23 |
| Barcode | 5055275896167 | | | |

| PRODUCT DETAILS | |
|--------------------------|-----------------------|
| Country of Origin | United Kingdom |
| Fitting Instruction | Yes |
| Product Material | Brass |
| Control Type | Manual |
| Waste Included | Waste Not Included |
| WRAS Approval | No Approval No. N/A |
| Operating Pressure (bar) | 0.2 |
| Valve/Cartridge Type | 1/4 Turn Ceramic Disc |

| | |
|--------------------|---------------------------------|
| Colour/Finish | Chrome |
| Mount Type | Wall |
| Waste Type | Not Applicable |
| Flow Rates (L/min) | 0.1 10.6 0.5 1 41.4 2 59 3 72.8 |
| Pipe Size | 22 mm (3/4" Bsp) |
| Pipe Centres | 196mm |