

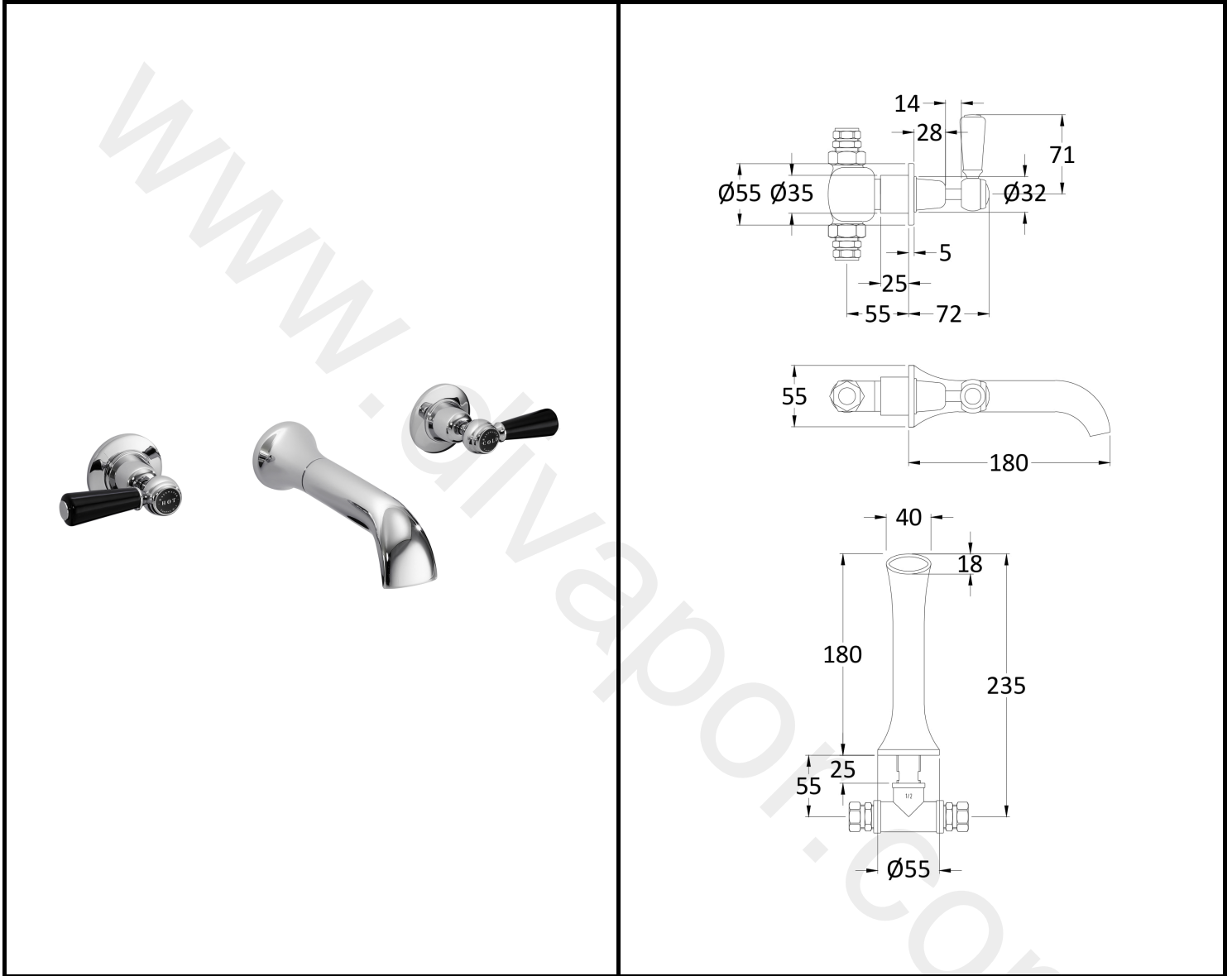
B A Y S W A T E R

London W.2

CODE: BAYT352

DESCRIPTION: Wall Mount 3Th Basin Tap Dome Lever

CATEGORY: Taps



PRODUCT DIMENSIONS

Height (mm)	Width (mm)	Depth (mm)	Length (mm)	Nett Wgt Kg
55		180		2

PACKAGING DATA

Box Colour	White Cardboard Box			
Box Qty	1	Label Colour	White Label	
Label Size	100 x 50	Label Qty	1	

PACKAGING DIMENSIONS

Height (mm)	Width (mm)	Depth (mm)	Gross Wgt Kg
65	350	213	2

OUTER BOX DIMENSIONS (If Applicable)

Height (mm)	Width (mm)	Depth (mm)	Length (mm)	Gross Wgt Kg
Barcode	5056211865421			

PRODUCT DETAILS

Country of Origin	China			
Fitting Instruction	No			
Product Material	Brass			
Control Type	Manual			
Waste Included	Waste Not Included			
WRAS Approval	No	Approval No.	N/A	
Operating Pressure (bar)	0.1			
Valve/Cartridge Type	1/4 Turn Ceramic Disc			

Colour/Finish	Chrome			
Mount Type	Wall			
Waste Type	Not Applicable			
Flow Rates (L/min)	0.1	8	0.5	1 27.5 2 39.4 3 47.8
Pipe Size	15 mm (1/2" Bsp)			
Pipe Centres	N/A			