

SPECIFICATION SHEET

COLLECTION: AXBRIDGE

PRODUCT CODE: BC-AXB-250-CP



DESCRIPTION:

Axbridge
mono kitchen mixer
deck mounted
with swivel spout
Lever Handles
with water flow straightener
1/4 turn ceramic disc valves
Cartridge FL-501-LTC & FL-501-RTC
2 x 1/2" x 400mm flexipipe connections
deck mount drill hole diameter 35mm
minimum operating pressure 0.2 bar LP

FINISH:

Chrome

FLOW REGULATOR:

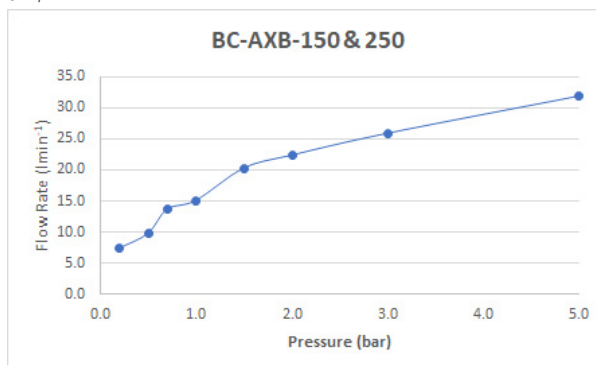
FR-FLEXI/8-PLA (2 are required)

MINIMUM OPERATING PRESSURE:

0.2 bar LP

FLOW RATE AT 3.0 BAR FLOW PRESSURE:

32 l/min



BOOTH & Co.
ENGLAND

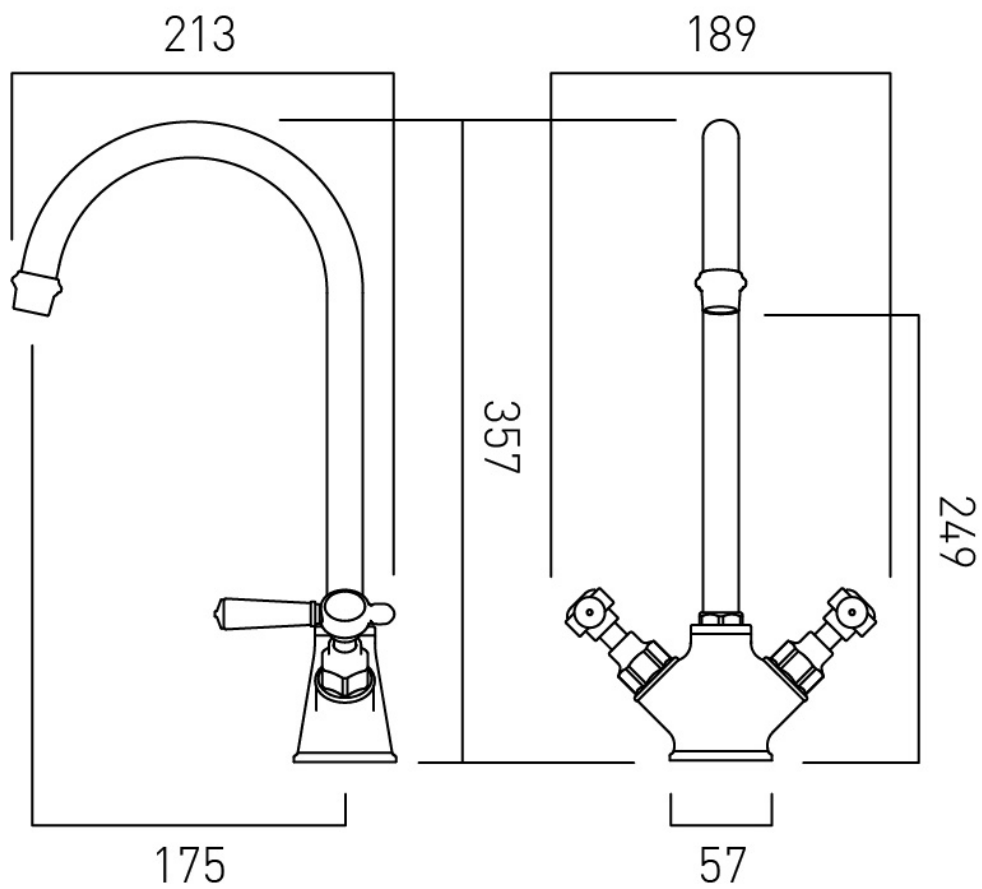
Timeless Design. Pioneering Performance.

Your journey to distinction awaits.

TECHNICAL DRAWING

COLLECTION: AXBRIDGE

PRODUCT CODE: BC-AXB-250-CP



BOOTH & Co.
ENGLAND

Timeless Design. Pioneering Performance.

Your journey to distinction awaits.

01934 744466 | sales@vado.com | www.vado.com/booth-and-co