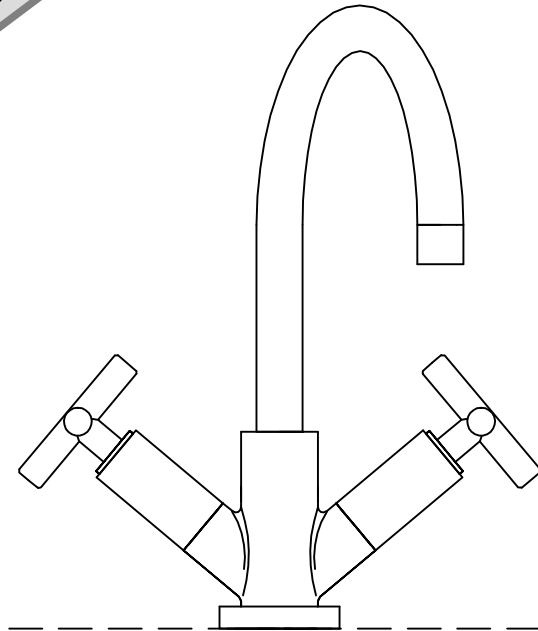


General fitting guide for Mono basin & bidet mixers

Monobloc body and
handles shown will
vary depending
on model.



Helpline

01282 446789

**Consult a qualified plumber if you
have any problems installing this product.**

**Consult a qualified plumber if you
have any problems installing this product.**

The Company reserves the right to continually evolve its product line without notification. The Company will not accept any liability regarding specification changes and their consequences unless previously quoted by the Company in writing.



Brassware Helpline:- 01282 446789

INTRODUCTION

The model supplied may vary from the image shown. For example, your chosen product may have a single lever handle to control the operation rather than the separate controls we have shown here, or flexible supply pipes may have been supplied instead of the rigid inlet pipes shown in the diagram. Please note that the general installation process for all Mono basin / bidet fittings is the same, and the following guide will take you through the process.

MANUFACTURING STANDARDS

Fittings are designed and produced to conform to BS5412, EN200 and/or WRc/NSF requirements.

AFTERCARE

During installation, extra care must be taken to avoid damaging the fitting or its finish. To maintain the appearance of the fitting, please ensure it is cleaned regularly using a clean soft damp cloth only. Abrasive cleaners or detergents must not be used as they may cause surface deterioration.

FITTING PROCEDURE

Note: Certain fitting parts may vary from illustration

1. Insert threaded bar into base of fitting.
2. Place fitting through hole in basin.
3. Apply rubber washer to underside of basin.
4. Apply metal clamp to underside of basin.
5. Screw the fixing nut on to threaded bar and tighten.
6. Install waste into basin using the tapered washer or suitable sealant.
7. Apply sealing washer to underside of basin.
8. Tighten lower part of waste body until seal is made ensuring that the pop-up rod inlet faces to the rear of the basin.
9. Insert long pop-up rod through hole in fitting.
10. Attach short pop-up rod into waste body.
11. Fix pop-up rods together using the hinge provided ensuring correct operation of the pop-up.
12. Carefully install the inlet pipes (style may vary) into the fitting. It is not necessary to overtighten these pipes.
13. Earth any new pipes adequately. Seek expert advice if in doubt.
14. Connect water supply pipes to inlet pipes, ensuring isolating valves (not supplied) are in position.
15. Ensure tap valves are in open position.
16. Open isolating valves.
17. Turn on water supply and allow to run for a few minutes to flush out any debris.
18. Check for leaks.

