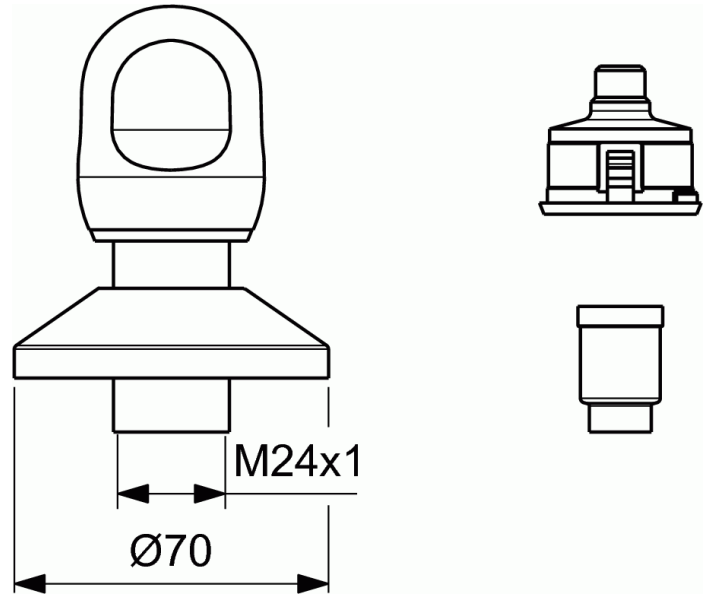
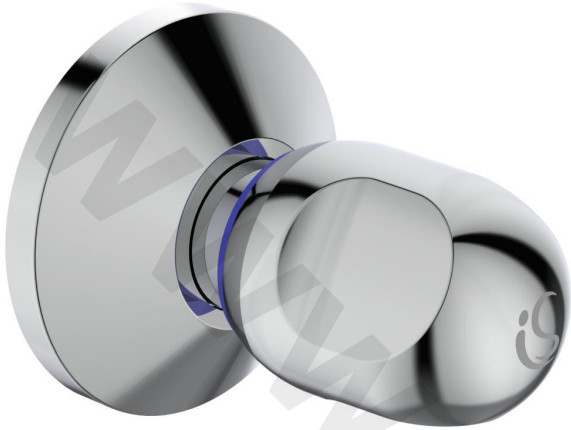


## CERATHERM 100 NEW

### New built-in stop valve



#### New built-in stop valve

Kit 2 version (visible part)

Plastic escutcheon, chrome

Plastic handle, logo Ideal Standard

Insert for handle Blue color (insert for handle Red color - separately into the box)

To be used only in combination with:

- BC461NU Kit 1 G1/2 (internal part) (See Section Built-in parts)
- BC462NU Kit 1 G3/4 (internal part) (See Section Built-in parts)

#### FINISHES\*



\* AA = Chrome