

BC633

DOLPHIN ELECTRONIC SOAP DISPENSER

INSTALLATION AND MAINTENANCE GUIDE



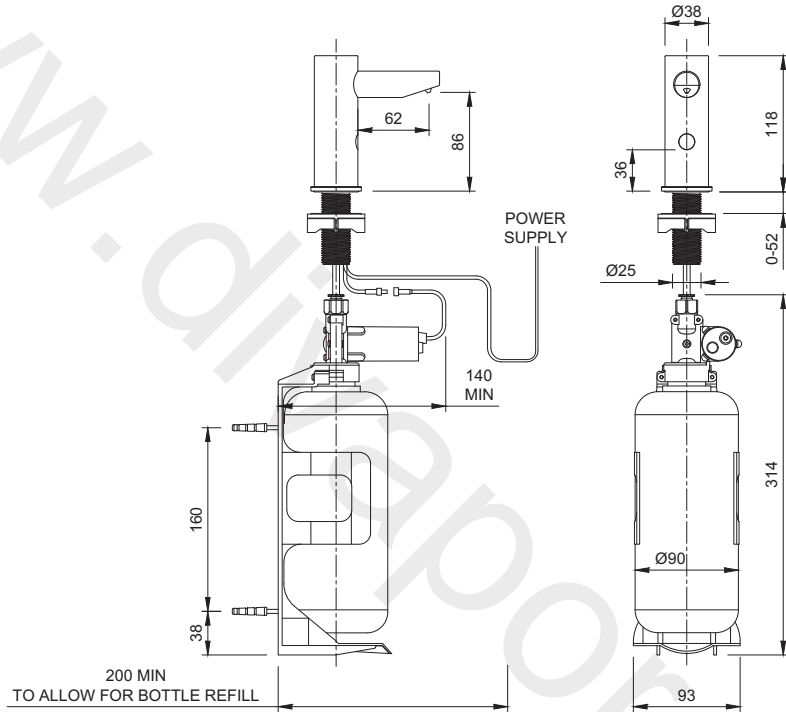
October 2020

D
DOLPHIN
PRESTIGE

INDEX

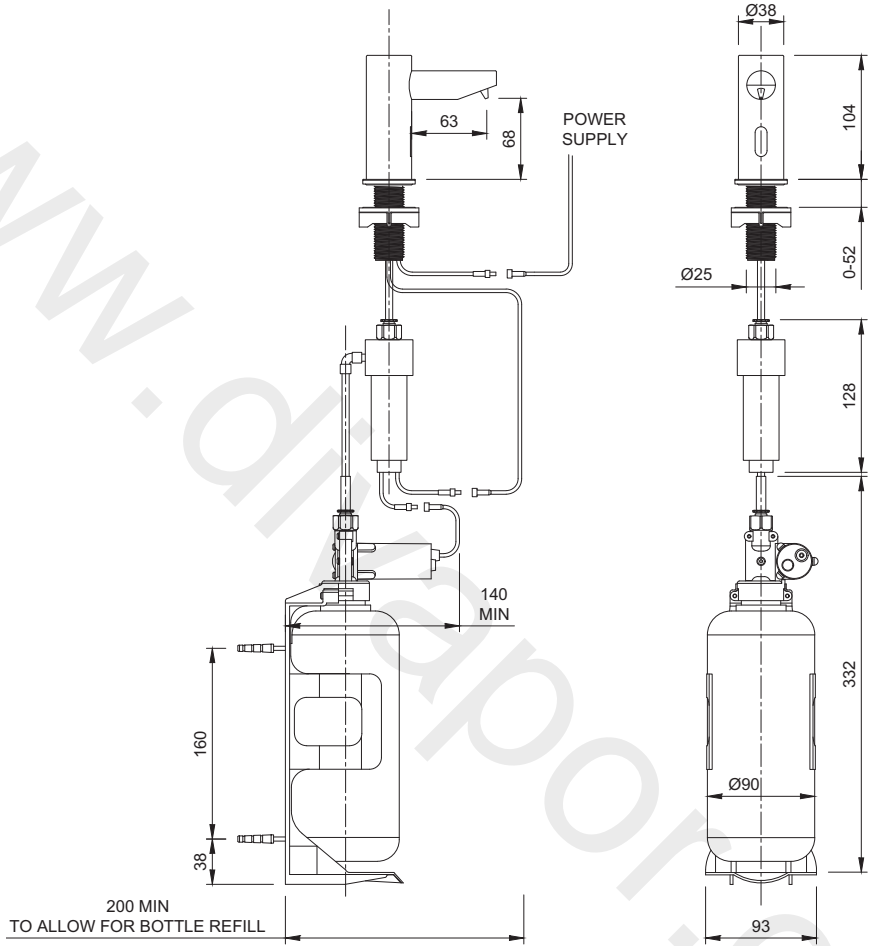
- 3 Technical Data
- 5 Pre-Installation Info
- 6 Pack Contents
- 7-9 Installation
- 10 Filling The Soap Tank
- 11 Settings Adjustment
- 12 Battery Replacement
- 13 Spare Parts List
- 14 Maintenance
- 15 Limited Warranty
- 17 Trouble Shooting

TECHNICAL DATA



BC633

Capacity	1 Litre/ 33.8 oz.
Battery models:	IP 67 Battery Box for 6xD Alkaline batteries
Mains models:	9V transformer or 12V transformer
Soap viscosity:	100 – 3800 cPs
Standard discharge:	1.4cc, Adjustable
Sensor range:	30-100 mm +/- 10 mm (Adjustable by remote control)



BC633F

PRE INSTALLATION INFORMATION

Check contents

Separate all parts from the packaging and check each part with the "Pack contents" section.

Make sure all parts are accounted for before discarding any packaging material.

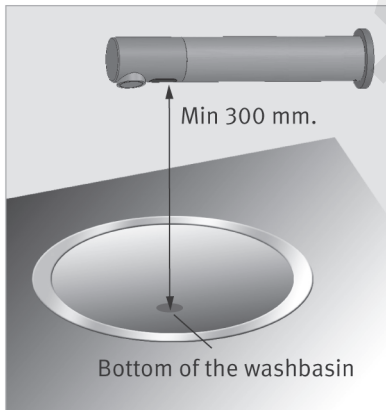
If any parts are missing, do not attempt to install your touch free soap dispenser until you obtain the missing parts.

Warnings

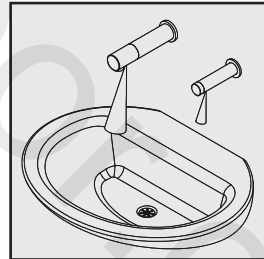
Do not install the system facing a mirror or any other electronic system operated by an infra-red sensor.

To prevent reflection problems, it is recommended to keep a minimum distance of 1.5 metres between the soap dispenser and any other objects.

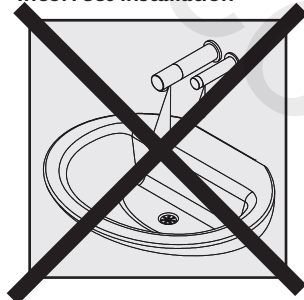
IMPORTANT: Keep in mind that the location of the user hands, while using the tap nearby should not interfere with the soap dispenser sensor detection area.



Correct Installation



Incorrect installation



PACK CONTENTS

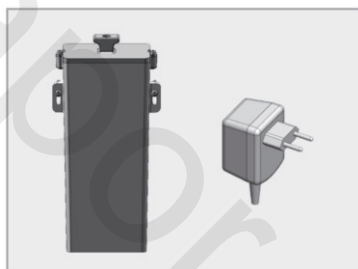
Familiarise yourself with the part names and confirm that the parts are included.



1 x body and fixing accessories



1 x soap tank with bottle support and pump assembly

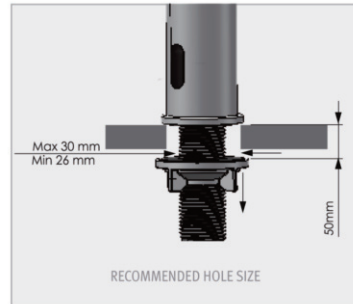


1 x IP 67 battery box for 6xd alkaline batteries \ transformer

INSTALLATION

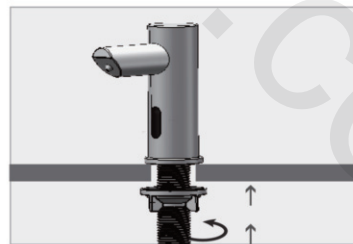
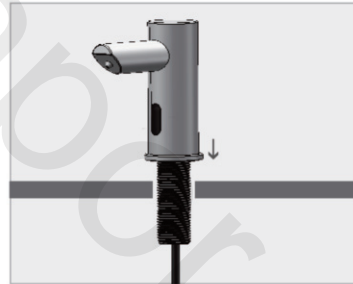
Step 1 – remove all mounting hardware

Remove the nut, the disk and the gasket from the base of the soap dispenser body.



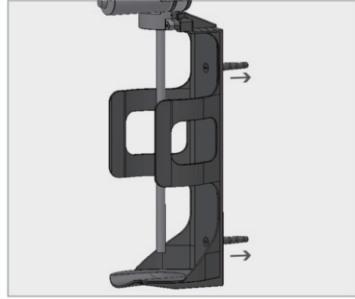
Step 2 – installing the soap dispenser

- 1 Place the soap dispenser body along with the bottom ring into the hole in the deck or lavatory.
- 2 Under the deck, slide the gasket, disk and nut over the soap dispenser body nipple and secure it firmly

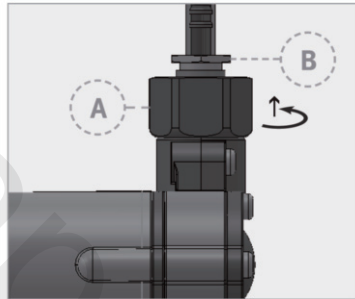


INSTALLATION

- 3 Fix the bottle with bottle support to the desired location.



- 4 Screw in the nut (Marked A) at the top of the soap dispenser pump assembly to the nipple (Marked B) that is located at the end of the tube of the soap dispenser body.



Step 3 – connecting the power source

- I Remove the protective sticker covering the sensor. Keep away from the sensor range.



INSTALLATION

- 2 Connect the motor connector to its power source connector. Please note that since the connector is water proof, some friction might apply



IMPORTANT: the 4 contacts connector should be connected properly so that the white o-ring is not visible and a clicking sound is heard.

PAY ATTENTION: If the 4 contacts connectors will not be connected properly, the motor will work continuously.

- 2A For battery versions: install the battery box at the wall underneath the sink and connect the battery connector



- 2b For transformer versions: plug the transformer into the electricity socket and connect the transformer connector

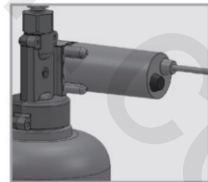
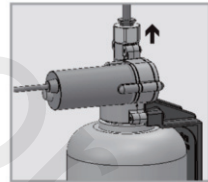
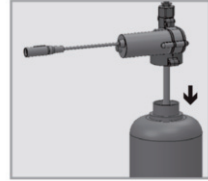


- 3 Wait about 10 seconds before you put your hands within the sensor range.



FILLING THE SOAP TANK

- 1 Unscrew the soap tank from the pump assembly and pull it out of the bottle support.
- 2 Fill in the liquid soap up to the top line.
- 3 Insert the bottle inside the bottle support.
- 4 Screw the soap tank back to the pump assembly. Make sure the tank is firmly secured into place.
- 5 Press the refill button located at the back of the pump assembly until soap starts coming out of the soap dispenser spout. This operation can also be done using the soap dispenser remote control Refill function.
- 6 NOTE: Once the soap in the soap tank has reached the bottom line the soap tank should be refilled. To refill the soap tank please refer to steps 1-5.



SETTINGS ADJUSTMENTS WITH REMOTE CONTROL

If desired, use the remote control to adjust the soap dispenser settings. Hold the remote control straight in front of the sensor in a distance of about 10-15cm.

Attention: Holding the soap dispenser remote control out of the recommended range (too close or too far) may interfere with the remote's activation.

Choose the function you want to adjust by pressing on the function button as follows:

1 SOAP QUANTITY

The 1-4 drop keys allow the user to choose the desired soap quantity.

1: 0.2 to 0.4 **2:** 0.7 to 0.9 **3:** 1.2 to 1.6 **4:** 2.1 to 2.3

Indication: continues blink of the red light in the sensor eye.

* The exact soap dosage depends on the soap viscosity.



2 ADJ

This function allows coming back to soap quantity factory settings. Press the ADJ button. Indication: 2 blinks of the red light in the sensor eye.

3 TEMPORARY OFF FUNCTION

This function is ideal to perform any kind of activity in front of the sensor without operating the system (for example, cleaning). The soap dispenser will remain shut for 1 minute when this button is pressed once. To cancel this function and to return to normal operation press the On/Off button again or wait 1 minute.

Indication: OFF – 2 fast blinks, ON – 4 fast blinks

4 REFILL THE SOAP TANK

Once the soap tank has been refilled, press the FILL button. The pump would work for one minute in order for the soap to start coming out of the soap dispenser spout. To stop this activity press the FILL button again.

BATTERY REPLACEMENT

Battery models only

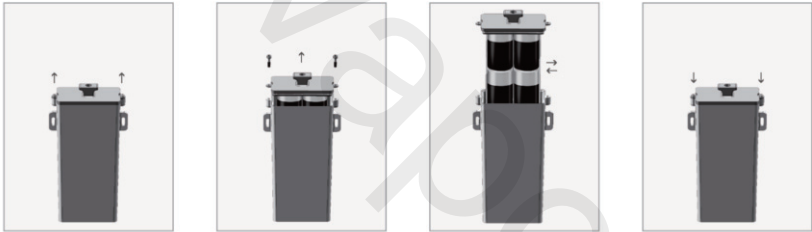
When the battery weakens, the red indicator light will blink at a constant rate when the user's hands are within the sensor range. The battery must be replaced within two weeks.

To replace the battery in battery models:

1. Carefully open the battery box, use 2.5 mm Allen key
2. Remove the old batteries
3. Replace the used batteries with new D batteries

NOTE: Do not mix used batteries with new ones.

4. Close the box.



Important: Spent batteries should not be disposed of with normal household waste. Contact your local authority for information on waste disposal and recycling.



SPARE PARTS LIST

Sensor for BC633	BC07220250
Soap bottle 1L	BC07100020
12V Transformer	BC06522086
Soap dispenser pump assembly	BC07222028
Remote control	BC07100008
IP 67 Battery Box for 6xD Alkaline batteries	BC06530041
Bottle support 1 litre	BC07120175

MAINTENANCE

Care and cleaning of chrome and special finishes

DO NOT use steel wool or cleansing agents containing alcohol, acid, abrasives, or the like. Use of any prohibited cleaning or maintenance products or substances could damage the surface of the soap dispenser. For surface cleaning use ONLY soap and water; then wipe dry with a clean cloth or towel. When cleaning bathroom tiles, the soap dispenser should be protected from any splattering of harsh cleansers.

LIMITED WARRANTY

DOLPHIN SOLUTIONS LTD warrants that its electronic products will be free of defects in material and workmanship during normal use for two years from the date the product is purchased.

If a defect is found in normal use, Dolphin Solutions will, at its discretion, repair, provide a replacement part or product, or make appropriate adjustments. Damage caused by accident, misuse, or abuse is not covered by this warranty. Improper care and cleaning will void the warranty. Proof of purchase (original sales receipt) must be provided to Dolphin with all warranty claims.

Dolphin Solutions is not responsible for labor charges, installation, or other incidental or consequential costs other than those noted above. In no event shall the liability of Dolphin exceed the purchase price of the product.

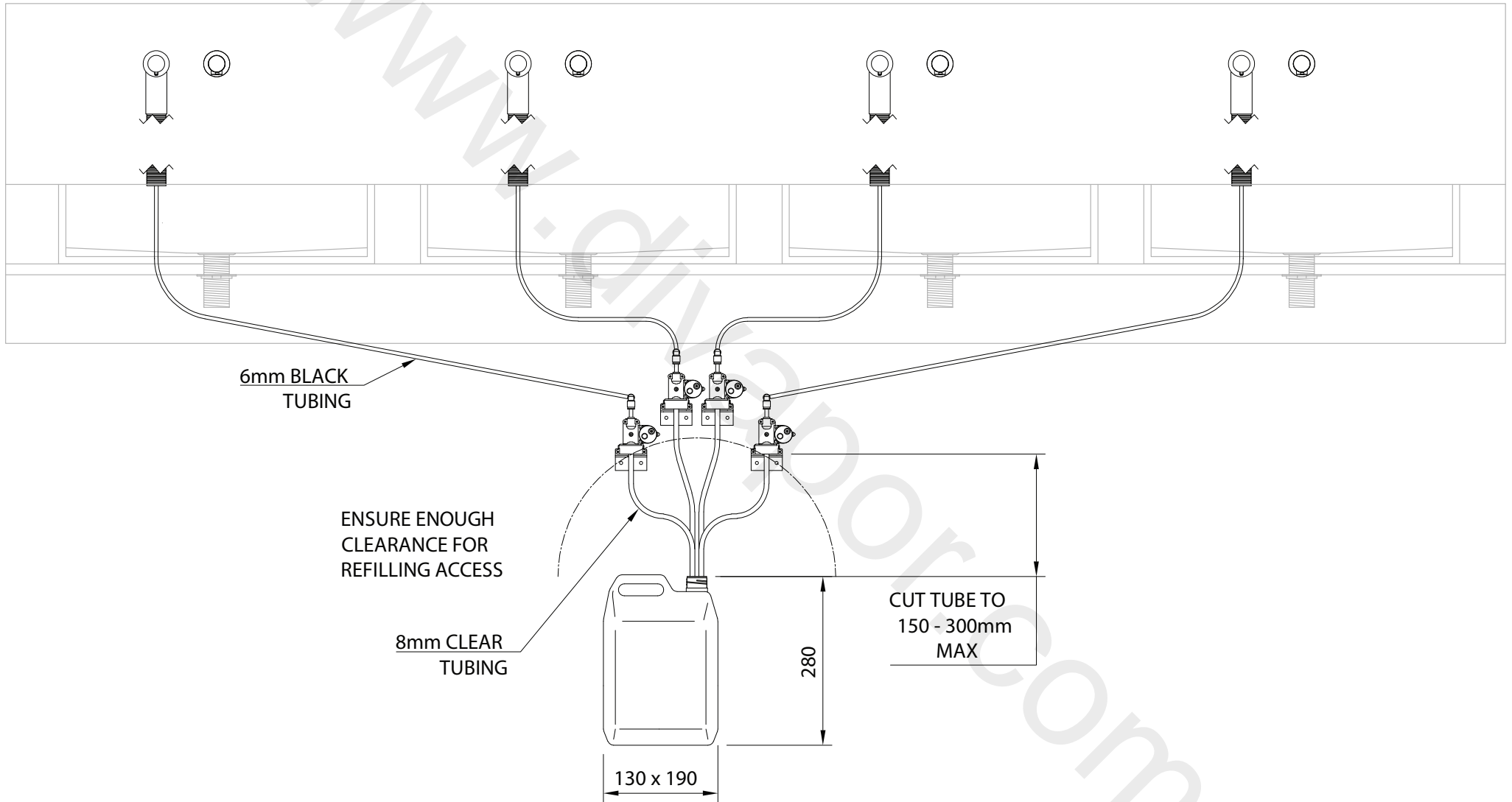
If you believe that you have a warranty claim, contact your Dolphin Solutions' Distributor, Dealer or Plumbing Contractor. Please be sure to provide all pertinent information regarding your claim, including a complete description of the problem, the product, model number, the date the product was purchased, from whom the product was purchased and the installation date. Also include your original invoice.

DOLPHIN SOLUTIONS AND/OR SELLER DISCLAIM ANY LIABILITY FOR SPECIAL, INCIDENTAL OR CONSEQUENTIAL DAMAGES. This warranty excludes product damage due to installation error; incorrect maintenance, wear and tear, battery, product abuse, or product misuse, whether performed by a contractor, service company, or the consumer. This warranty does not cover product damage caused by the following:

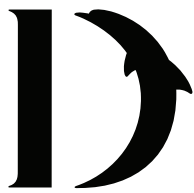
- Incorrect installation.
- Improper manipulation, tampering, bad or lapsed maintenance.

TROUBLESHOOTING

PROBLEM	INDICATOR	CAUSE	SOLUTION
No soap coming out of the spout	Red light in the sensor flashes continuously when the user's hands are within the sensor's range.	Low battery.	Replace battery. <i>Refer to page 9</i>
		Soap has run low or completely out.	Refill the soap tank. <i>Refer to page 7</i>
		The soap tank has been filled but soap has not reached the spout.	Press the refill button located at the bottom of the pump until soap starts to come out of the spout again.
		The connectors between the motor and the electronic unit are not connected properly.	Connect the connectors properly so that the white o-ring is not visible.
Red light in the sensor does not flash (once) when user's hands are within the sensor's range.	Red light in the sensor flashes (once) and the motor is operating.	Sensor is picking up reflections from the washbasin or another object.	Eliminate cause of reflection.
		Connectors between the electronic unit and power source are disconnected or not properly connected.	Connect the electronic unit connectors to the power source connector.
		Battery is completely used up.	The battery must be replaced. <i>Refer to page 9</i>
Red light flashes (once) and the motor operates.	Soap solidification at the pipe.		Fill the bottle with hot water at 50/60C and run the pump constantly.
Soap coming out from the spout does not stop		The connectors between the motor and the electronic unit are not connected properly.	Connect the connectors properly so that the white o-ring is not visible.



www.divapor.com



D O L P H I N

Dolphin Solutions Ltd

Southpoint, Compass Park, Bodiam,
Robertsbridge, TN32 5BS

Tel: +44 (0)1424 20 22 24

Fax: +44 (0)1424 205 200

info@dolphinsolutions.co.uk

www.dolphinsolutions.co.uk