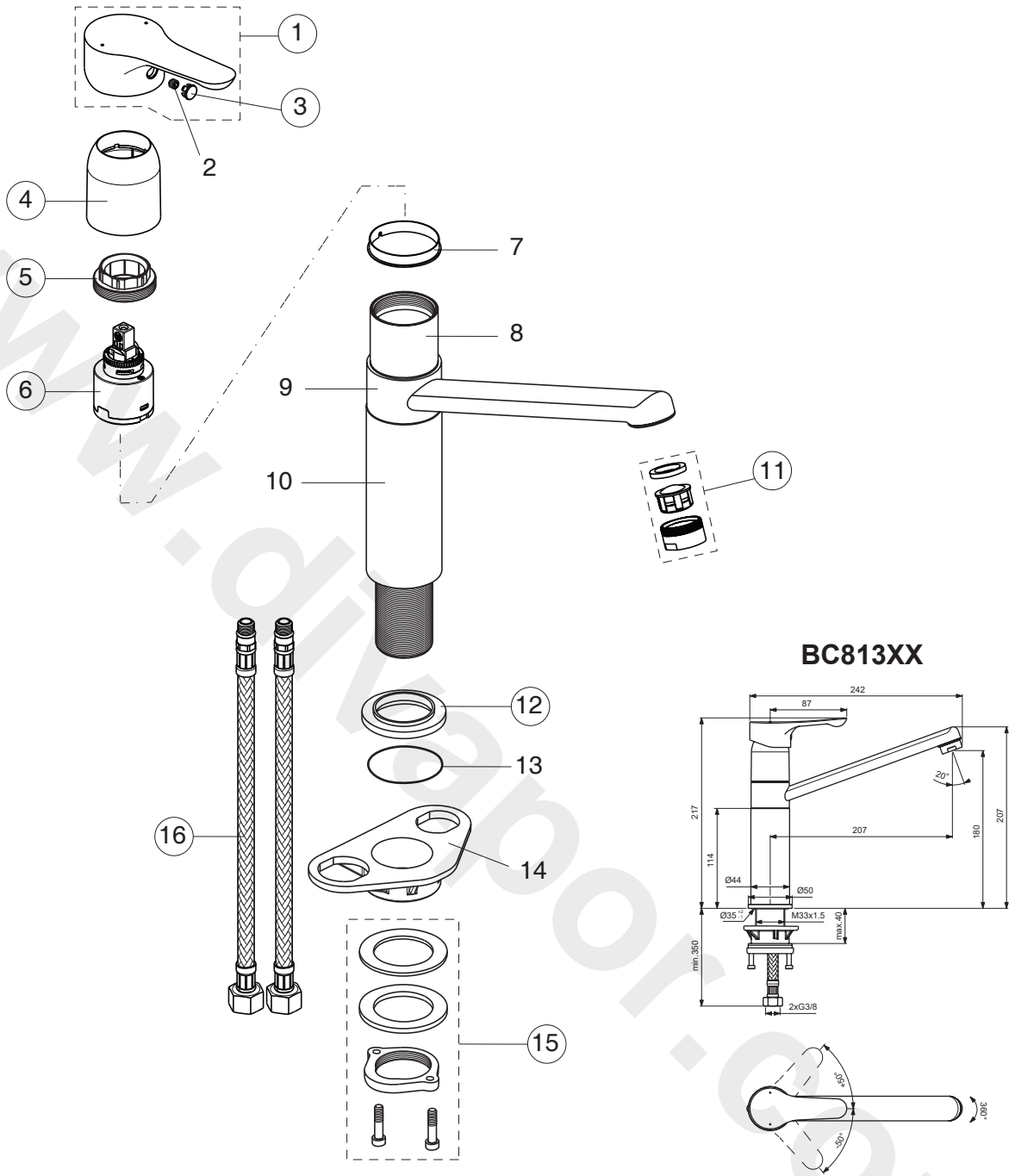


# ALPHA



For XX = Coverage - Designate:  
 AA=chrome, Q9=champagne pearl/chrome  
 U4=matt black ral 9005/chrome, U8=grey pearl/chrome

For Instance:  
 B 961564 AA for chrome

Pos.	Signify	Spare parts-Nr.	Quantity	Pos.	Signify	Spare parts-Nr.	Quantity
1	Lever,w/logo-compl.	B961564AA	1 Set	15	Connecting group	B960255NU	1 Set
2	Screw M5x6		1 Pcs.	16	Flex pexhose G3/8	A963685NU	1 Pcs.
3	Cap decorative	B964696NU	1 Pcs.		M10x1C/8x12/L550		
4	Escutcheon	B961211AA	1 Pcs.				
5	Screw M37x1.5	B964698NU	1 Pcs.				
6	Cartridge Ø35mm,w/click	B961478NU	1 Pcs.				
7	Support ring		1 Pcs.				
8	Manifold		1 Pcs.				
9	Body kitchen		1 Pcs.				
10	Distance bushing		1 Pcs.				
11	Casc.perlator M24x1-A	A960321AA	1 Pcs.				
12	Rosette decorative	B960712AA	1 Pcs.				
13	O-Ring Ø37.77x2.62		1 Pcs.				
14	U plate support bracket fixing kit		1 Pcs.				