

BCL632 / BCL636

# DOLPHIN PANEL MOUNTED FOAM SOAP DISPENSER

INSTALLATION AND MAINTENANCE GUIDE

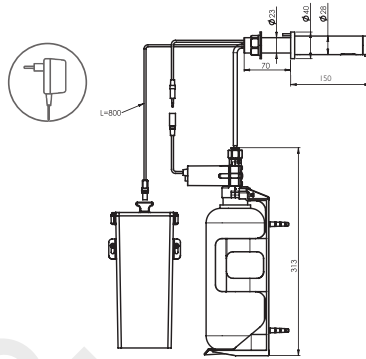


March 2021

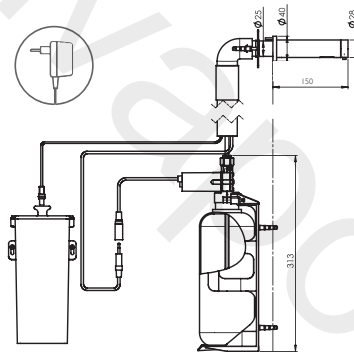
# INDEX

3	Technical Data
4	Pre-Installation Information
5-6	Pack Contents
7-11	Installation
12	Filling The Soap Tank
13	Settings Adjustment With a Remote Control
14	Battery Replacement
15	Maintenance Care and cleaning of chrome and special finishes
16	Spare Parts List
17	Warranty
18	Trouble Shooting

## TECHNICAL DATA



BCL632



BCL636

Capacity	1 litre
Power Supply	IP 67 Battery Box for 6xD Alkaline batteries / Transformer
Soap viscosity	100 – 3800 cPs
Standard discharge:	0.8cc, Adjustable
Sensor Range:	30-100 +/- 10mm, Adjustable with remote control

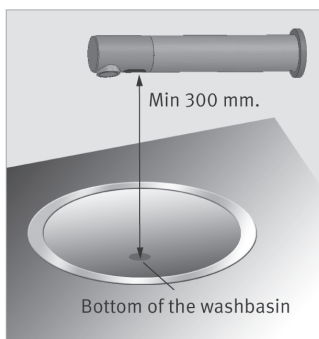
# PRE INSTALLATION INFORMATION

## CHECK CONTENTS

- › Separate all parts from the packaging and check each part with the "Pack contents" section.
- › Make sure all parts are accounted for before discarding any packaging material. If any parts are missing, do not attempt to install your touch free soap dispenser until you obtain the missing parts.

## WARNINGS

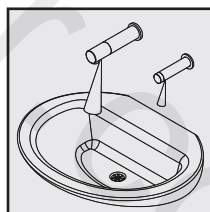
- › Highly reflective surfaces directly beneath the sensor of this product, in particular polished finish basin wastes/ strainers, will cause false activation of the infrared sensors and can result in malfunction. We recommend satin or matt finish products which can be found on our website.
- › It is very important to allow permanent access to the mounting tail/nut of this product for future servicing and repair. Where this is not possible see our wall plate mounted products.
- › To avoid reflection problems keep a distance of more than 300 mm. between the sink and the spout.
- › This tap model, with an infrared sensor pointing down, is not intended to be used together with a sink of a reflective material such as stainless steel.



**Important:** Keep in mind that the location of the user hands, while using the tap nearby should not interfere with the soap dispenser sensor detection area.

- › If a sink strainer is straight below the tap sensor; use a strainer with a non reflective finish (do not use a chrome plated one).

### Correct Installation

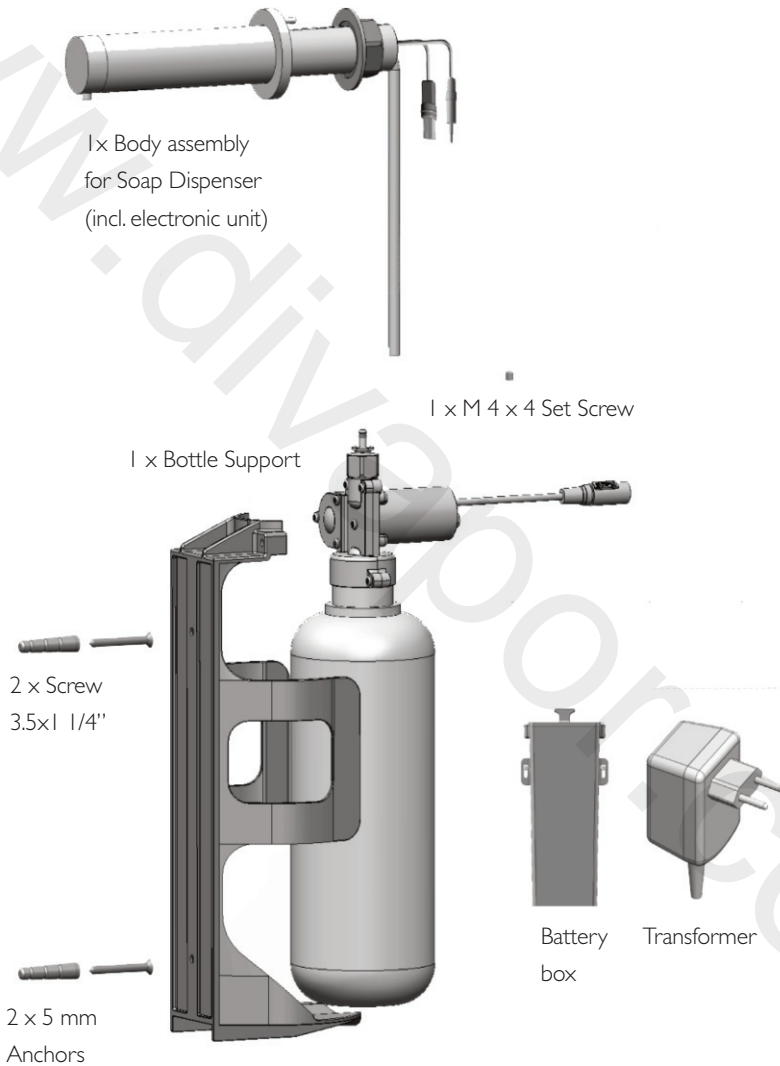


### Incorrect installation



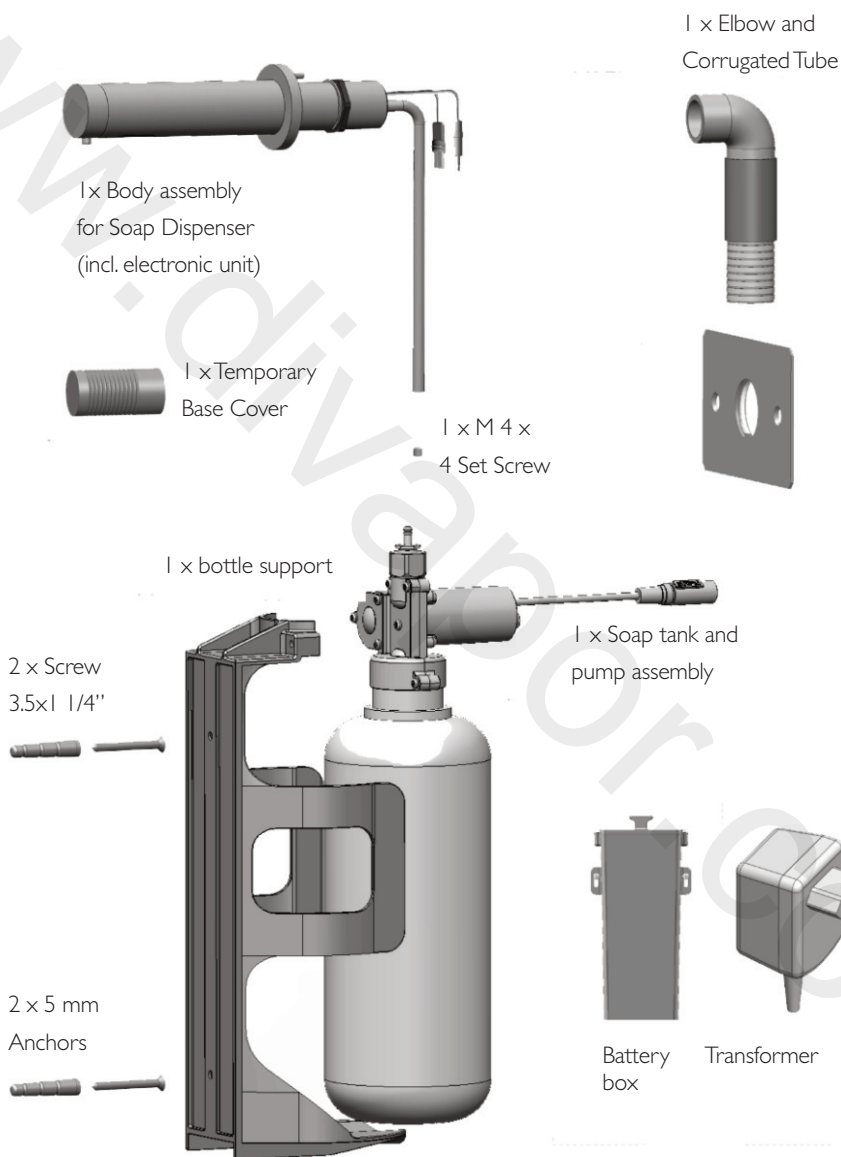
# PACK CONTENTS BCL632/ BCL636

Familiarise yourself with the part names and confirm that the parts are included.



# INSTALLATION WALL PLATE VERSION

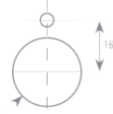
enquire for details



# INSTALLATION

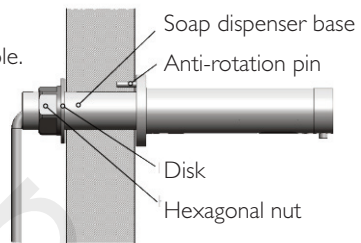
## STEP 1 – PREPARING FOR INSTALLATION

1. Drill a hole (23 to 24 mm) at the desired location for the soap dispenser spout installation.
2. Drill a small hole (3.2 mm) just above the previous one for the anti-rotation pin, according to the diagram.
3. Remove the hexagonal nut and the disk from the base of the soap dispenser spout.

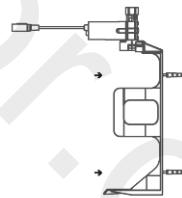


## STEP 2 – INSTALLING THE SOAP DISPENSER

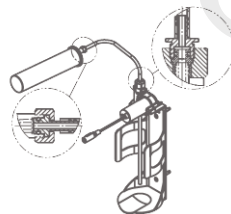
1. Insert the Soap dispenser base.
2. Insert the anti-rotation pin into the small hole.
3. Fix the base behind the wall with the hexagonal nut and the disk.



4. Fix the bottle support to the desired location.



5. Assemble the tube from the pump to the soap dispenser:



# INSTALLATION BCL632 / BCL636

## STEP 3 – CONNECTING THE POWER SOURCE

1. Remove the protective sticker covering the sensor.  
Keep away from the sensor range and check that no objects are in front of the sensor.



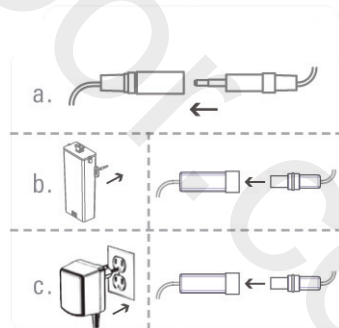
2. a. Connect the motor connector to the power source connector: Please note that since the connector is water proof, some friction might apply.

**Important:** the 4 contacts connector should be connected properly so that the white o-ring is not visible and a clicking sound is heard.

**Pay attention:** If the 4 contacts connectors will not be connected properly, the motor will work continuously.



- b. For battery versions: install the battery box at the wall underneath the sink and connect the battery connector
- c. For transformer versions: plug the transformer into the electricity socket and connect the transformer connector



3. Wait about 10 seconds before you put your hands within the sensor range.



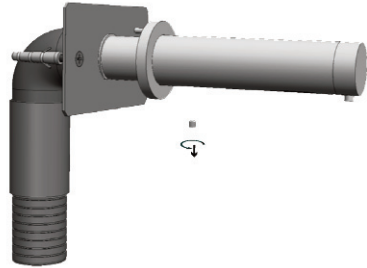


# INSTALLATION WALL PLATE VERSION

enquire for details

## STEP 1 – PREPARING FOR INSTALLATION

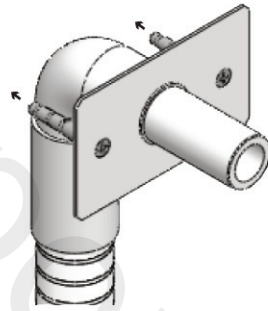
1. Disconnect the soap dispenser body with the rosette by unscrewing the set screw.
2. Cut an adequate opening in the wall for the dimensions of the soap dispenser base (where you want to install the spout), and the corrugated tube.



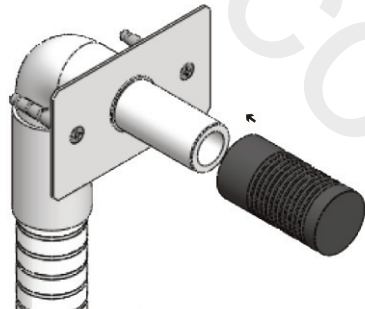
## STEP 2 – INSTALLING THE SOAP DISPENSER

1. Mount the soap dispenser base to the opening cut in the wall, and set it using the two small anchors provided.

**Important:** The soap dispenser base should be installed so that the outside surface of the finished wall falls between the minimum and maximum lines marked at the base.

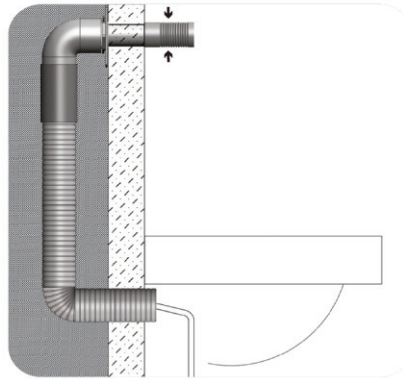


2. Assemble the temporary protective soap dispenser base cover.

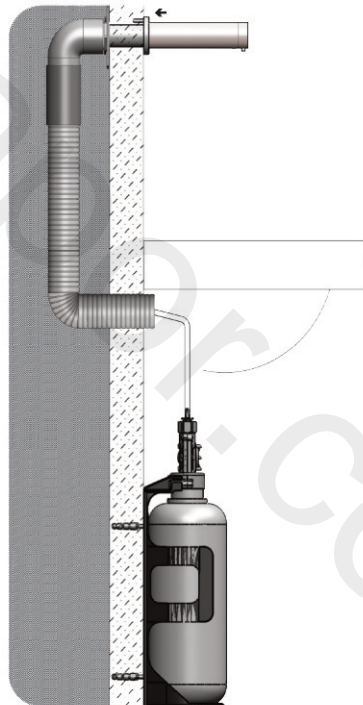


## INSTALLATION

3. Assemble the corrugated tube to the soap dispenser base and make sure it will stay outside of the wall when tiling.



4. Once the works on electricity, plumbing and tiles have been finished, insert the wall rosette through the soap dispenser base.
5. Cut the temporary soap dispenser base cover.
6. Fix the soap dispenser spout by inserting the nipple into the soap dispenser base and tighten the screw.
7. Pull the four way connector and the power supply connector out of the soap dispenser base, and lead it through the corrugated tube.



# INSTALLATION

## STEP 3 - CONNECTING THE POWER SOURCE

1. Remove the protective sticker covering the sensor.  
Keep away from the sensor range and check that no objects are in front of the sensor.



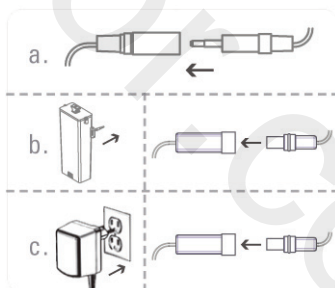
2. a. Connect the motor connector to the power source connector: Please note that since the connector is water proof, some friction might apply.

**Important:** the 4 contacts connector should be connected properly so that the white o-ring is not visible and a clicking sound is heard.

**Pay attention:** If the 4 contacts connectors will not be connected properly, the motor will work continuously.



- b. For battery versions: install the battery box at the wall underneath the sink and connect the battery connector
- c. For transformer versions: plug the transformer into the electricity socket and connect the transformer connector

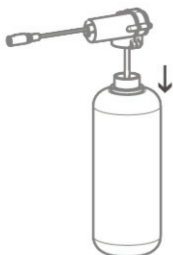


3. Wait about 10 seconds before you put your hands within the sensor range.

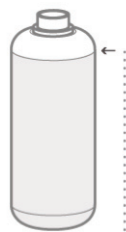


## FILLING THE SOAP TANK

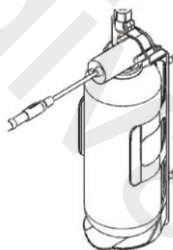
1. Unscrew the soap tank from the pump assembly.



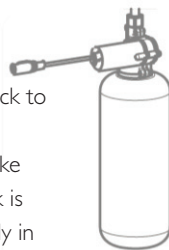
2. Fill in the liquid soap up to the top line.



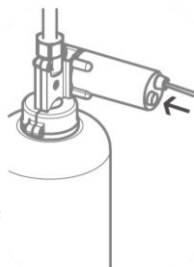
3. Insert the bottle with the tube inside the bottle support.



4. Screw the soap tank back to the pump assembly. Make sure the tank is secured firmly in place.



5. Press the refill button located at the back of the pump assembly until soap starts coming out of the soap dispenser spout. This operation can also be done using the soap dispenser remote control Refill function.



**Note:** Once the soap in the soap tank has reached the bottom line the soap tank should be refilled. To refill the soap tank please refer to steps 1-5.



# SETTINGS ADJUSTMENT WITH REMOTE CONTROL

If desired, use the remote control to adjust the soap dispenser settings. Hold the remote control straight in front of the sensor in a distance of about 10-15cm.

**Attention:** Holding the soap dispenser remote control out of the recommended range (too close or too far) may interfere with the remote's activation.

Choose the function you want to adjust by pressing on the function button as follows:

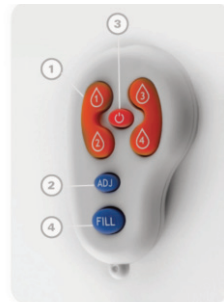
## 1 SOAP QUANTITY

The 1-4 drop keys allow the user to choose the desired soap quantity.

**1:** 0.2 to 0.4   **2:** 0.7 to 0.9   **3:** 1.2 to 1.6   **4:** 2.1 to 2.3

**Indication:** continues blink of the red light in the sensor eye.

\*The exact soap dosage depends on the soap viscosity.



## 2 ADJ

This function allows coming back to soap quantity factory settings. Press the ADJ button. Indication: 2 blinks of the red light in the sensor eye.

## 3 TEMPORARY OFF FUNCTION

This function is ideal to perform any kind of activity in front of the sensor without operating the system (for example, cleaning). The soap dispenser will remain shut for 1 minute when this button is pressed once. To cancel this function and to return to normal operation press the On/Off button again or wait 1 minute.

Indication: OFF – 2 fast blinks, ON – 4 fast blinks

## 4 REFILL THE SOAP TANK

Once the soap tank has been refilled, press the FILL button. The pump would work for one minute in order for the soap to start coming out of the soap dispenser spout. To stop this activity press the FILL button again.

# BATTERY REPLACEMENT

## BATTERY MODELS ONLY

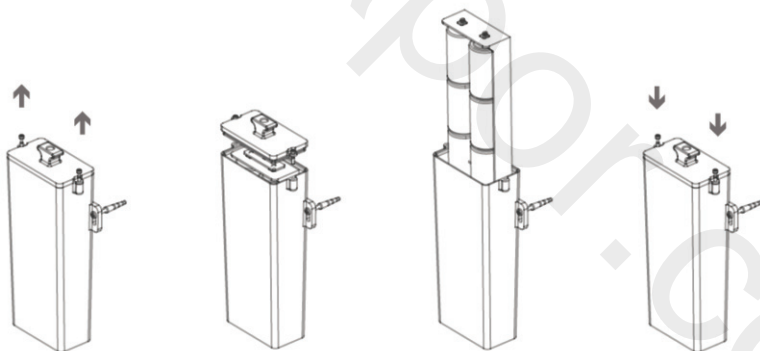
When the battery weakens, the red indicator light will blink at a constant rate when the user's hands are within the sensor range. The battery must be replaced within two weeks.

To replace the battery in battery models:

1. Carefully open the battery box
2. Remove the old batteries
3. Replace the used batteries with new D batteries

**NOTE:** Do not mix used batteries with new ones.

4. Close the box.



**Important:** Spent batteries should not be disposed of with normal household waste. Contact your local authority for information on waste disposal and recycling.



## MAINTENANCE

### **CARE AND CLEANING OF CHROME AND SPECIAL FINISHES**

DO NOT use steel wool or cleansing agents containing alcohol, acid, abrasives, or the like. Use of any prohibited cleaning or maintenance products or substances could damage the surface of the soap dispenser. For surface cleaning use ONLY soap and water; then wipe dry with a clean cloth or towel. When cleaning bathroom tiles, the soap dispenser should be protected from any splattering of harsh cleansers.

## SPARE PARTS LIST

Seals & Screws Kit .....	BC07210098
Sensor.....	BC 08002195
Soap Tank 1L.....	BC 07100020
Transformer.....	BC06522086
Soap Dispenser Pump assembly.....	BC07222032
Remote control.....	BC 07100008
IP67 Battery Box for 6xD Alkaline batteries.....	BC 06530041
Bottle support.....	BC 07120175



## LIMITED WARRANTY

DOLPHIN SOLUTIONS LTD warrants that its electronic products will be free of defects in material and workmanship during normal use for two years from the date the product is purchased.

If a defect is found in normal use, Dolphin Solutions will, at its discretion, repair, provide a replacement part or product, or make appropriate adjustments. Damage caused by accident, misuse, or abuse is not covered by this warranty. Improper care and cleaning will void the warranty. Proof of purchase (original sales receipt) must be provided to Dolphin with all warranty claims.

Dolphin Solutions is not responsible for labor charges, installation, or other incidental or consequential costs other than those noted above. In no event shall the liability of Dolphin exceed the purchase price of the product.

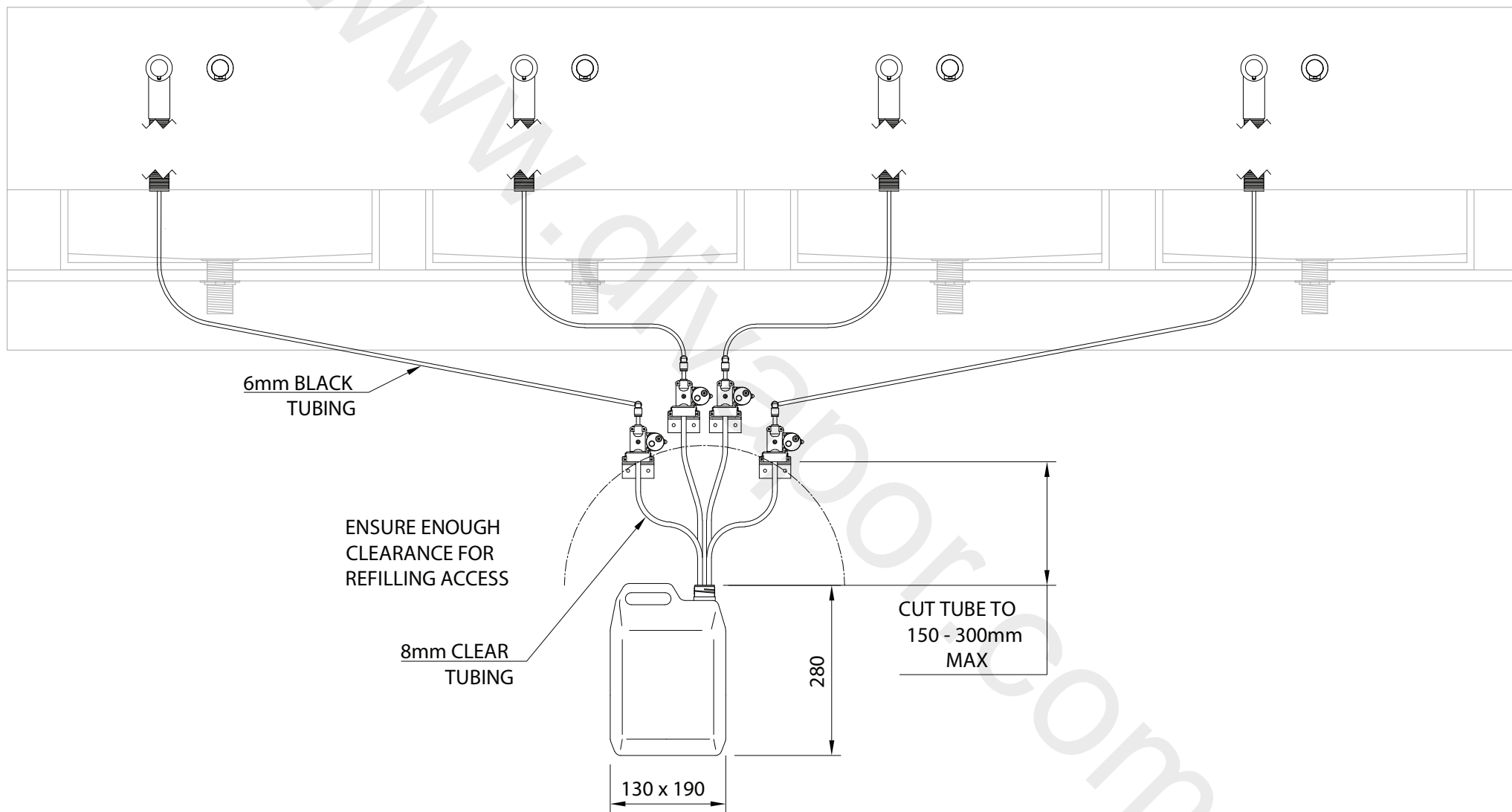
If you believe that you have a warranty claim, contact your Dolphin Solutions' Distributor, Dealer or Plumbing Contractor. Please be sure to provide all pertinent information regarding your claim, including a complete description of the problem, the product, model number, the date the product was purchased, from whom the product was purchased and the installation date. Also include your original invoice.

DOLPHIN SOLUTIONS AND/OR SELLER DISCLAIM ANY LIABILITY FOR SPECIAL, INCIDENTAL OR CONSEQUENTIAL DAMAGES. This warranty excludes product damage due to installation error; incorrect maintenance, wear and tear, battery, product abuse, or product misuse, whether performed by a contractor, service company, or the consumer. This warranty does not cover product damage caused by the following:

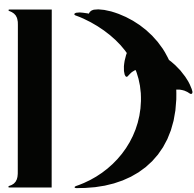
- Incorrect installation.
- Improper manipulation, tampering, bad or lapsed maintenance.

# TROUBLE SHOOTING

PROBLEM	INDICATOR	CAUSE	SOLUTION
No soap coming out of the spout	Red light in the sensor flashes continuously when the user's hands are within the sensor's range.	Low battery.	Replace battery.
		Soap has run low or completely out.	Refer to page 4 and refill the soap tank.
		The soap tank has been filled but soap has not reached the spout.	Press the refill button located at the bottom of the pump until soap starts to come out of the spout again.
	Red light in the sensor flashes (once) and the motor is operating.	The connectors between the motor and the power source are not connected properly.	Connect the connectors <b>all the way</b> through. Refer to page 7 to see how.
		Sensor is picking up reflections from the washbasin or another object.	Eliminate cause of reflection.
		Connectors between the electronic unit and the pump assembly \ transformer are disconnected or not properly connected.	Connect the electronic unit connectors to the pump assembly and transformer.
Red light in the sensor does not flash (once) when user's hands are within the sensor's range.	Battery is completely used up.	The battery must be replaced.	
	Red light flashes (once) and the motor operates.	Soap solidification at the pipe.	Fill the bottle with hot water at 50/60C and run the pump constantly.
Soap coming out from the spout does not stop		The black connector between the pump assembly and soap dispenser are not connected all the way through.	Connect the black connectors all the way through.



www.divapor.com



**D O L P H I N**

**Dolphin Solutions Ltd**

Southpoint, Compass Park, Bodiam,  
Robertsbridge, TN32 5BS

Tel: +44 (0)1424 20 22 24

Fax: +44 (0)1424 205 200

[info@dolphinsolutions.co.uk](mailto:info@dolphinsolutions.co.uk)

[www.dolphinsolutions.co.uk](http://www.dolphinsolutions.co.uk)