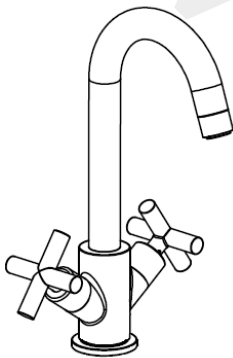


BAGNODESIGN

EXPERTLY CRAFTED BATHROOMS

General Installation Guide



IBIZA

mono basin/bidet mixers – 3-hole basin
mixer – concealed basin mixer – 5-hole
deck mounted bath mixer

A member of  SANIPEXGROUP

Please leave these instructions with the customer

IMPORTANT PLEASE READ

Remove all packaging and check the product for missing parts or damage before starting installation.

Any alterations made to this product and fittings may infringe water regulations and invalidate the guarantee.

The Installation must comply with all Local/National Water Supply Authority Regulations/Byelaws and Building and Plumbing Regulations.

We strongly recommend that your product be installed by a reputable qualified trade's person.

General Installation:

To the Installer, please read and follow this instruction carefully, as the guarantee is only valid if the product is installed as directed.

Don't rush, read the instructions first and run through them before you begin. Keep fittings together to avoid loss. Do not over tighten screws or bolts.

If the product is covered with polyethylene protective film, do not remove until installation is complete to grant maximum protection. However, remove film where any two surfaces will be in permanent contact.

Before making any inlet pipe connections, all supply pipes **MUST** be thoroughly flushed to remove debris.

The fitting of an in-line filter is recommended, Failure to do this could result in damage to the cartridge and components or low flow from the mixer.

The fitting of isolation/stop valves on the inlet feeds is advised for ease of maintenance.

Please leave this installation manual with the end user once the product has been installed.

Product Aftercare:

We recommend cleaning with a soft damp cloth and mild soap solution. Do not use cream cleaners or cleaners containing bleach.

Do not scrub or scour.

Do not use abrasive cleaning agents.

Do not use solvent based cleaners.

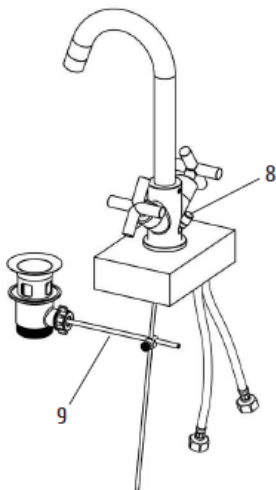
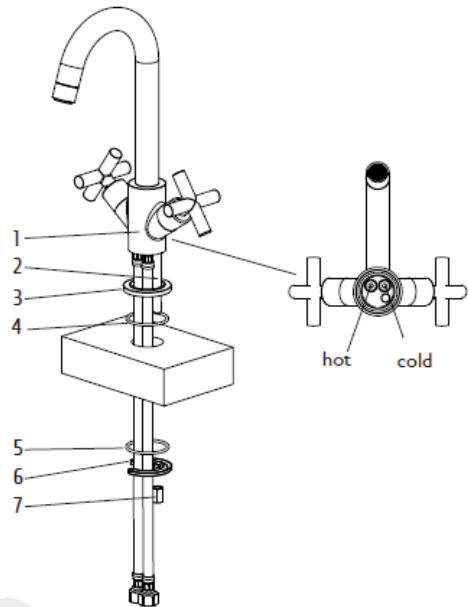
Mono Basin/Bidet Mixers

Assemble the parts as per the diagram.
Ensure that the mains water supply is turned off before installation.

Insert the Hot and Cold flexible tubes and the threaded rod (2) into the body of the mixer (1).

Position the base ring (3) and the surface washer (4) onto the bottom of the mixer (1) and place the assembly onto the basin/counter ensuring that the washer is in between the surface and the mixer.

From the underside, place the 'O' ring (5) followed by the metal washer (6) onto the threaded rod (2), then tighten to clamp the mixer to the basin/counter with the back nut (7), being careful not to over tighten.



Install the waste ensuring that the foam washer is in between the waste and basin on the top portion of the waste; the rubber washer is to be placed under the basin before the bottom part of the waste is tightened up. Take care not to over tighten.

Insert the vertical pop up rod (8) into the mixer body and connect to the horizontal rod (9) on the waste body using the connector provided.

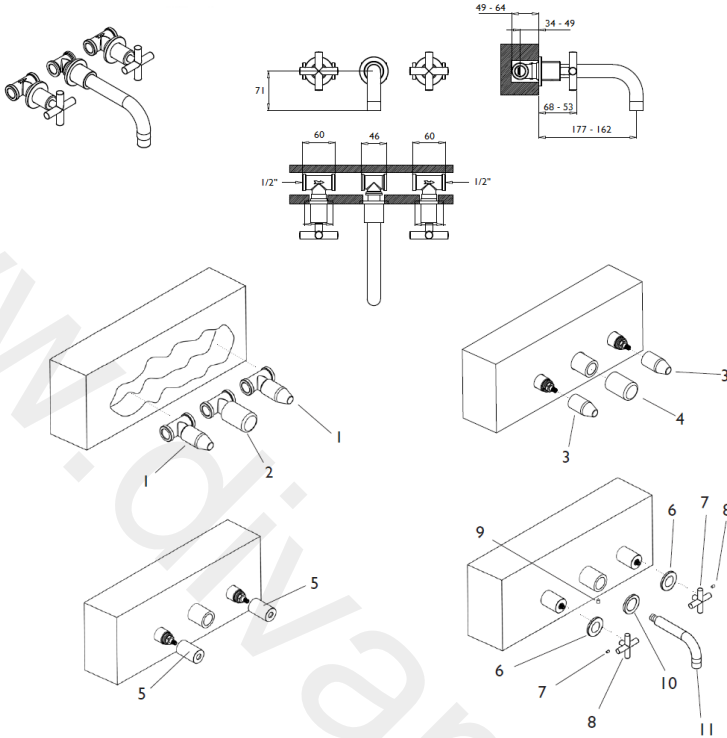
Slide down the push rod into rod link then push both rods down to the furthest point and tighten.

Install the flexible pipes,

Open the water supplies and test for leaks on the connections.

*** Before making any inlet pipe connections, all supply pipes MUST be thoroughly flushed to remove debris. Failure to do this could result in damage to the cartridge and components or low flow from the mixer***

3-Hole Basin Mixer



Assemble the parts as per the diagram.

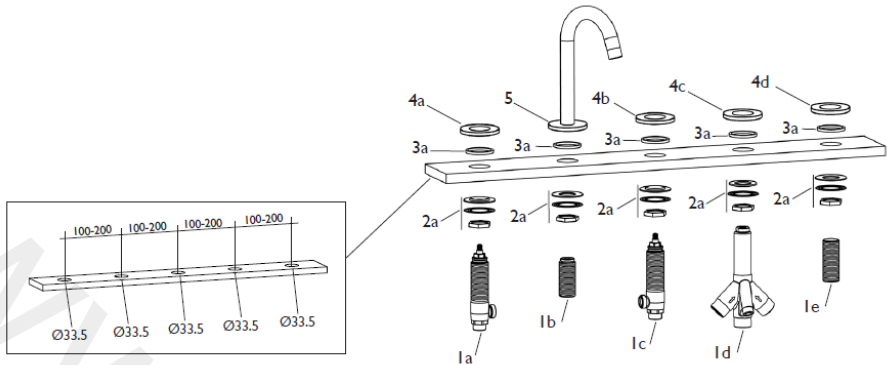
Ensure that the mains water supply is turned off before installation.

Install taps and spout connection (1 & 2) (Connection pipes not supplied) at a depth so that the finished surface is between the Min/Max distance markings shown in the diagram. Connect the Hot and Cold water supplies to the taps, and cap off the connection, then check for leaks at the connections*. Place on the protection covers (3 & 4).

Once the surrounding finishes have been applied (Tiles/Marble etc.) remove the protection covers (3 & 4) and discard. Screw on the shrouds (5) until secure against the wall surface. Fit the base plates (6 & 10) against wall surface. Push the spout (11) into place and secure the using the grub screw (9). Place handle (8) onto the spindle and secure with grub screw (7). Repeat for other valve. Open the water supplies and re-test for leaks.

*** Before making any inlet pipe connections, all supply pipes MUST be thoroughly flushed to remove debris. Failure to do this could result in damage to the cartridge and components or low flow from the mixer***

5-hole Deck Mounted Bath Filler - Installation



Assemble the parts as per the diagram.

Ensure that the mains water supply is turned off before installation.

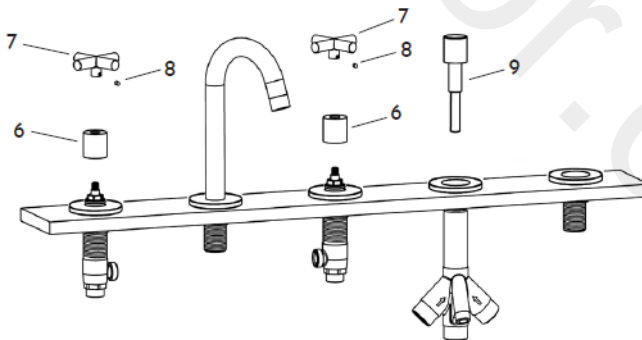
Arrange the fixing surface to the dimensions shown in the diagram.

Screw on 1x (group 2a) onto valves (1a & 1c), spout (1b), diverter (1d) and hand-shower holder (1e) and screw right down to the bottom of the thread.

Push assemblies (1a, 1c, 1d & 1e) up through the fixing surface from the underside and secure with the base plate (4a, 4b, 4c & 4d) ensuring that washer (3a) is between the base plate and fixing surface. For assembly (1b) tighten using spout (5), again ensuring washer (3a) is in place.

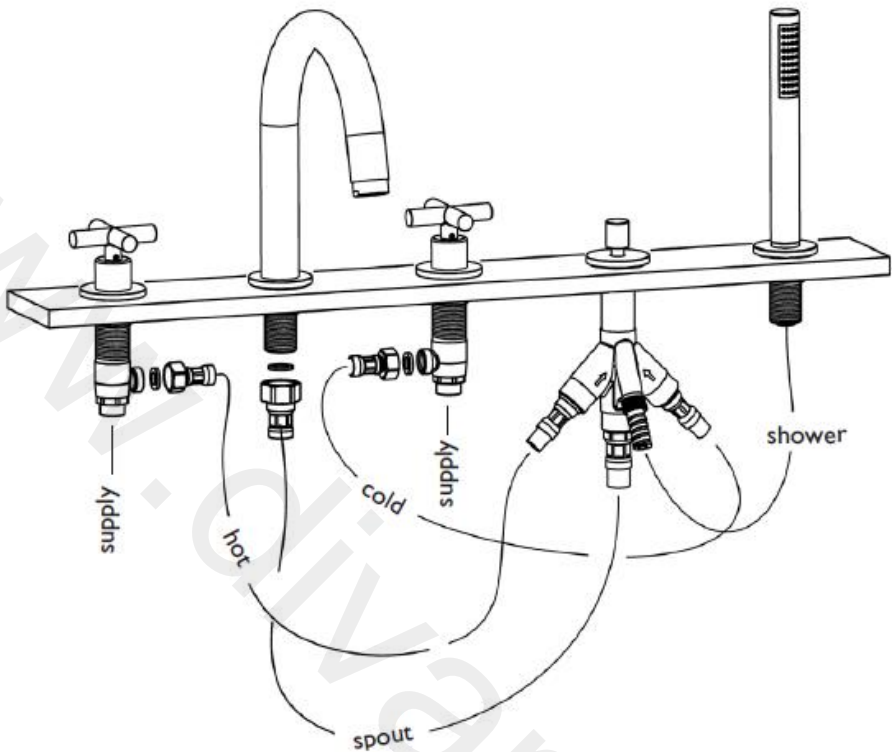
Now tighten fixings (group 2a) up to the fixing surface so that the assemblies are secure.

Note: With varying surface depths (group 2a) will have to be adjusted to suit.



On assembly 1a & 1c screw on cover shroud (6) and attach the handle (7) to the cartridge pin using grub screw (8). Repeat for other valve.

For the diverter 1d, place the handle (9) in the diverter and screw it.



Attach the hand-shower to the SHOWER hose, pull through the hand-shower holder and attach to the connection on the diverter valve.

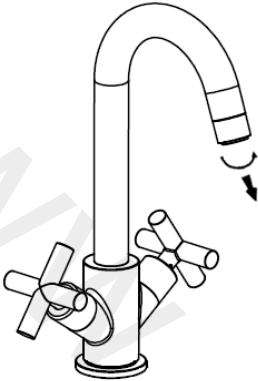
Connect the HOT and COLD flexibles from the valves (1a & 1c) to the diverter valve (1d) as shown in the diagram.

Connect the SPOUT flexible from the spout (1b) to the diverter valve (1d) as shown in the diagram

Connect the SUPPLY (not supplied) to the valves, turn on water connections, and then test for leaks*.

*** Before making any inlet pipe connections, all supply pipes MUST be thoroughly flushed to remove debris. Failure to do this could result in damage to the cartridge and components or low flow from the mixer***

MAINTENANCE



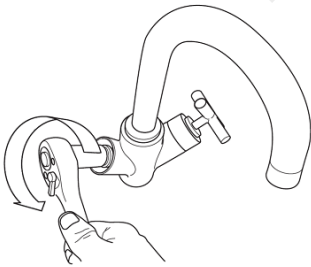
Periodically the aerator will need to be cleaned, simply unscrew the aerator housing

Remove the aerator from the spout

Flush the aerator under water to remove the small debris.

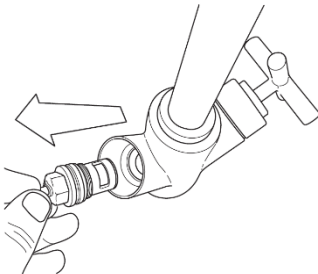
Install the aerator back into the tap a re-tighten the housing.

Deck & Concealed Cartridges:



To remove the cartridge, use an Allen key loosen the grub screw this will allow the handle to be removed.

Unwind and remove the shroud, carefully with a spanner loosen the cartridge and remove. Be careful not to lose any of the assembly parts.



Insert the new cartridge being careful not to cross thread.

Tighten using a spanner, re-install the shroud and handle.

