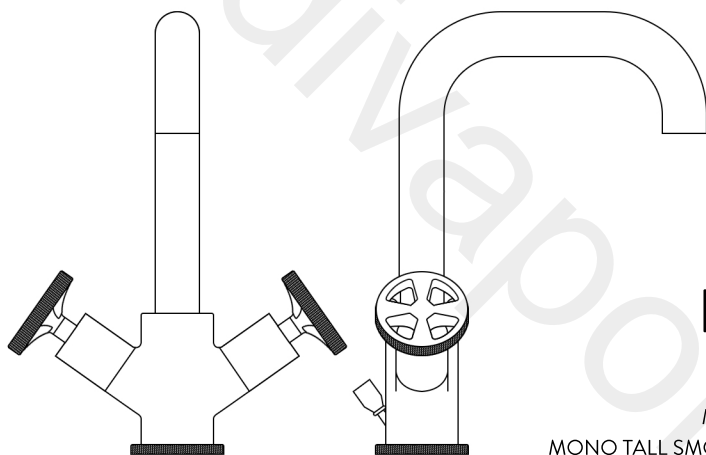


BAGNODESIGN

EXPERTLY CRAFTED BATHROOMS

General Installation Guide



Revolution

MODELS COVERED:

- MONO BASIN MIXER W/PUW
- MONO TALL SMOOTH BODIED BASIN MIXER
- MONO BIDET MIXER W/PUW
- 3 HOLE BASIN MIXER W/O PUW
- 2 HOLE CONCEALED BASIN MIXER
- 3 HOLE CONCEALED BASIN MIXER
- EXPOSED SHOWER MIXER
- CONCEALED SHOWER MIXER
- CONCEALED SHOWER MIXER WITH DIVERTER
- CONCEALED SHOWER MIXER WITH 3 WAY DIVERTER
- CONCEALED SHOWER MIXER WITH 4 WAY DIVERTER
- CONCEALED 2 WAY DIVERTER
- CONCEALED STOP VALVE
- 5 HOLE BATH/SHOWER MIXER W/O HAND SHOWER
- KITCHEN MIXER

Please leave these instructions with the customer

IMPORTANT PLEASE READ

All products manufactured and supplied by BAGNODESIGN are fit for purpose as long as they are Installed, used correctly, cleaned and receive regular maintenance in accordance with these instructions...

Remove all packaging and check the product for damage or missing parts before commencing with the installation.

Any alterations made to this product and its components may infringe product certification, infringe water regulations and invalidate the guarantee.

The Installation must comply with all local/national water supply authority regulations/byelaws and building and plumbing regulations, therefore we strongly recommend that your product be installed by a reputable qualified trade's person.

PRODUCT LIFECYCLE

"The product lifecycle is the collective stages that a product goes through from its conception and design through to its ultimate disposal."

DISPOSAL GUIDANCE

The best way to ensure your Product has a long life is to follow the Care and Maintenance guides set by the Manufacture after purchase. This document can be found at www.bagnodesignlondon.com

The lifecycle of the product is not in correlation to the product Guarantee; the standards the products are manufactured or certified to (e.g. CE & WRAS) can exceed past the Guarantee duration.

After the lifecycle of the product is deemed complete by the end-user please follow the below to dispose of the items correctly...

Mixers (Taps):

If the mixers are no longer accepted due to mechanical use or aesthetic style, these can be disposed of at a registered Local Authority waste recycling centre where the individual components can be sorted.

CLEANING CARE GUIDE

Please follow the below recommendations to ensure the product performs to your satisfaction and gives many years of use:

We recommend cleaning with a soft damp cloth and mild soap solution.

Do not use cream cleaners, cleaners containing bleach or abrasive cleaning agents

Do not scrub or scour.

Do not use solvent based cleaners.

Some nickel finishes will very slightly darken over time.

Specific stainless steel cleaners can be used on stainless steel products.

GENERAL INSTALLATION:

To the installer, please read and follow these instructions carefully, as the guarantee is only valid if the product is installed as directed.

Don't rush, read the instructions first and run through them before you begin, keep the fittings together to avoid loss, do not overtighten screws or bolts.

If the product is covered with polythene protective film, do not remove until the installation is complete to grant maximum protection. However, remove film where any two surfaces will be in permanent contact. If tools are required to be used on a 'finished' surface, please place a cloth or similar over the area to protect the item from unnecessary scratching.

Before making any inlet pipe connections, all supply pipes **MUST** be flushed to remove debris such as solder, swarf, plastics and other building/construction substances.

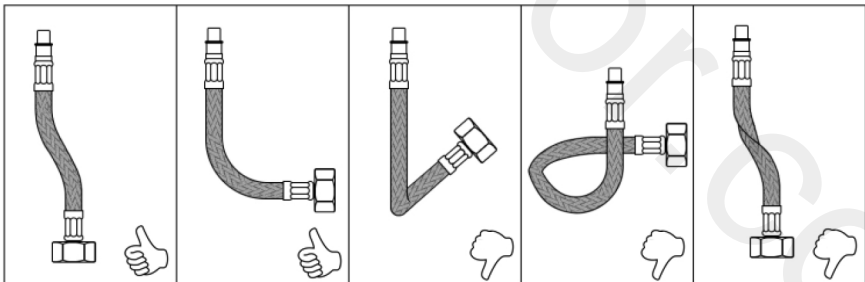
The fitting of an in-line filter is recommended, failure to do this could result in damage to the cartridge and its components, it could also result in poor performance water flow from the outlet.

The fitting of isolation/stop valves on the inlet feeds is advised for ease of maintenance.

On fittings such as faceplates a small amount of lubrication is recommended on the rubber seals for ease of fitting.

CONNECTIONS:

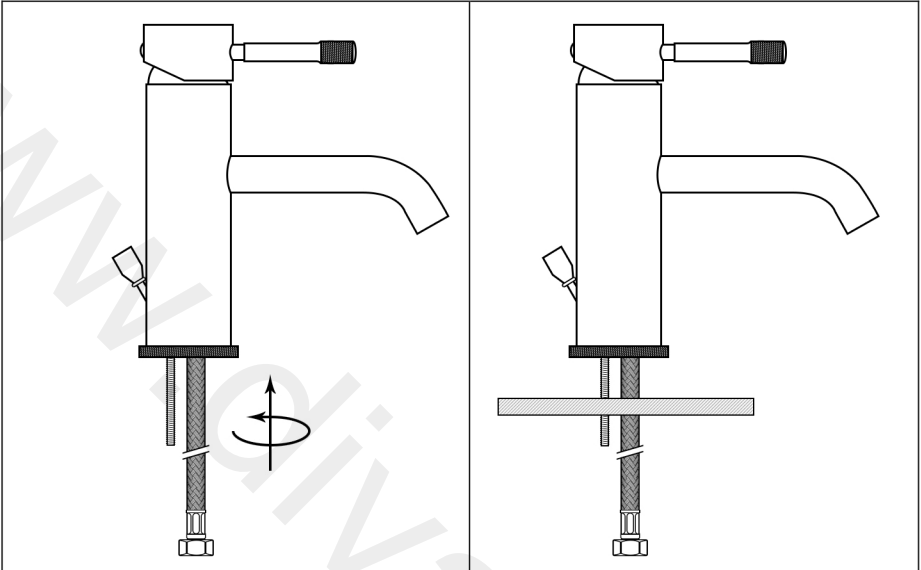
Flexible inlet pipes must be connected carefully to the plumbing system so that they do not **bend, twist or kink**. Failure to do so can result in poor performance from the mixer and possible failure of the hose leading to bursting and leakage.



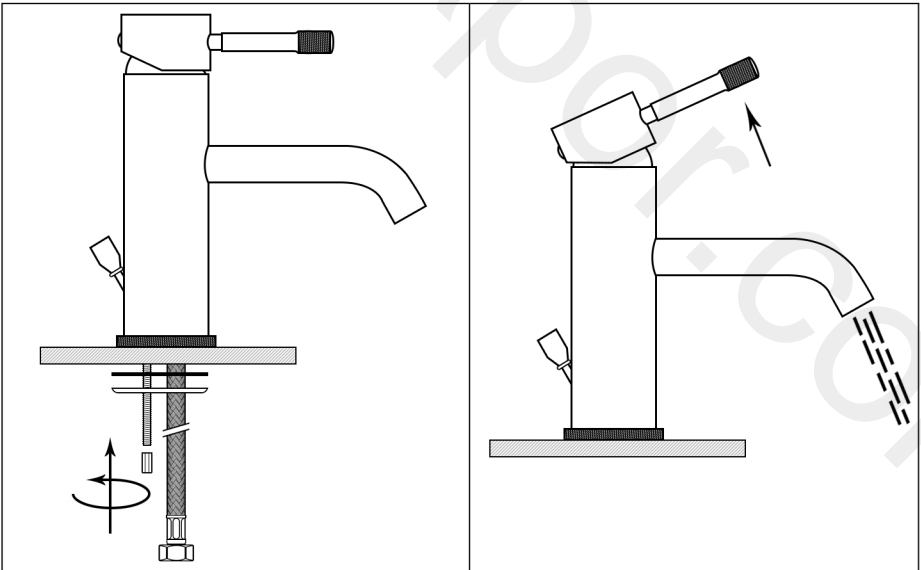
Pipework to concealed mixers must be installed in accordance to local regulations and is recommended to be insulated to prevent heat loss, prevent freezing and reduce condensation.

Hot and cold operating pressures should be kept as balanced as possible in order to maintain maximum efficiency.

MONO BASIN MIXER W/PUW
MONO TALL SMOOTH BODIED BASIN MIXER
MONO BIDET MIXER W/PUW

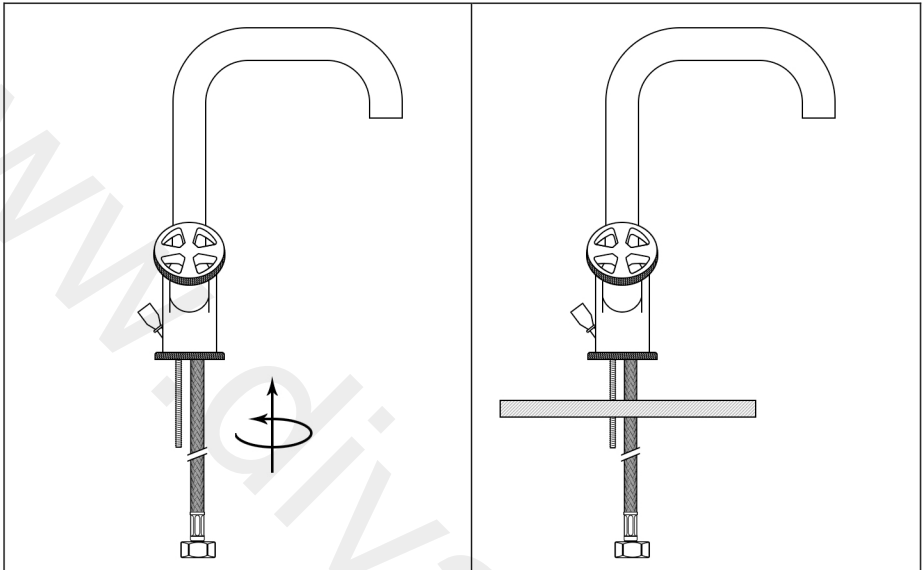


Install the threaded rods and **hand-tighten** the flex-pipes into the bottom of the mixer body. Feed the assembly through the hole in the basin/countertop.

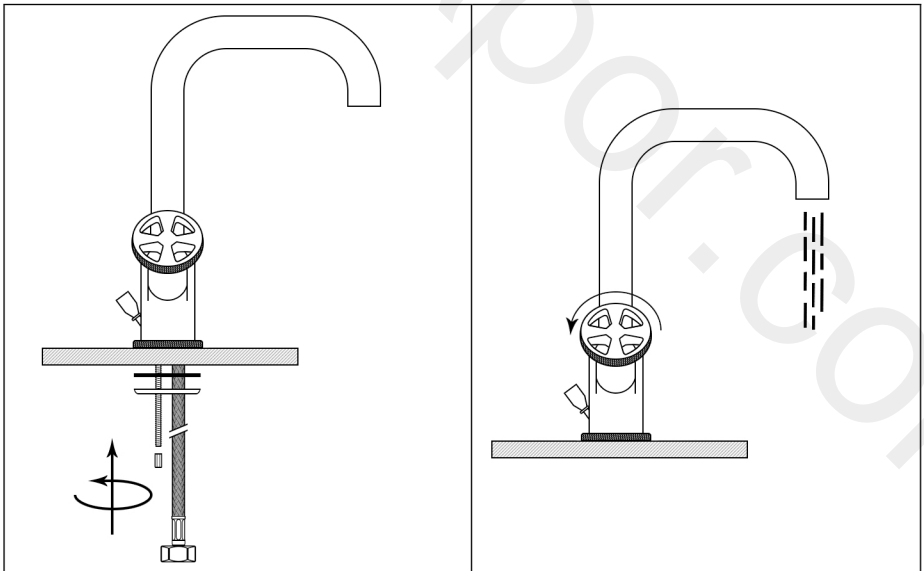


Slide the rubber 'C' washer followed by the metal 'C' washer and tighten the back nuts with a spanner to secure the mixer. Flush the pipework, then connect the flexi-pipes to the isolation valves, turn on the water, run the tap and check for leaks.

MONO BASIN MIXER W/PUW
MONO TALL SMOOTH BODIED BASIN MIXER
MONO BIDET MIXER W/PUW CONT...

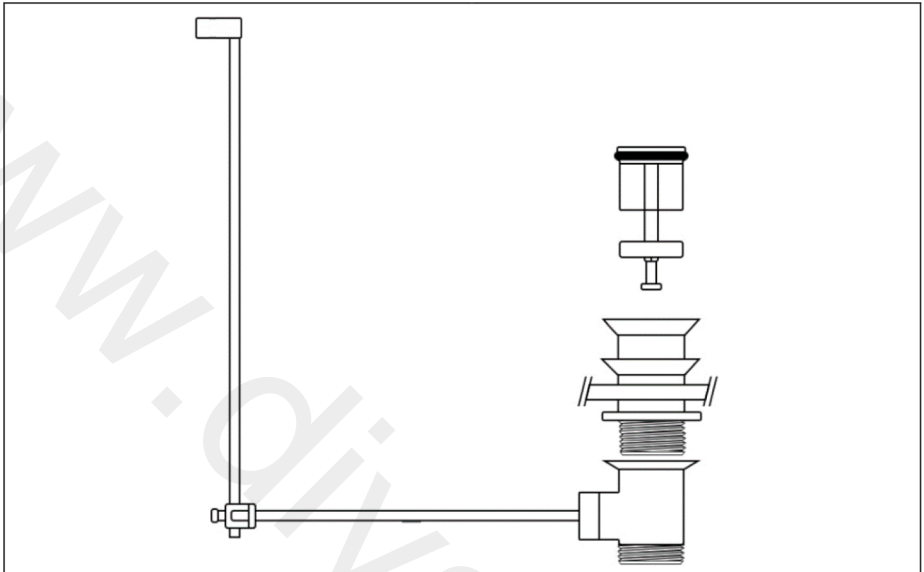


Install the threaded rods and **hand-tighten** the flex-pipes into the bottom of the mixer basin/body. Feed the assembly through the hole in the basin/countertop.



Slide the rubber 'C' washer followed by the metal 'C' washer and tighten the back nuts with a spanner to secure the mixer. Flush the pipework, then connect the flexi-pipes to the isolation valves, turn on the water, run the tap and check for leaks.

POP-UP WASTE ASSEMBLY (PUW)

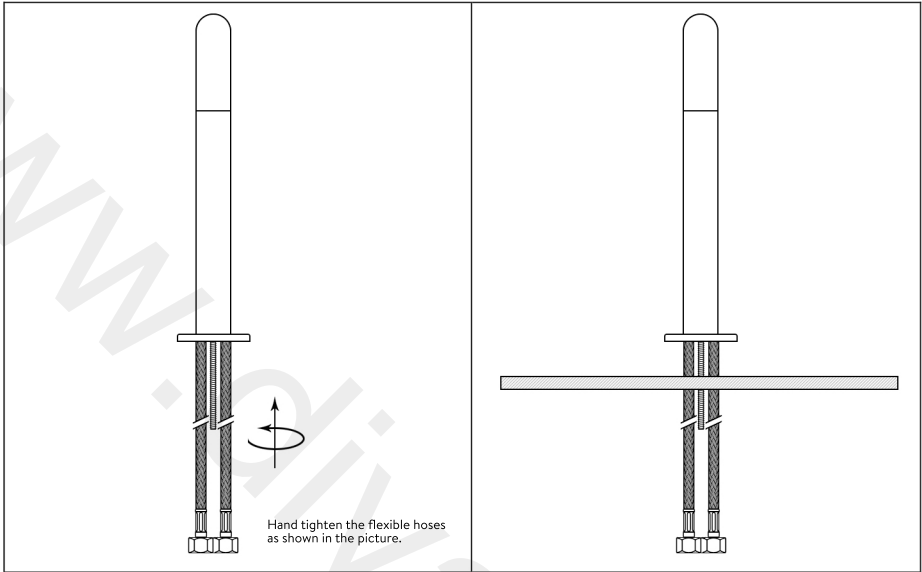


Disassemble the pop-up waste and reassemble onto the basin ensuring the foam washer is placed between the top waste housing and the basin. The rubber washer is to be placed on the bottom waste housing before being tightened

Insert the vertical pop up rod into the mixer body and connect to the horizontal rod on the waste body using the connector provided. Slide down push rod into rod link then push both rods down to the furthest point and tighten.

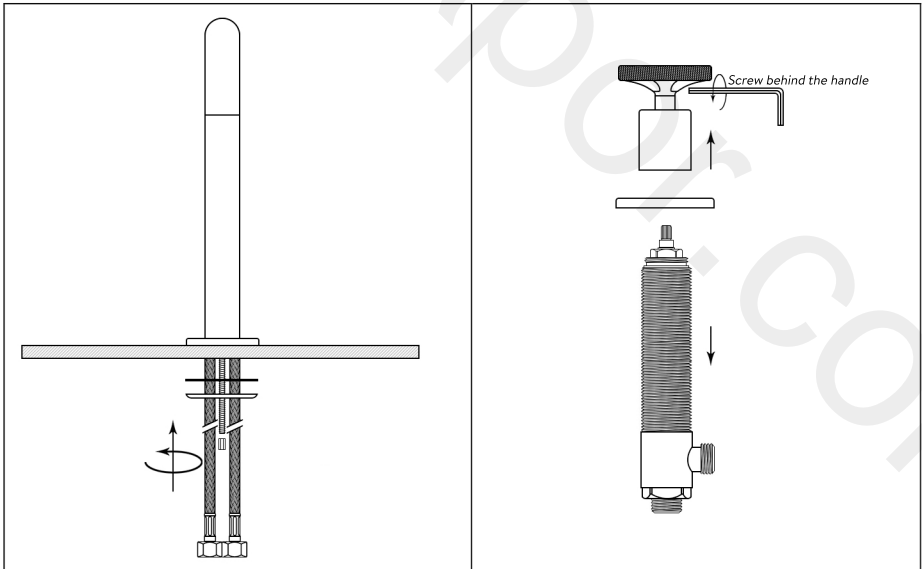
Adjust the plunger by screwing in/out to suit the depth required, secure with the back-nut.

3 HOLE DECK MOUNTED BASIN MIXER



Install the threaded rod and hand-tighten the flexi-pipes into the bottom of the spout body.

Feed the assembly through the hole in the basin/countertop.

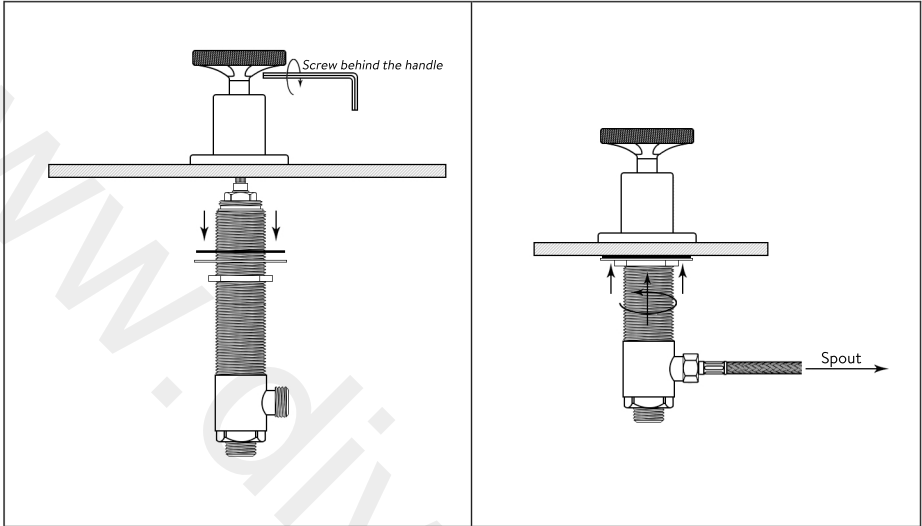


Slide the rubber 'C' washer followed by the metal 'C' washer and tighten the back nuts with a spanner to secure the spout.

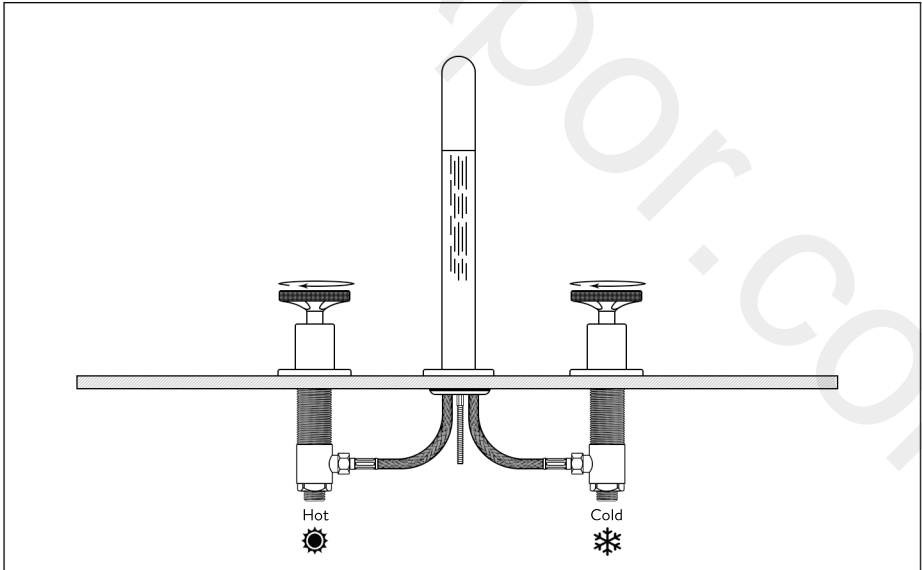
Installation of Valve.

Loosen the screw and separate the valve body, base plate and handle as shown above.

3 HOLE DECK MOUNTED BASIN MIXER CONT...

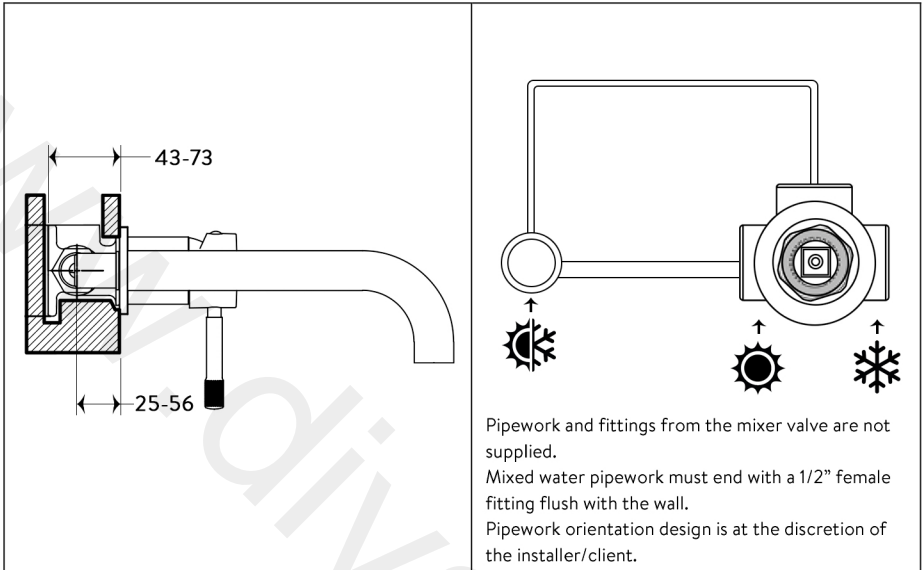


Screw the back-nut, metal washer and rubber washer down the valve body. Install the valve from underneath and secure with the base plate and handle. Then tighten to clamp the valve to the bath tub with the back nuts, being careful not to over tighten. Connect the flexible hose to spout to the valve.



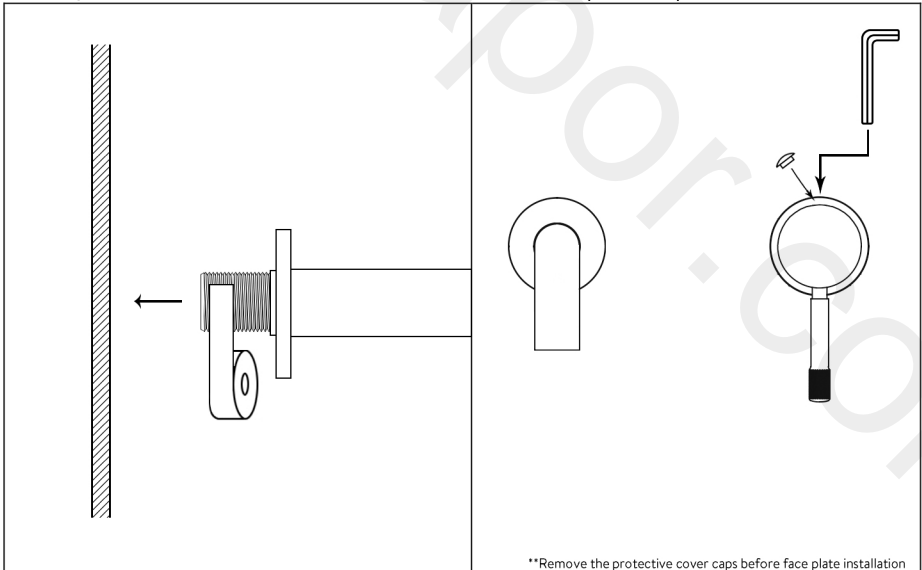
Flush the pipework then connect the flexi-pipes to the isolation valves, turn on the water, run the tap and check for leaks.

2 HOLE CONCEALED BASIN MIXER



Install the concealed parts at a depth so that the finished surface is between the Min/Max markings shown above.

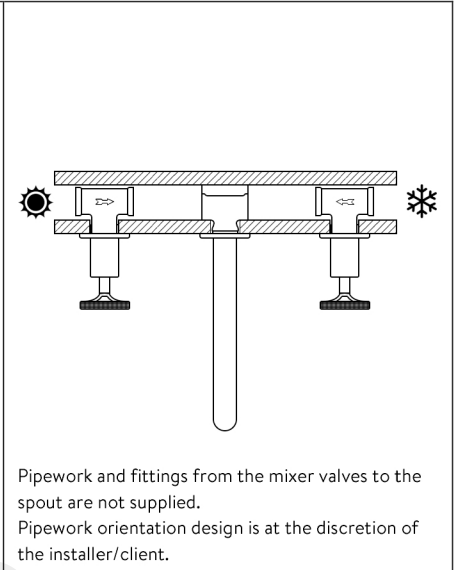
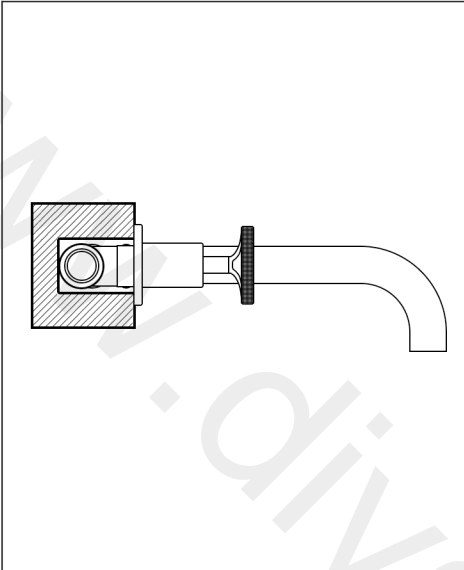
Install the **cold** water supply from the **right** and the **hot** water supply from the **left** (if possible pressure test).



Install the face plate, then wrap the spout thread with PTFE tape and install into the female wall fitting.

Install face plate to the mixer body, then install the handle lever. Secure handle by tightening the grub screws. Then fix the screw cap back to the handle.

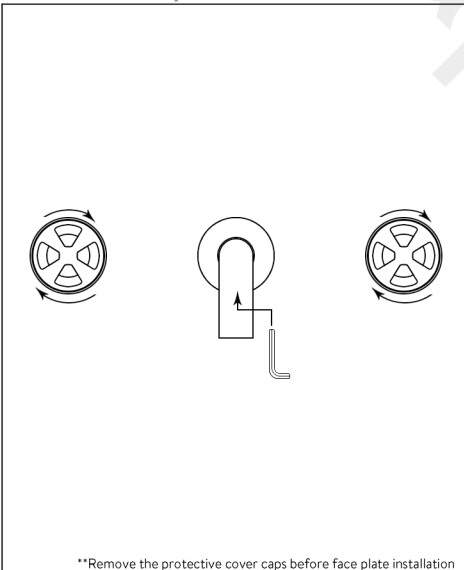
3 HOLE CONCEALED BASIN MIXER



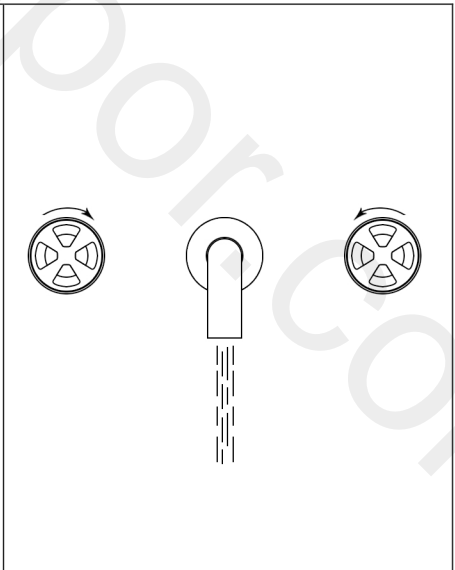
Pipework and fittings from the mixer valves to the spout are not supplied.
Pipework orientation design is at the discretion of the installer/client.

Install the concealed parts at a depth that finished surface is between the *Min/Max* markings shown above.

Install the **cold** water supply from the **right** and the **hot** water supply from the **left** (*if possible pressure test*).



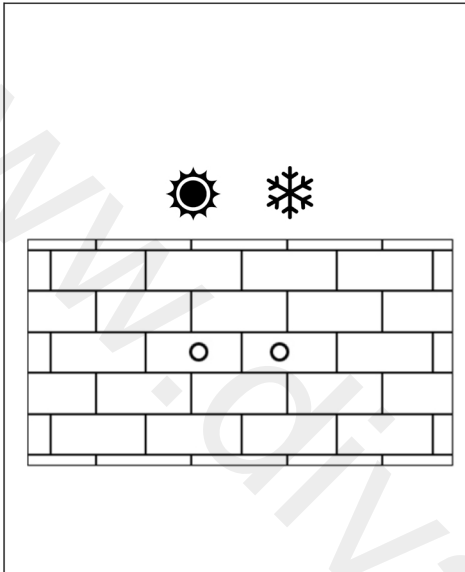
**Remove the protective cover caps before face plate installation



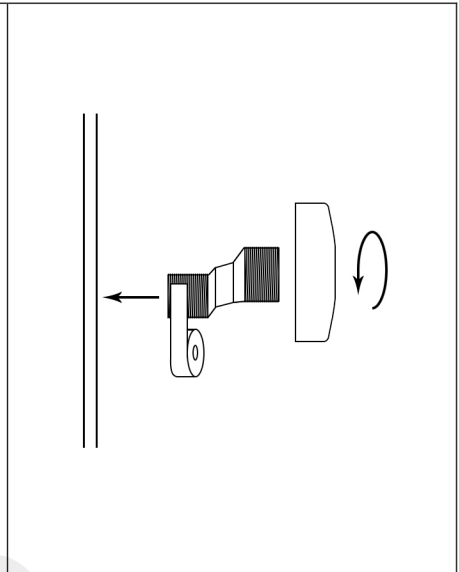
Install the face plates, then slide the spout into the spout connector, Install the handles secure all by tightening the grub screws.

Open the valves to test the mixer.

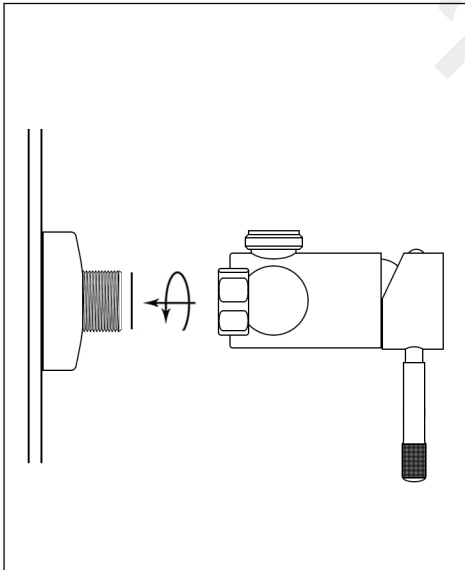
EXPOSED SHOWER MIXER



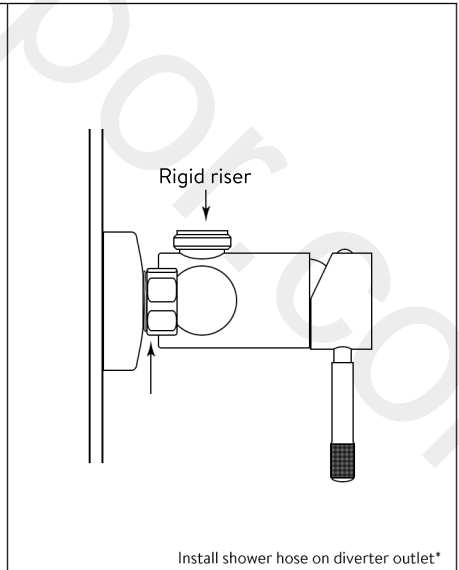
Pre-Install two 1/2" female fittings, level and 150mm apart, these fittings must be flush to the finished wall surface.



Wrap the offset eccentrics with PTFE tape and install onto the wall fixings. Screw on the cover shrouds until secure to the wall.

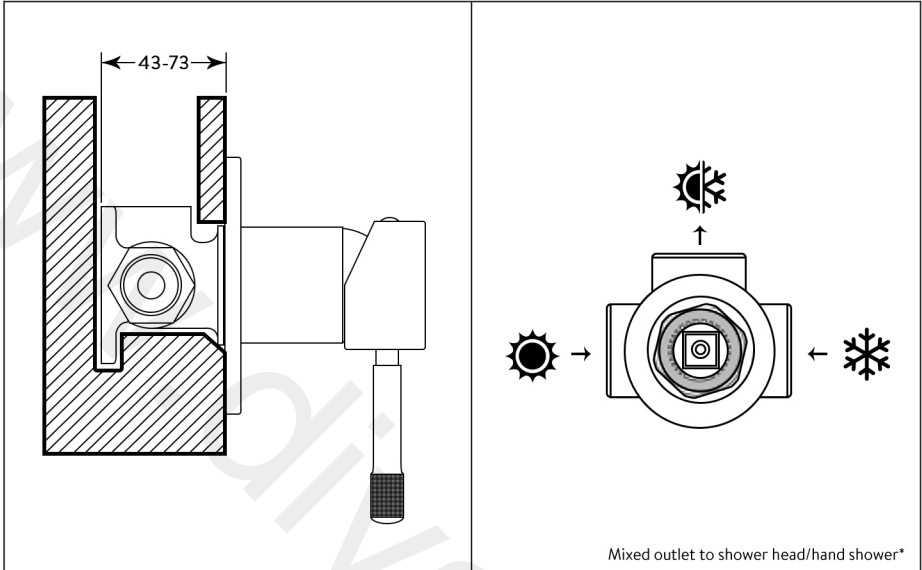


Install the washers/filters in to the mixer body, then hand tighten the mixer to the eccentrics, ensure its level.



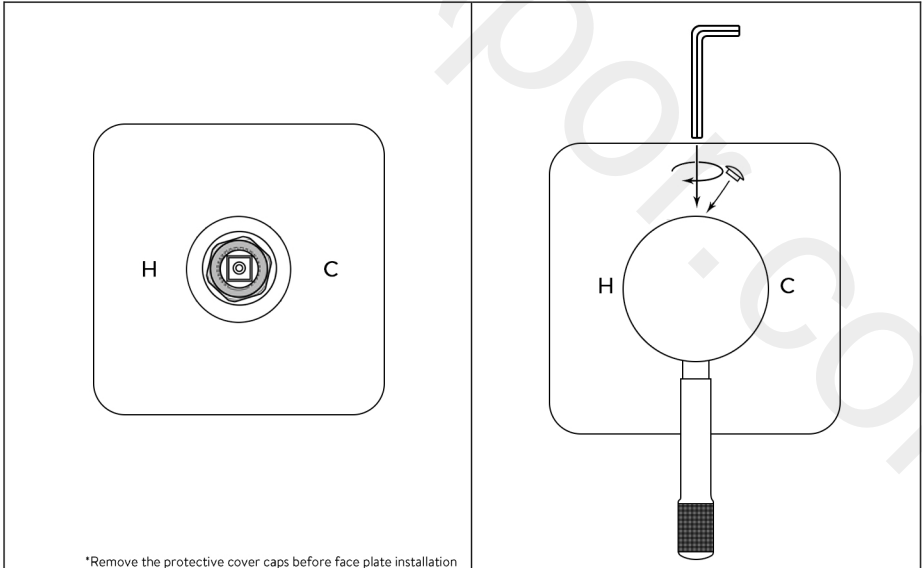
Place a cloth over the nuts to protect from scratching when fully tightening with a spanner. Turn on the water and test.

CONCEALED SHOWER MIXER



Install the concealed part at a depth so that finished surface is between the Min/Max markings shown above.

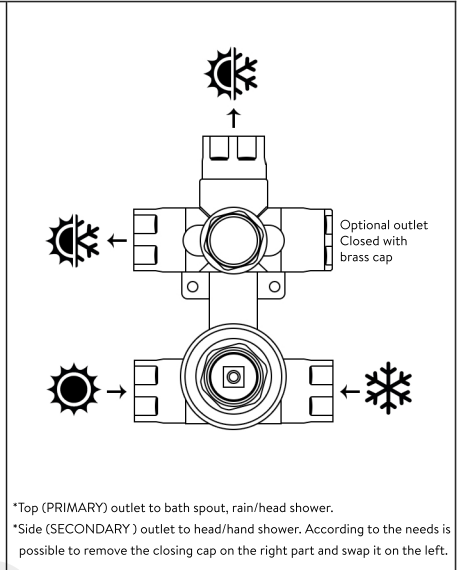
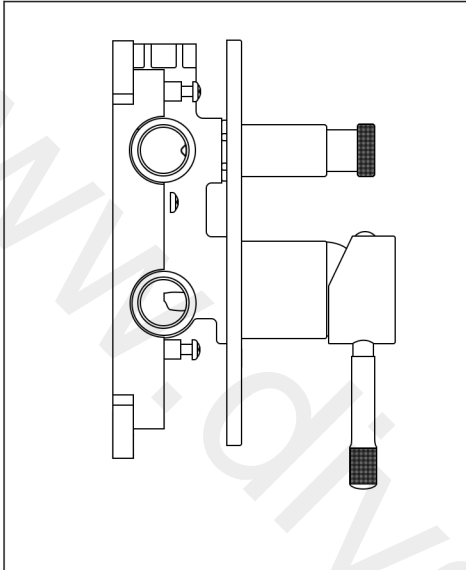
Install the **cold** water supply from the **right** and the **hot** water supply from the **left** as per the above (if possible pressure test).



Apply the surrounding finishes, fit the face-plate onto the valve body.

Install the handle onto the cartridge pin and secure by tightening the grub screw. Turn on the water and test the mixer.

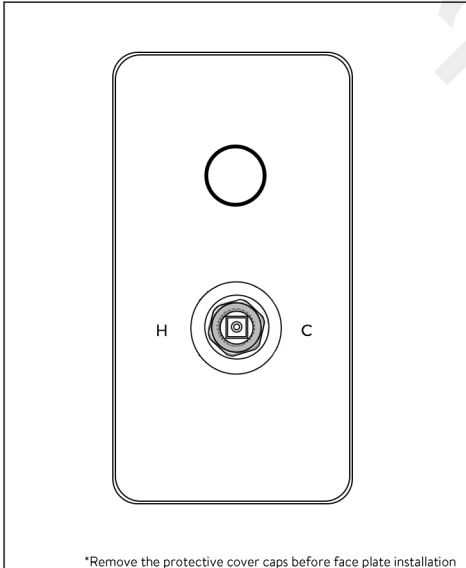
CONCEALED SHOWER MIXER WITH DIVERTER



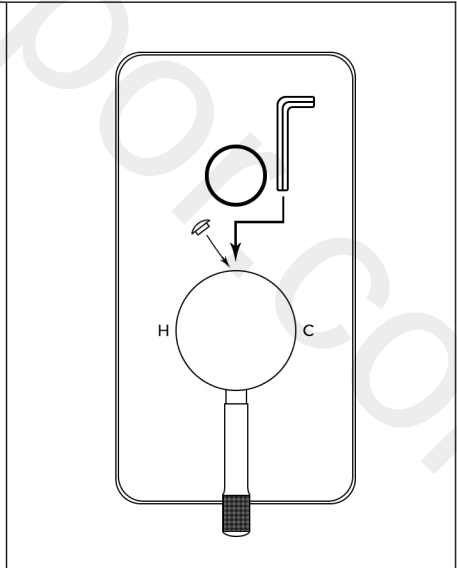
*Top (PRIMARY) outlet to bath spout, rain/head shower.
*Side (SECONDARY) outlet to head/hand shower. According to the needs is possible to remove the closing cap on the right part and swap it on the left.

Install the concealed part at a depth so that finished surface is between the Min/Max markings shown above.

Install the **cold** water supply from the **right** and the **hot** water supply from the **left** as per the above (if possible pressure test).



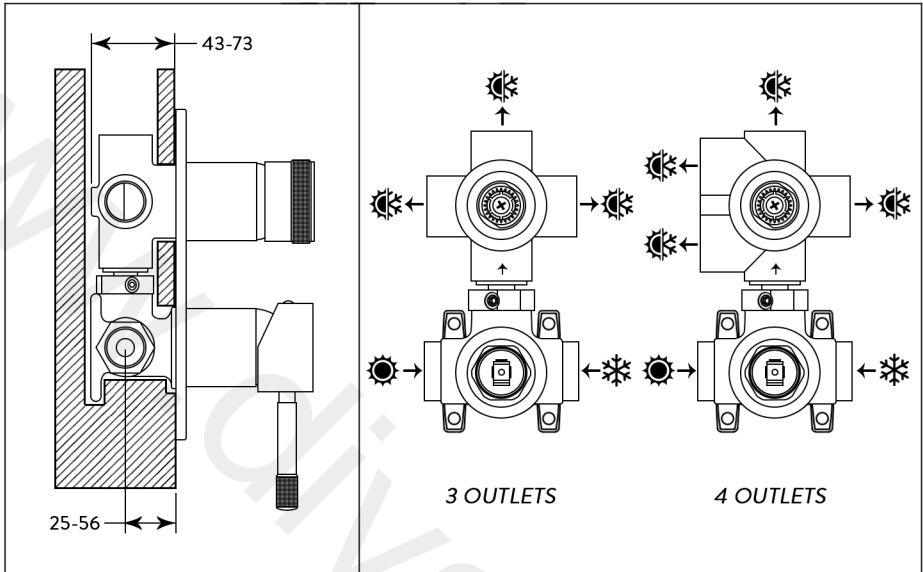
*Remove the protective cover caps before face plate installation



Apply the surrounding finishes, fit the face-plate onto the valve body.

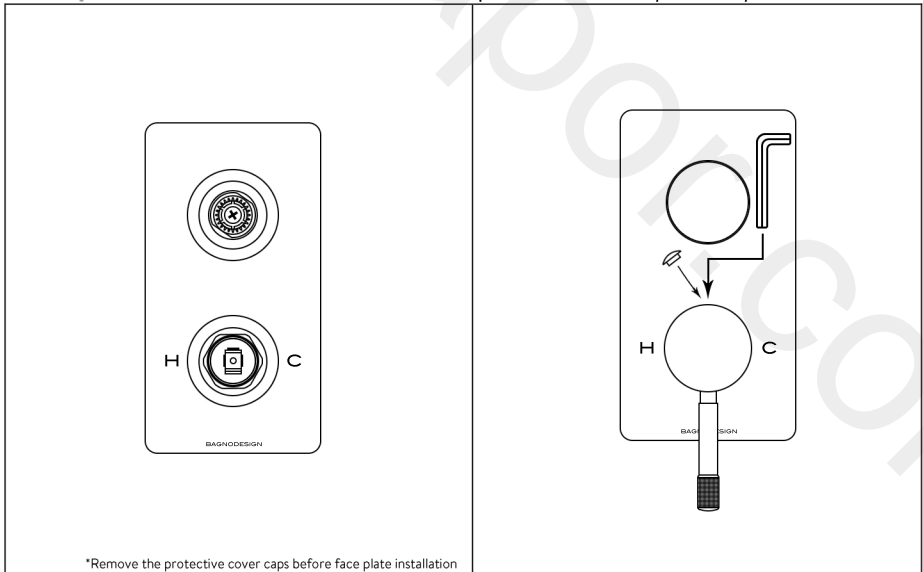
Install the handle onto the cartridge pin and secure by tightening the grub screw. Turn on the water and test the mixer.

CONCEALED SHOWER MIXER WITH 3 WAY DIVERTER
 CONCEALED SHOWER MIXER WITH 4 WAY DIVERTER



Install the concealed part at a depth so that finished surface is between the Min/Max markings shown above.

Install the **cold** water supply from the right and the **hot** water supply from left as per the above (if possible pressure test).



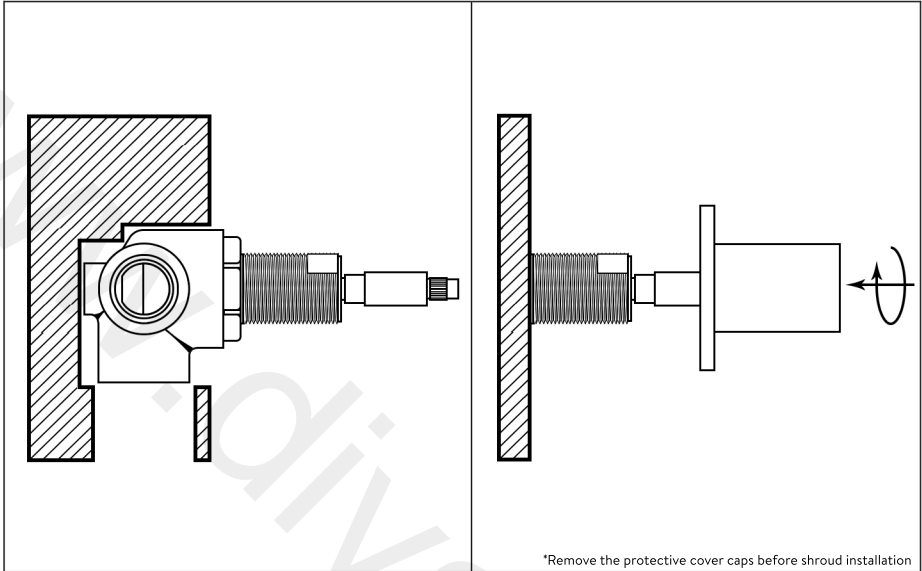
*Remove the protective cover caps before face plate installation

Apply the surrounding finishes, fit the face-plate onto the valve body.

Fix the diverter knob and install the handle onto the cartridge pin and secure by tightening the grub screw.

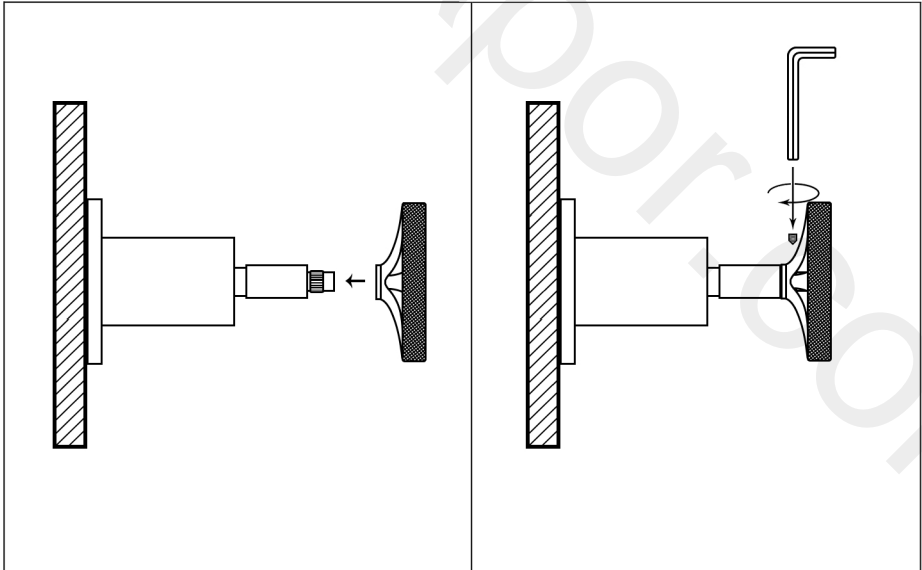
Turn on the water and test the mixer.

CONCEALED 2 WAY DIVERTER



Install the concealed part into the wall and connect the water supply (*if possible pressure test*).

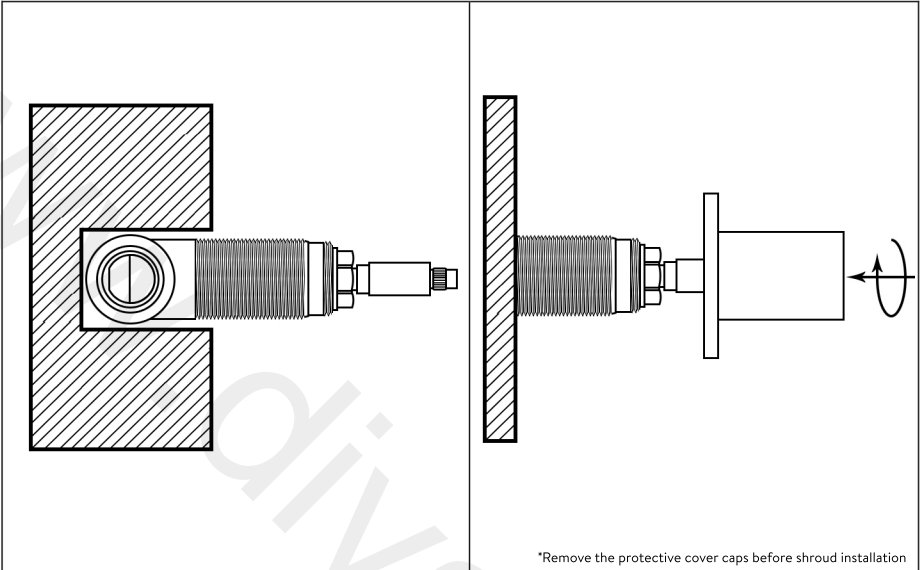
Install and tighten the shroud and back plate to the threaded part, being careful not to over tighten.



Fix the handle knob to the valve body.

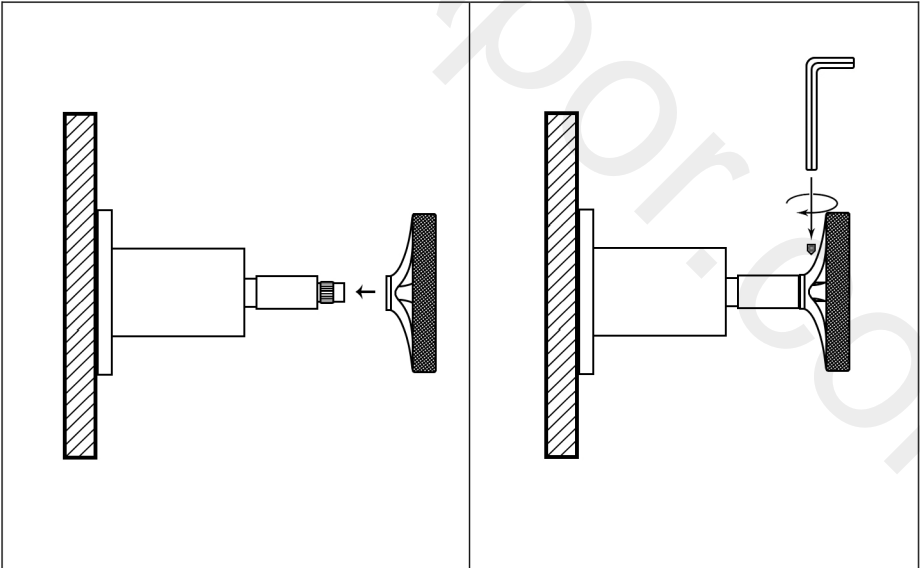
Secure the knob by tightening the grub screw. Turn on the water and test both the valves.

CONCEALED STOP VALVE



Install the concealed part into the wall and connect the water supply (if possible pressure test).

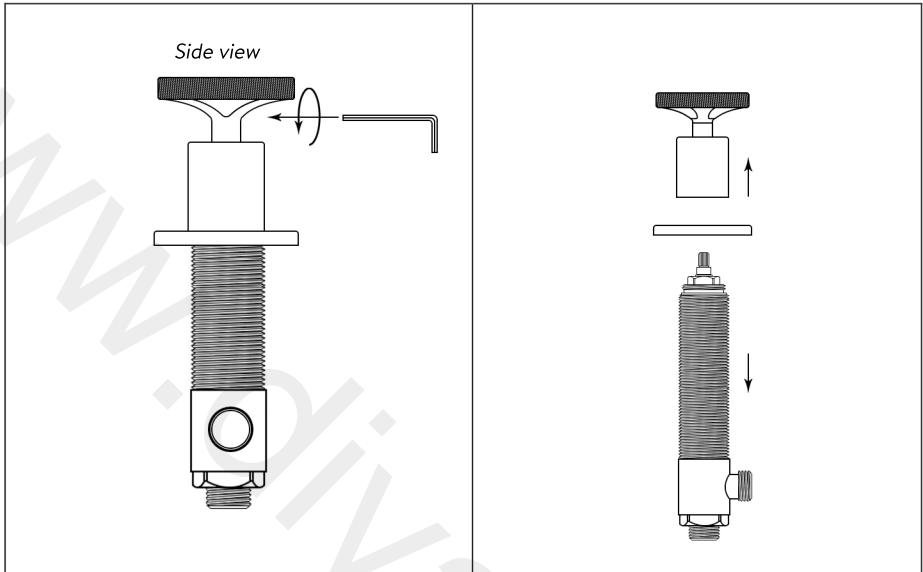
Install and tighten the shroud and back plate to the threaded part, being careful not to over tighten.



Fix the handle knob to the valve body.

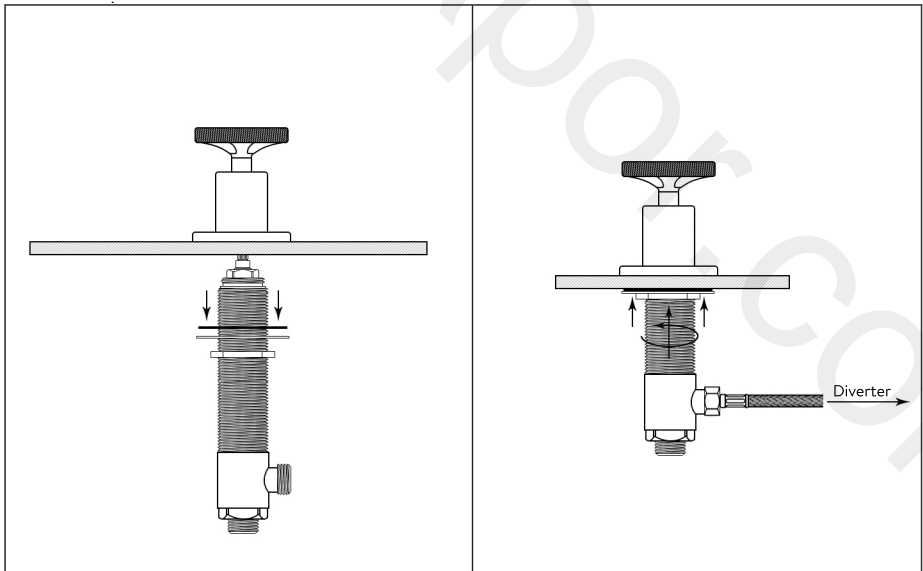
Secure the knob by tightening the grub screw. Turn on the water and test the valves.

5 HOLE DECK MOUNTED BATH MIXER



Installation of Valve.
Loosen the screw (behind the handle knob) with an allen key.

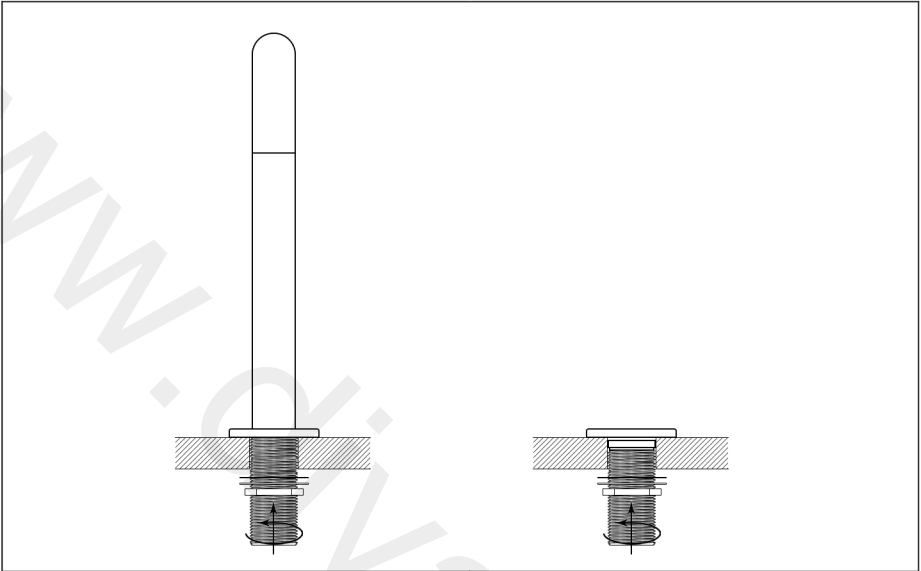
Separate the valve body, base plate and handle as shown above.



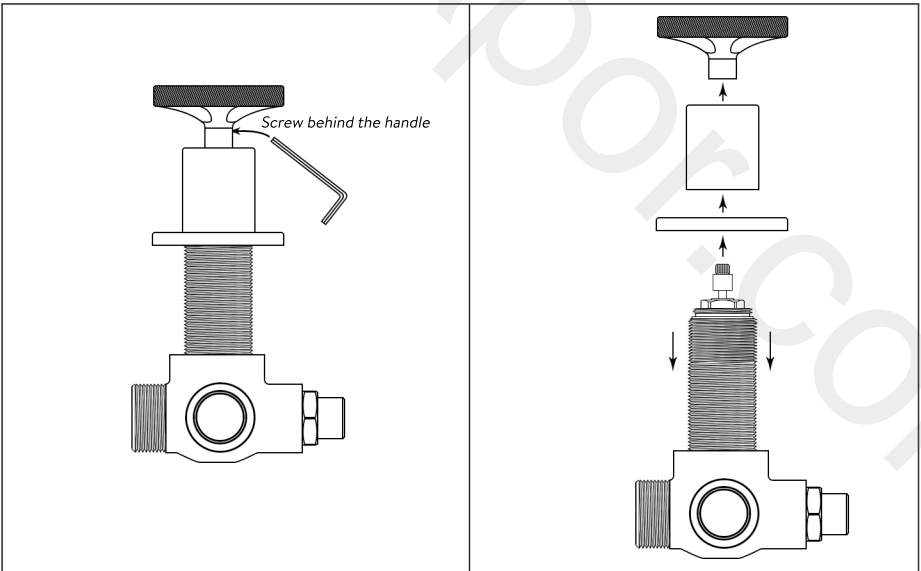
Screw the back-nut, metal washer and rubber washer down the valve body. Install the valve from underneath and secure with the base plate and handle.

Then tighten to clamp the valve to the bath tub with the back nuts, being careful not to over tighten. Connect the flexible hose to the diverter.

5 HOLE DECK MOUNTED BATH MIXER CONT...



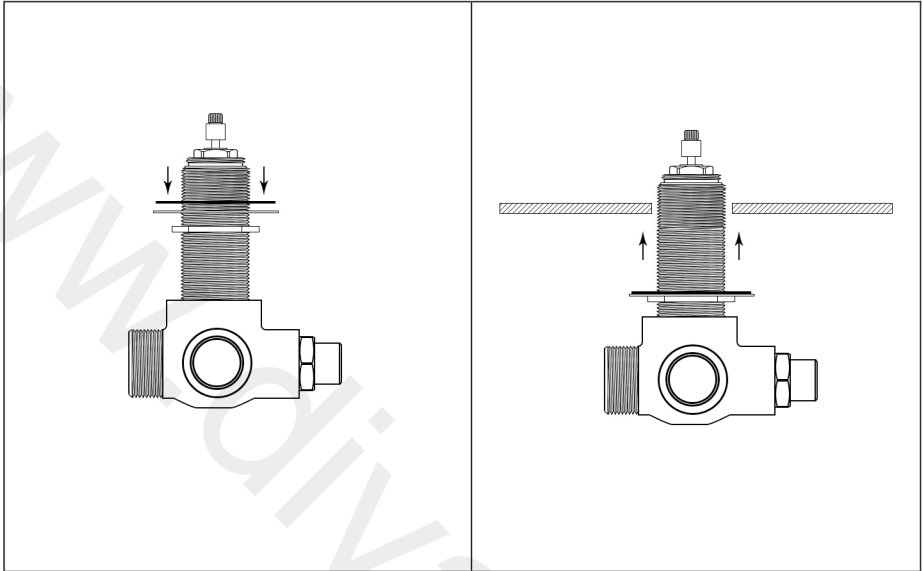
The spout and hand-shower holder can simply be installed by placing through and tightening with the washer and back-nut



Installation of diverter.
Loosen the screw (behind the handle knob) with an allen key.

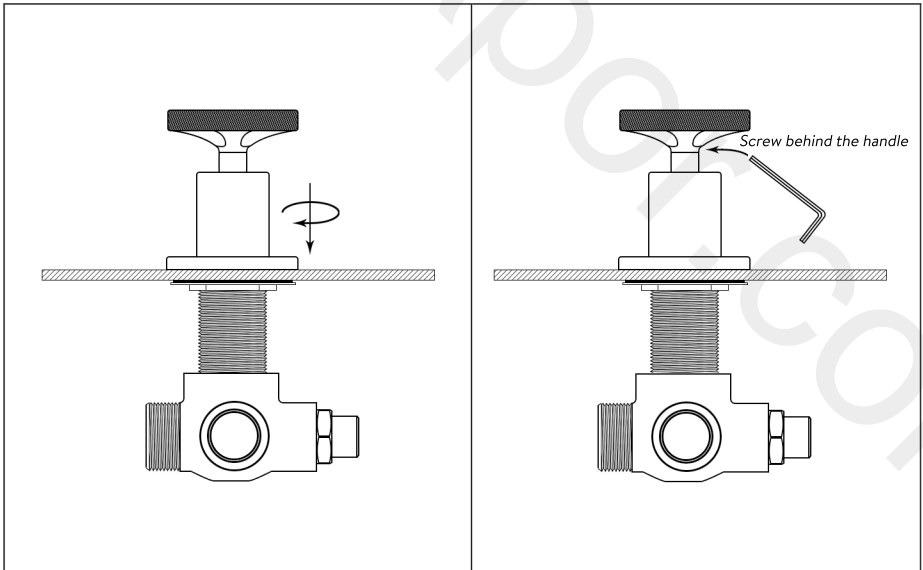
Separate the diverter knob, base plate and shroud from the valve body.

5 HOLE DECK MOUNTED BATH MIXER CONT...



Screw the back nut, metal and rubber 'O' rings down the valve body.

Push the diverter assembly up through the bath/countertop from underneath.

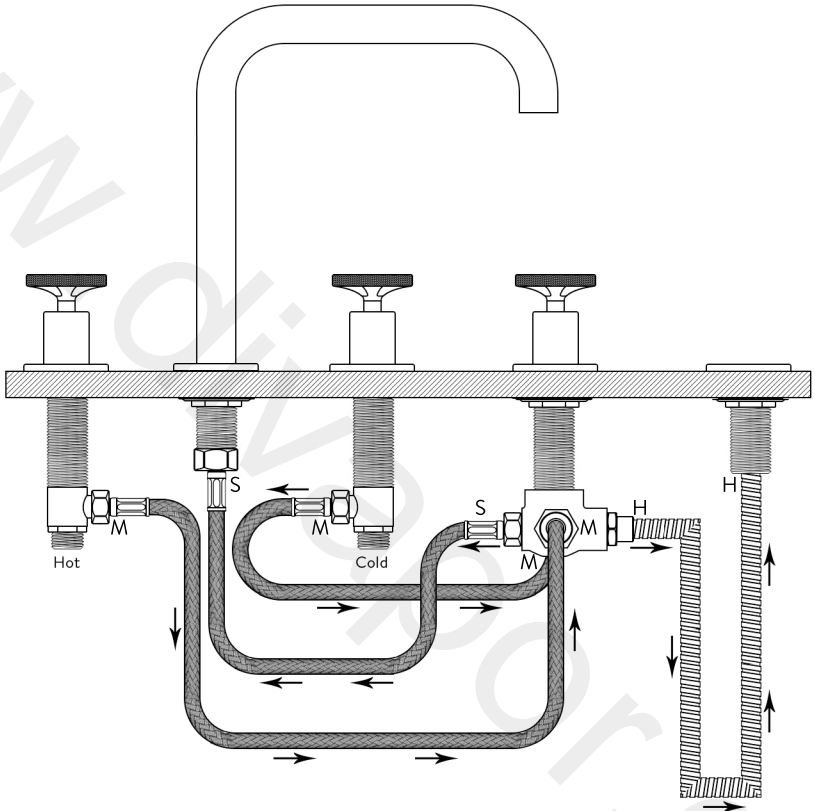


First screw the base plate onto the diverter top, then from underneath tighten the back nut up to secure.

Re-install the diverter knob.

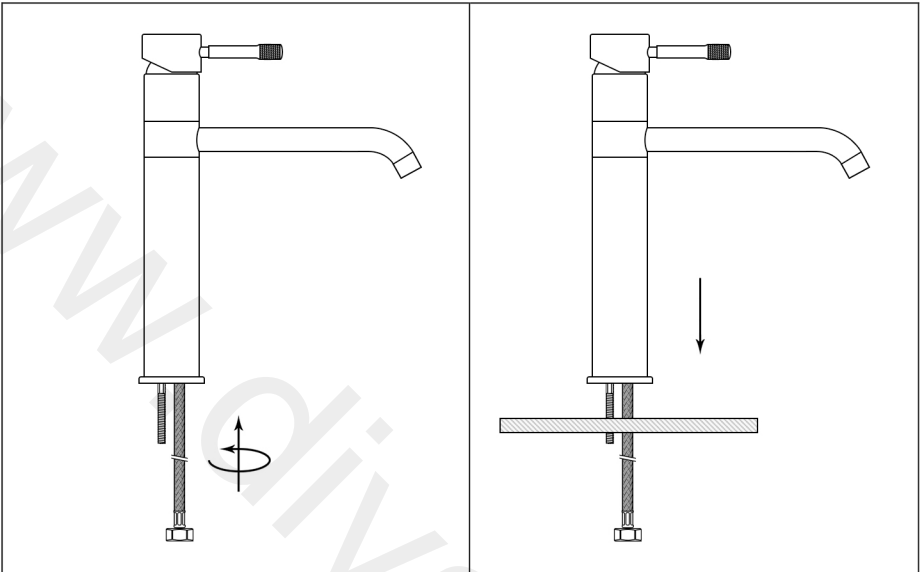
5 HOLE DECK MOUNTED BATH MIXER CONT...

*On some models the hand-shower is not supplied

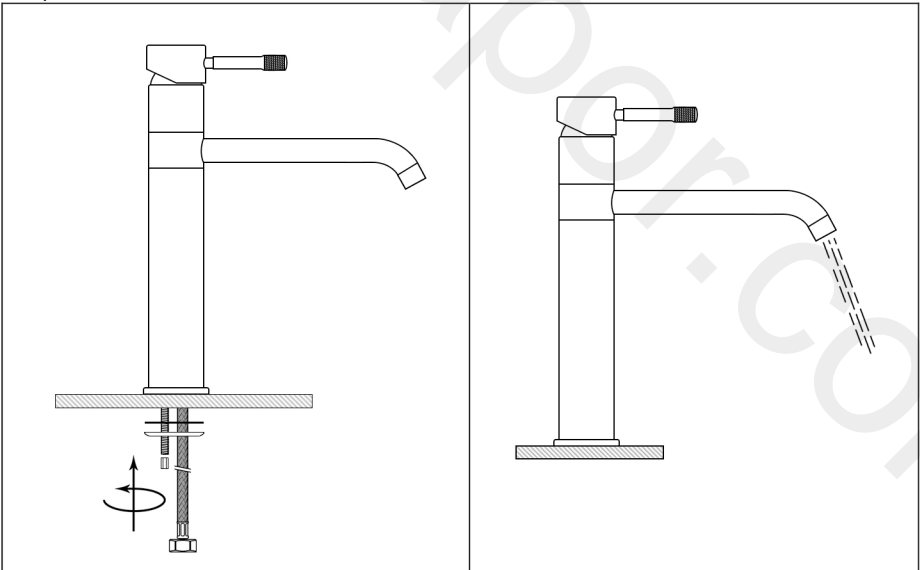


Connect the **M** flexible to either of the **M** locations on the diverter valve
Connect the **S** flexible from the bottom of the diverter to the spout connection.
Slide the **H** hose down through the holder and connect to the **H** outlet on the diverter

KITCHEN MIXER

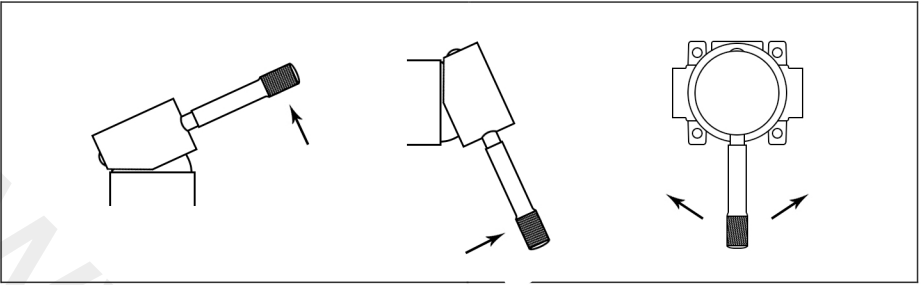


Install the threaded rods and **hand-tighten** the flexi-pipes into the bottom of the mixer body. Feed the assembly through the hole in the kitchen sink/countertop.



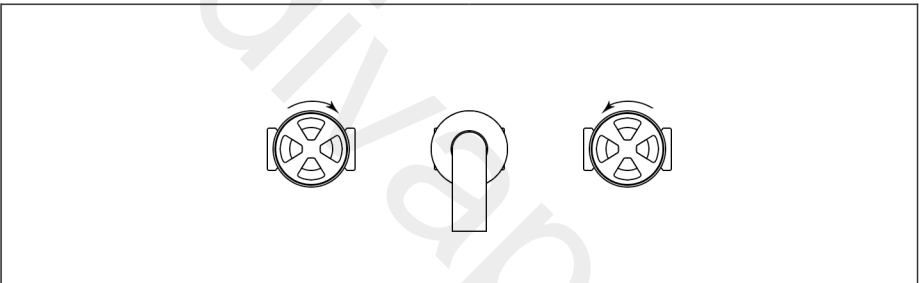
Slide the rubber 'C' washer followed by the metal 'C' washer and tighten the back nuts with a spanner to secure the mixer. Flush the pipework then connect the flexi-pipes to the isolation valves, Turn on the water, run the tap and check for leaks.

OPERATION MONO



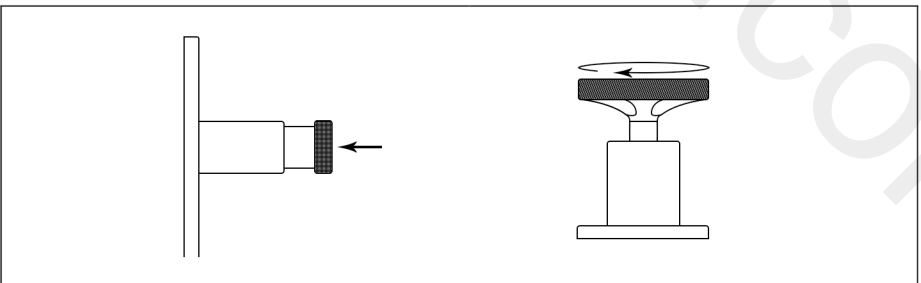
To control water flow on deck mounted mixers lift the handle upward, pull forward for wall mounted mixers. To adjust the temperature, turn the handle to the right for cold water and left for hot water.

OPERATION TWIN VALVE



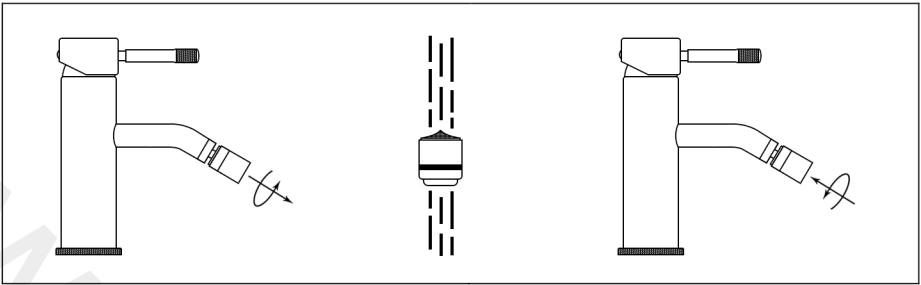
To control water flow on twin valve mixers, rotate the handles, it is always recommended that the cold valve be on the right and hot on the left. Adjust the rotation of each valve to give the temperature output you require.

OPERATION DIVERTER



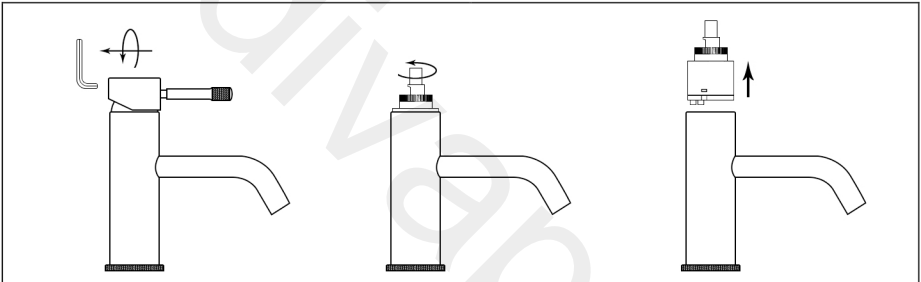
All diverters only function when the main water supply is turned on, for concealed shower valves push the button in to divert and for deck/floor mounted bath/shower mixers pull the diverter knob

MAINTENANCE AERATOR



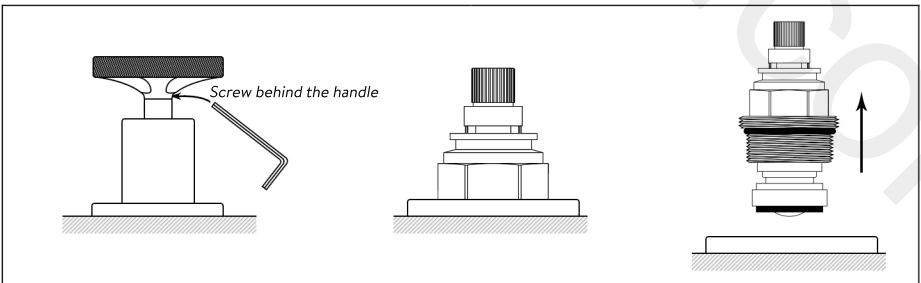
Periodically the aerator will need to be cleaned. Using an aerator key, remove the aerator from the spout, flush the aerator under water to remove the small debris or soak overnight. Re-install the aerator back into the tap and re-tighten.

MAINTENANCE CARTRIDGE



Remove the push cover. Using an Allen key loosen the grub screw this will allow the handle to be removed. Unwind the shroud, Care-fully with a spanner loosen the locking nut, this will allow the cartridge to be taken out and replaced. When inserting the new cartridge make sure the 2 locating points align, then re-assemble.

MAINTENANCE VALVE



Loosen the grub screw on handle and remove, unscrew the shroud around the valve body. Using a spanner carefully unwind the cartridge from the valve housing. Remove, replace and re-assemble.

