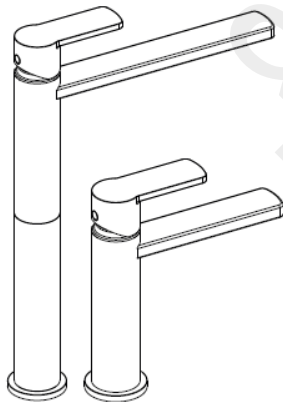


# BAGNODESIGN

EXPERTLY CRAFTED BATHROOMS

---

## General Installation Guide



### TEATRO

mono/tall basin/bidet mixers – 2-hole  
concealed basin mixer – bath spout -  
concealed shower mixer & concealed  
shower mixer with diverter

A member of  SANIPEXGROUP

Please leave these instructions with the customer



## IMPORTANT PLEASE READ

Remove all packaging and check the product for missing parts or damage before starting installation.

Any alterations made to this product and fittings may infringe water regulations and invalidate the guarantee.

The Installation must comply with all Local/National Water Supply Authority Regulations/Byelaws and Building and Plumbing Regulations.

We strongly recommend that your product be installed by a reputable qualified trade's person.

### **General Installation:**

To the Installer, please read and follow this instruction carefully, as the guarantee is only valid if the product is installed as directed.

Don't rush, read the instructions first and run through them before you begin. Keep fittings together to avoid loss. Do not over tighten screws or bolts.

If the product is covered with polyethylene protective film, do not remove until installation is complete to grant maximum protection. However, remove film where any two surfaces will be in permanent contact.

Before making any inlet pipe connections, all supply pipes **MUST** be thoroughly flushed to remove debris.

The fitting of an in-line filter is recommended, Failure to do this could result in damage to the cartridge and components or low flow from the mixer.

The fitting of isolation/stop valves on the inlet feeds is advised for ease of maintenance.

Please leave this installation manual with the end user once the product has been installed.

### **Product Aftercare:**

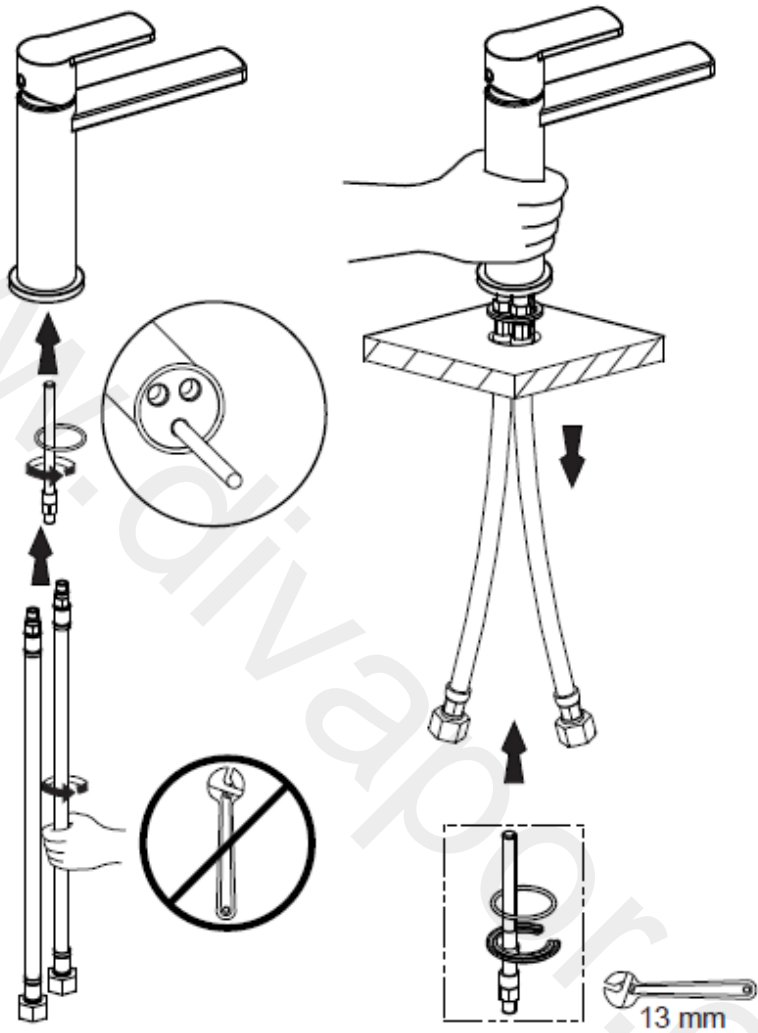
We recommend cleaning with a soft damp cloth and mild soap solution. Do not use cream cleaners or cleaners containing bleach.

Do not scrub or scour.

Do not use abrasive cleaning agents.

Do not use solvent based cleaners.

## Mono Basin Mixer

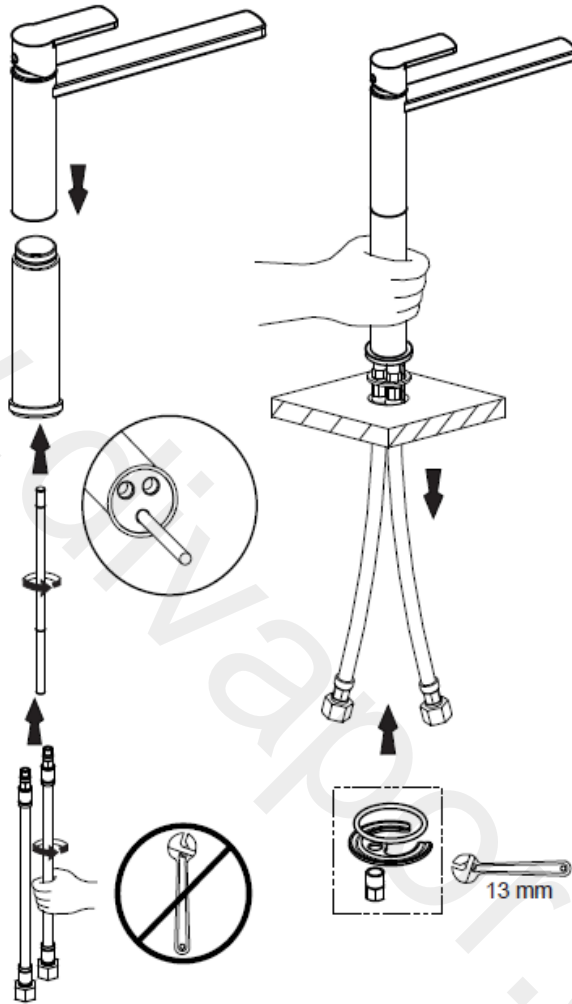


Place the threaded rod and 2 flexible pipes into the body of the mixer, place the assembly through the basin / counter, From the underside, place the 'O' ring followed by the metal 'C' washer onto the threaded rod, then tighten to clamp the mixer to the basin / counter with the back nut, being careful not to over tighten.

Install the flexible pipes, Open the water supplies and test for leaks on the connections.

**\* Before making any inlet pipe connections, all supply pipes MUST be thoroughly flushed to remove debris. Failure to do this could result in damage to the cartridge and components or low flow from the mixer\***

## Tall Mono Basin Mixer

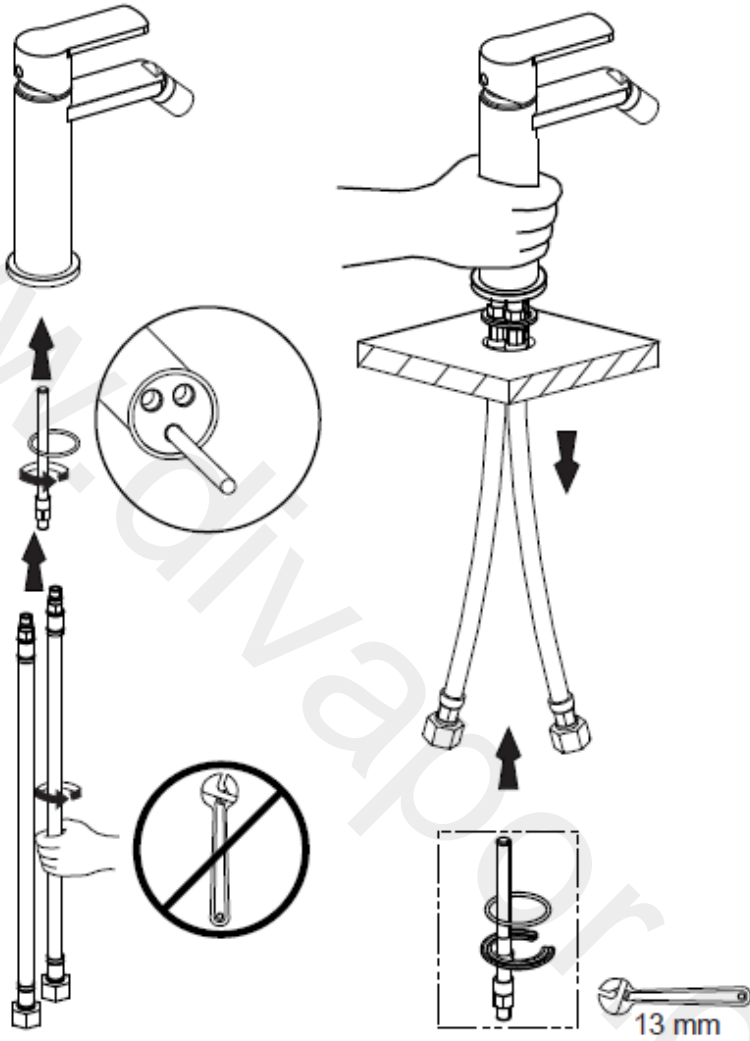


Place the threaded rod and 2 flexible pipes into the body of the mixer, place the assembly over the extension piece and through the basin / counter, From the underside, place the 'O' ring followed by the metal 'C' washer onto the threaded rod, then tighten to clamp the mixer to the basin / counter with the back nut, being careful not to over tighten.

Install the flexible pipes, Open the water supplies and test for leaks on the connections.

**\* Before making any inlet pipe connections, all supply pipes MUST be thoroughly flushed to remove debris. Failure to do this could result in damage to the cartridge and components or low flow from the mixer\***

# Mono Bidet Mixer

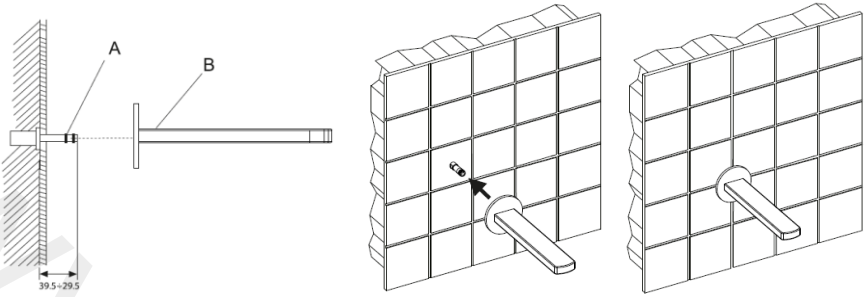


Place the threaded rod and 2 flexible pipes into the body of the mixer, place the assembly through the basin / counter, From the underside, place the 'O' ring followed by the metal 'C' washer onto the threaded rod, then tighten to clamp the mixer to the basin / counter with the back nut, being careful not to over tighten.

Install the flexible pipes, Open the water supplies and test for leaks on the connections.

**\* Before making any inlet pipe connections, all supply pipes MUST be thoroughly flushed to remove debris. Failure to do this could result in damage to the cartridge and components or low flow from the mixer\***

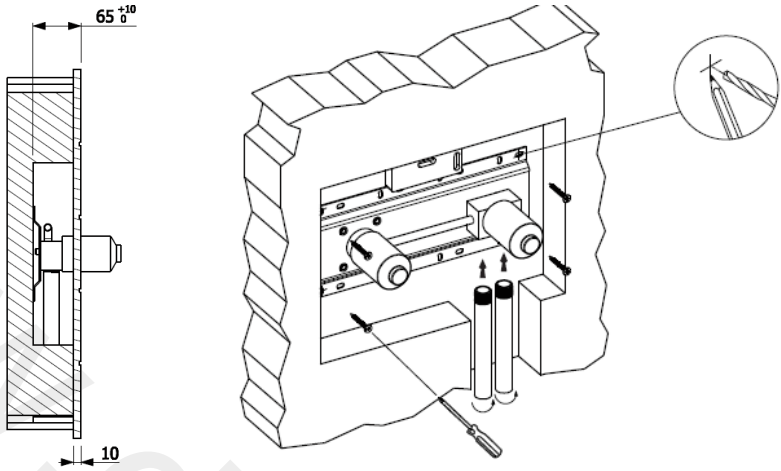
## Bath Spout



Install the spout connector (A) at the depth advised on the diagram above. Push the spout onto the connector and secure with the grub screw on the underside.

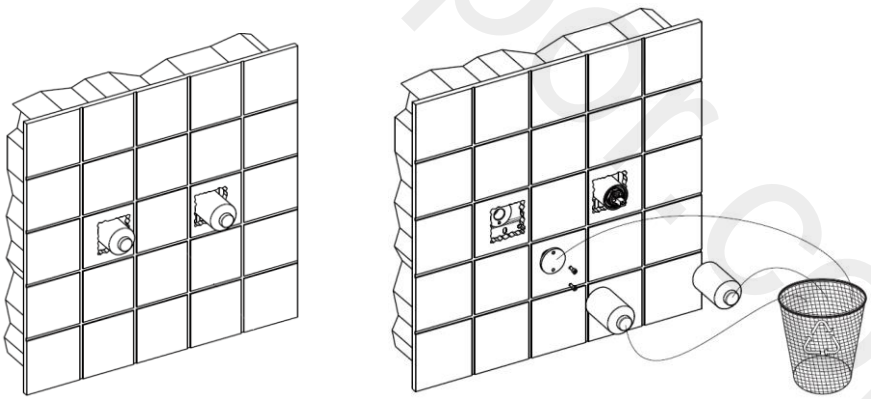
**\* Before making any inlet pipe connections, all supply pipes MUST be thoroughly flushed to remove debris. Failure to do this could result in damage to the cartridge and components or low flow from the mixer\***

# Concealed Basin Mixer



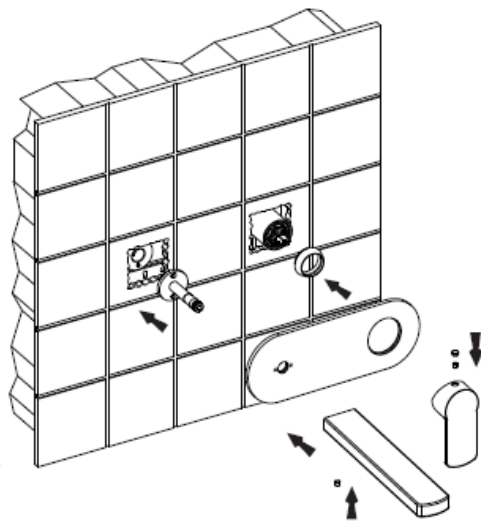
Install the mixer housing (1) at a depth so that the finished surface is between the Min/Max distance markings shown in the diagram. Mark the holes on the fixing bracket. Drill and plug these before fixing the bracket. Connect the Hot and Cold water supplies to the mixer and cap off the outlet connection, pressure test to check for leaks at the connections.

Remove the cap and place on the protection covers



Apply the surrounding finishes, once the surrounding finishes have been applied (Tiles/Marble etc.) remove the protection covers and the metal plate and discard.

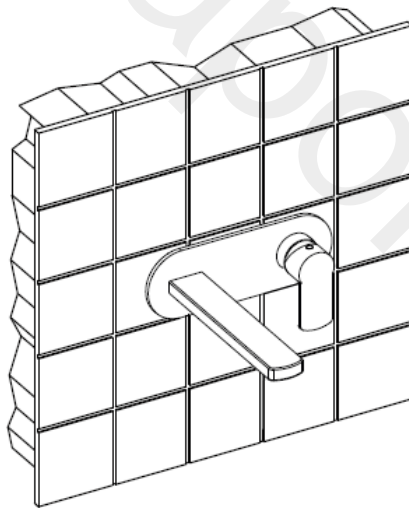




Install the spout extension and secure with the bolts provided. Screw on the cover shroud to the mixer body.

Fit the face plate onto the mixer body and spout extension, it is advised to use a small amount of lubricant on the rubber seals.

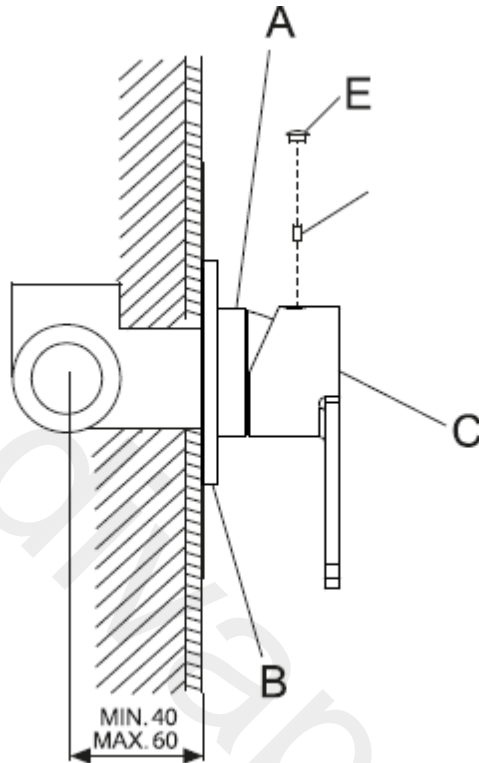
Install the spout onto the extension and secure with the grub screw. Push the handle onto the cartridge pin and secure with the grub screw, then apply the screw cover.



Open the water supplies and re-test for leaks.

**\* Before making any inlet pipe connections, all supply pipes MUST be thoroughly flushed to remove debris. Failure to do this could result in damage to the cartridge and components or low flow from the mixer\***

## Concealed Shower Mixer



Install the mixer housing (A) at a depth so that the finished surface is between the Min/Max distance markings shown in the diagram.

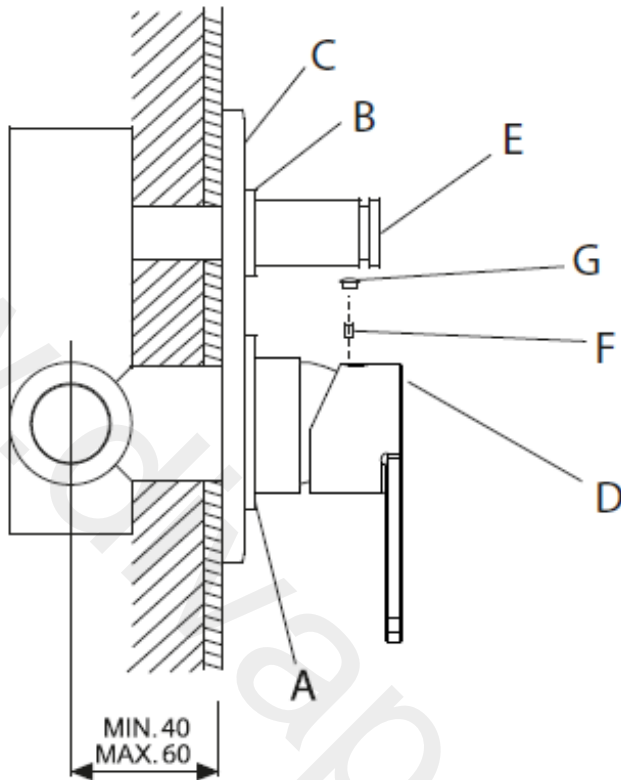
Connect the Hot and Cold water supplies to the mixer, then install the mixed water supply, cap off and pressure test to prevent any future leakage\*

Once the surrounding finishes have been applied (Tiles/Marble etc.) remove the protection covers. Fit the face plate (B) onto the mixer body, it is advised to use a small amount of lubricant on the rubber seals. Slide the handle (C) onto the cartridge pin and secure with the grub screw (D), then push on the cover cap (E).

Open the water supplies and re-test for leaks.

**\* Before making any inlet pipe connections, all supply pipes MUST be thoroughly flushed to remove debris. Failure to do this could result in damage to the cartridge and components or low flow from the mixer\***

## Concealed Shower Mixer with Diverter



Install the mixer housing (A) at a depth so that the finished surface is between the Min/Max distance markings shown in the diagram.

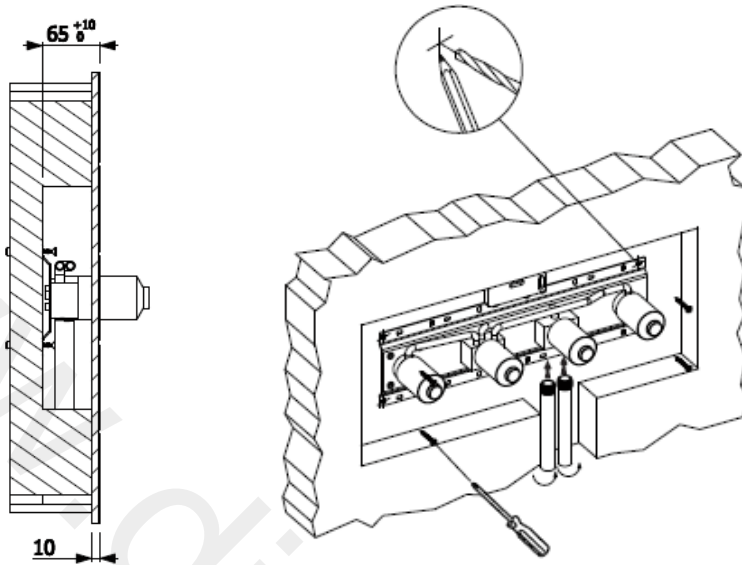
Connect the Hot and Cold water supplies to the mixer, then install the mixed and diverted water supplies, cap off and pressure test to prevent any future leakage\*

Once the surrounding finishes have been applied (Tiles/Marble etc.) remove the protection covers. Fit the face plate (C) onto the mixer body, it is advised to use a small amount of lubricant on the rubber seals. Slide the handle (D) onto the cartridge pin and secure with the grub screw (F), then push on the cover cap (G).

Open the water supplies and re-test for leaks.

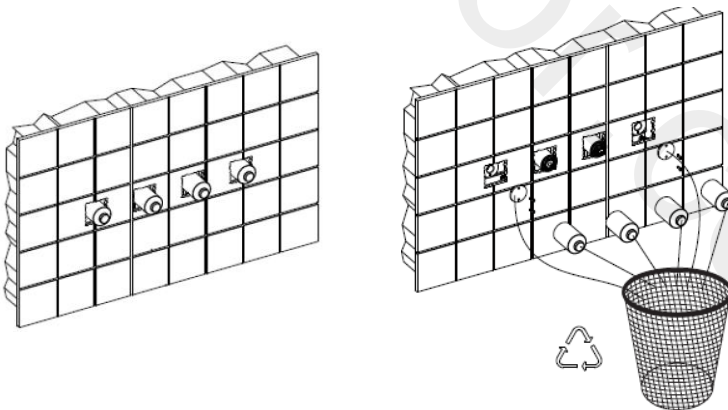
**\* Before making any inlet pipe connections, all supply pipes MUST be thoroughly flushed to remove debris. Failure to do this could result in damage to the cartridge and components or low flow from the mixer\***

## Concealed Bath/Shower Mixer

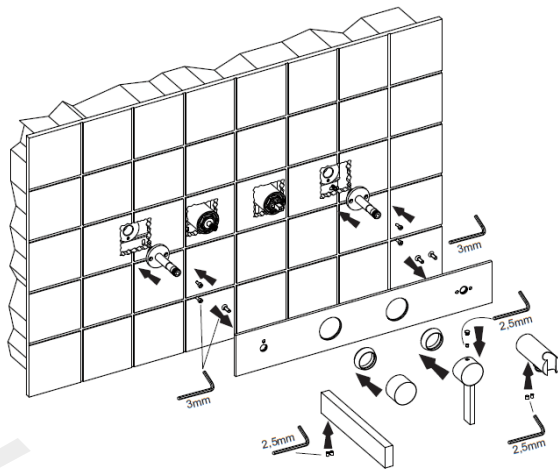


Install the mixer housing (1) at a depth so that the finished surface is between the Min/Max distance markings shown in the diagram. Mark the holes on the fixing bracket. Drill and plug these before fixing the bracket. Connect the Hot and Cold water supplies to the mixer and cap off the outlet connection, Connect the Hot and Cold water supplies to the mixer and pressure test to check for leaks at the connections.

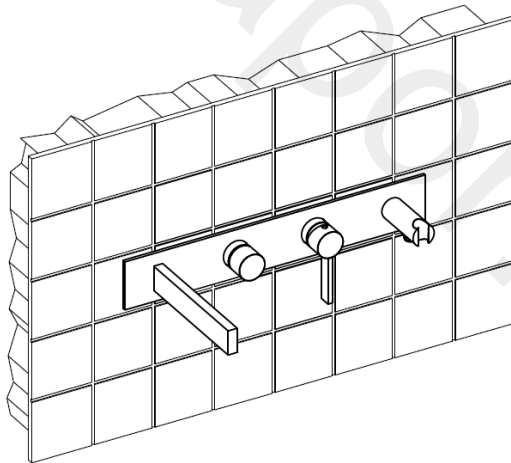
Remove the cap and place on the protection covers



Apply the surrounding finishes, once the surrounding finishes have been applied (Tiles/Marble etc.) remove the protection covers and the metal plates and discard.



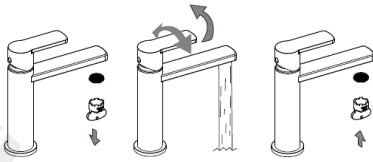
Install the spout extension and the hand-shower holder, secure with the screws provided. Screw on the cover shroud to the mixer body. Fit the face plate onto the mixer body and spout extensions, it is advised to use a small amount of lubricant on the rubber seals. Install the spout onto the extension and secure with the 2x grub screws, do the same for the hand-shower holder. Push the handle onto the cartridge pin and secure with the grub screw, then apply the screw cover. do the same for the diverter handle. Lastly connect the hose to the hand-shower holder outlet and to the hand-shower.



Open the water supplies and re-test for leaks.

**\* Before making any inlet pipe connections, all supply pipes MUST be thoroughly flushed to remove debris. Failure to do this could result in damage to the cartridge and components or low flow from the mixer\***

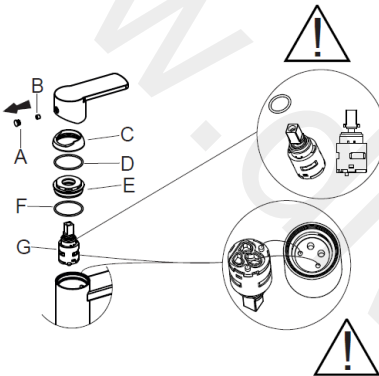
## MAINTENANCE



Periodically the aerator will need to be cleaned.

Using the key provided remove the aerator from the spout. Flush the aerator under water to remove the small debris.

Install the aerator back into the tap and re-tighten.

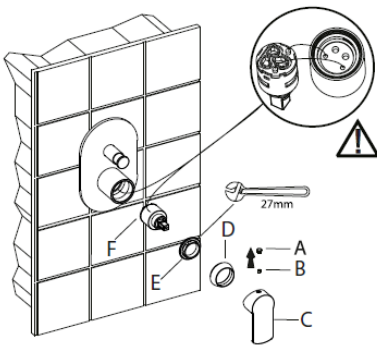


### Deck Mixer Cartridges:

To remove the cartridge, remove the push cover (A), using an Allen key loosen the grub screw (B) this will allow the handle to be removed.

Unwind the shroud (C) and remove washer (D), Carefully with a spanner loosen the locking nut (E) and remove washer (F), this will allow the cartridge (G) to be taken out and replaced. Be careful not to lose any of the assembly parts.

When inserting the new cartridge make sure the 2 locating points align, then re-assemble as above.



### Concealed Mixer Cartridges:

To remove the cartridge, remove the push cover (A), using an Allen key loosen the grub screw (B) this will allow the handle (C) to be removed.

Unwind the shroud (D), carefully with a spanner loosen the locking nut (E), this will allow the cartridge (F) to be taken out and replaced. Be careful not to lose any of the assembly parts.

When inserting the new cartridge make sure the 2 locating points align, then re-assemble as above.



