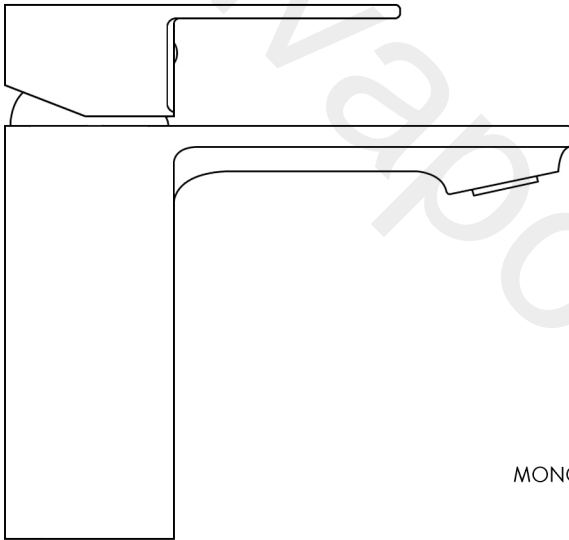


# BAGNODESIGN

EXPERTLY CRAFTED BATHROOMS

---

## General Installation Guide



## Zephyr

**MODELS COVERED:**  
MONO BASIN MIXER W/PUW  
MONO SMOOTH BODIED BASIN MIXER  
TALL BASIN MIXER W/PUW  
BIDET MIXER W/PUW  
CONCEALED BASIN MIXER  
EXPOSED BATH/SHOWER MIXER  
FLOOR MOUNTED BATH/SHOWER MIXER  
WALL MOUNTED BATH SPOUT  
CONCEALED SHOWER MIXER  
CONCEALED SHOWER MIXER WITH DIVERTER  
4 HOLE DECK MOUNTED BATH MIXER  
KITCHEN MIXER

Please leave these instructions with the customer

## IMPORTANT PLEASE READ

All products manufactured and supplied by BAGNODESIGN are fit for purpose as long as they are Installed, used correctly, cleaned and receive regular maintenance in accordance with these instructions...

Remove all packaging and check the product for damage or missing parts before commencing with the installation.

Any alterations made to this product and its components may infringe product certification, infringe water regulations and invalidate the guarantee.

The Installation must comply with all local/national water supply authority regulations/byelaws and building and plumbing regulations, therefore we strongly recommend that your product be installed by a reputable qualified trade's person.

## PRODUCT LIFECYCLE

*"The product lifecycle is the collective stages that a product goes through from its conception and design through to its ultimate disposal."*

## DISPOSAL GUIDANCE

The best way to ensure your Product has a long life is to follow the Care and Maintenance guides set by the Manufacture after purchase. This document can be found at [www.bagnodesignlondon.com](http://www.bagnodesignlondon.com)

The lifecycle of the product is not in correlation to the product Guarantee; the standards the products are manufactured or certified to (e.g. CE & WRAS) can exceed past the Guarantee duration.

After the lifecycle of the product is deemed complete by the end-user please follow the below to dispose of the items correctly...

### **Mixers (Taps):**

If the mixers are no longer accepted due to mechanical use or aesthetic style, these can be disposed of at a registered Local Authority waste recycling centre where the individual components can be sorted.

## CLEANING CARE GUIDE

Please follow the below recommendations to ensure the product performs to your satisfaction and gives many years of use:

We recommend cleaning with a soft damp cloth and mild soap solution.

Do not use cream cleaners, cleaners containing bleach or abrasive cleaning agents

Do not scrub or scour.

Do not use solvent based cleaners.

Some nickel finishes will very slightly darken over time.

Specific stainless steel cleaners can be used on stainless steel products.

## GENERAL INSTALLATION:

To the installer, please read and follow these instructions carefully, as the guarantee is only valid if the product is installed as directed.

Don't rush, read the instructions first and run through them before you begin, keep the fittings together to avoid loss, do not overtighten screws or bolts.

If the product is covered with polythene protective film, do not remove until the installation is complete to grant maximum protection. However, remove film where any two surfaces will be in permanent contact. If tools are required to be used on a 'finished' surface, please place a cloth or similar over the area to protect the item from unnecessary scratching.

Before making any inlet pipe connections, all supply pipes **MUST** be flushed to remove debris such as solder, swarf, plastics and other building/construction substances.

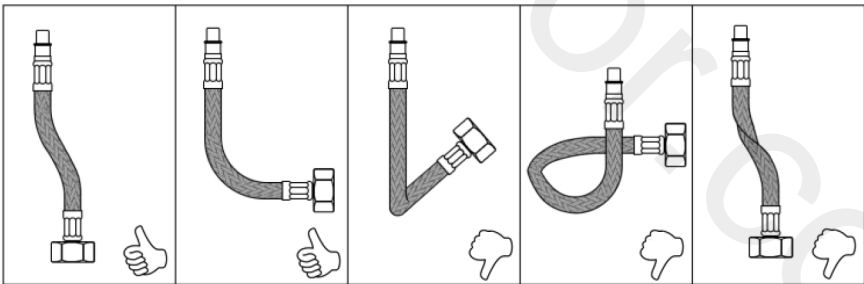
The fitting of an in-line filter is recommended, failure to do this could result in damage to the cartridge and its components, it could also result in poor performance water flow from the outlet.

The fitting of isolation/stop valves on the inlet feeds is advised for ease of maintenance.

On fittings such as faceplates a small amount of lubrication is recommended on the rubber seals for ease of fitting.

## CONNECTIONS:

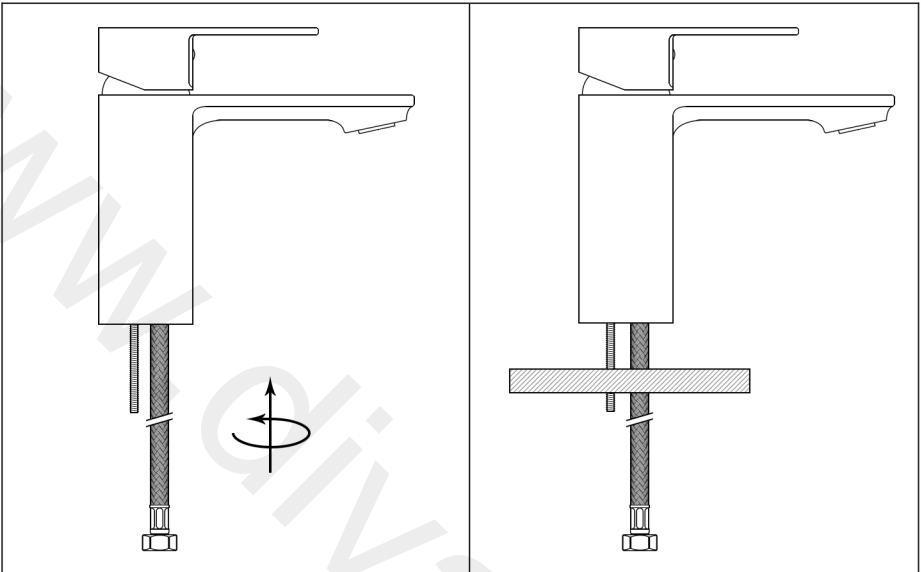
Flexible inlet pipes must be connected carefully to the plumbing system so that they do not **bend, twist or kink**. Failure to do so can result in poor performance from the mixer and possible failure of the hose leading to bursting and leakage.



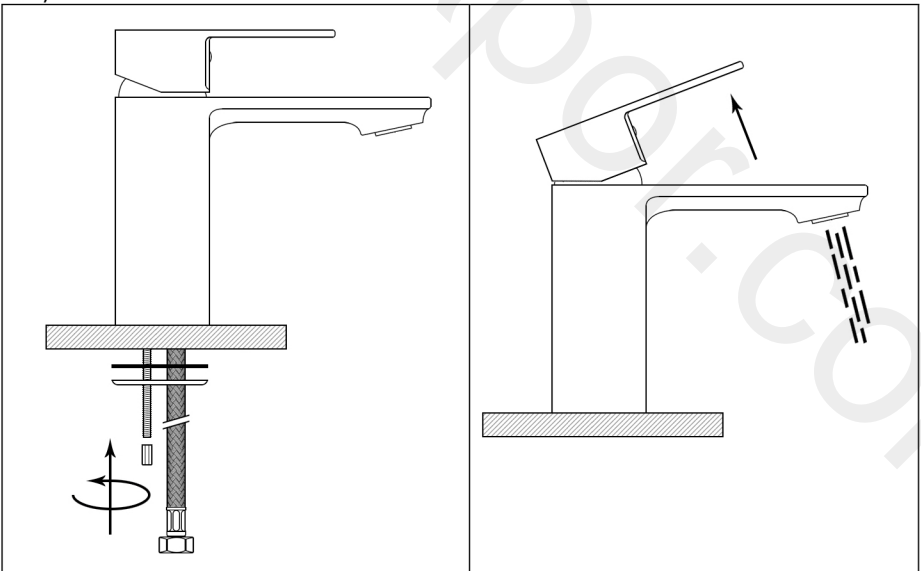
Pipework to concealed mixers must be installed in accordance to local regulations and is recommended to be insulated to prevent heat loss, prevent freezing and reduce condensation.

Hot and cold operating pressures should be kept as balanced as possible in order to maintain maximum efficiency.

MONO BASIN MIXER W/PUW  
MONO SMOOTH BODIED BASIN MIXER  
TALL BASIN MIXER W/PUW  
BIDET MIXER W/PUW

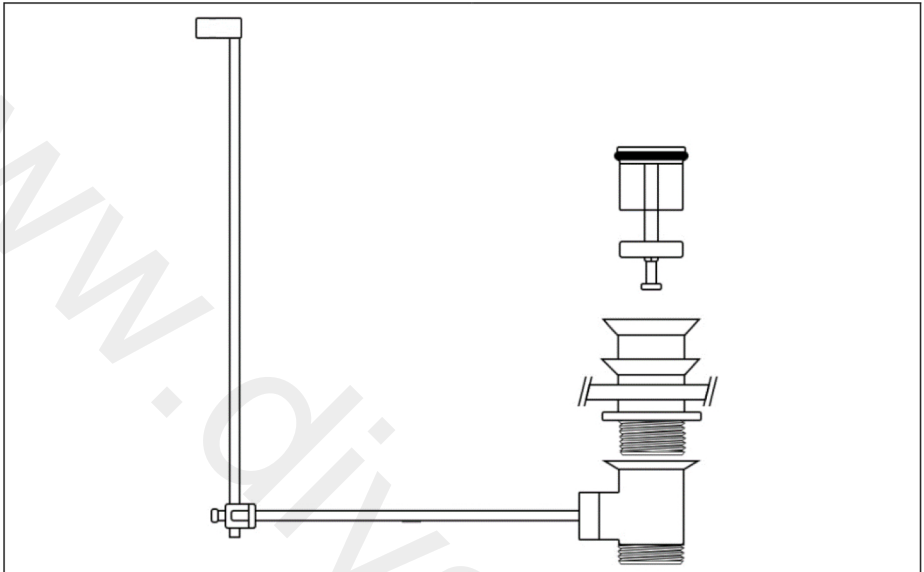


Install the threaded rods and **hand-tighten** the flexi-pipes into the bottom of the mixer body. Feed the assembly through the hole in the basin/countertop.



Slide the rubber 'C' washer followed by the metal 'C' washer and tighten the back nuts with a spanner to secure the mixer. Flush the pipework then connect the flexi-pipes to the isolation valves, Turn on the water, run the tap and check for leaks.

## POP-UP WASTE ASSEMBLY (PUW)

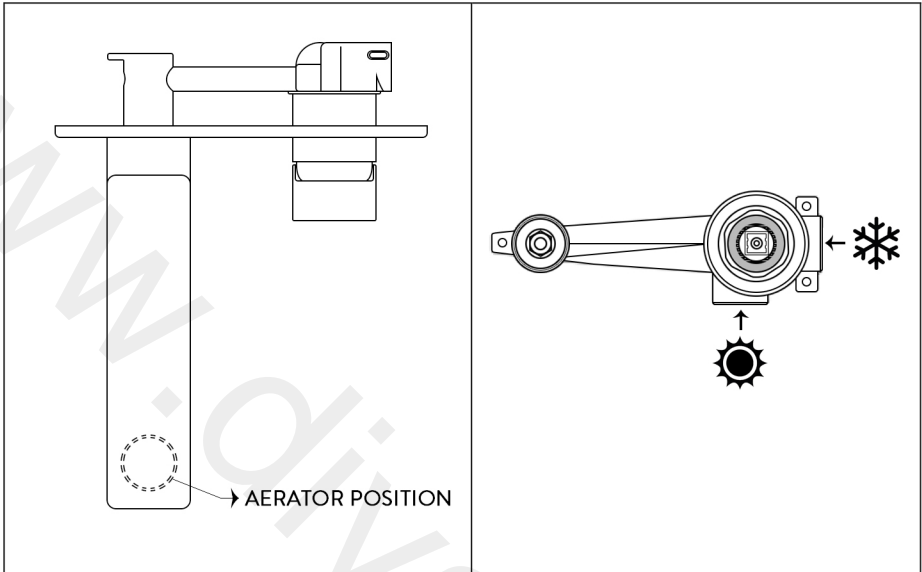


Install the waste ensuring that the foam washer is in between the waste and the basin on the top portion of the waste, the rubber washer is to be placed under the basin before the bottom part of the waste is connected and tightened up.

Insert the vertical pop up rod into the mixer body and connect to the horizontal rod on the waste body using the connector provided. Slide down push rod into rod link then push both rods down to the furthest point and tighten.

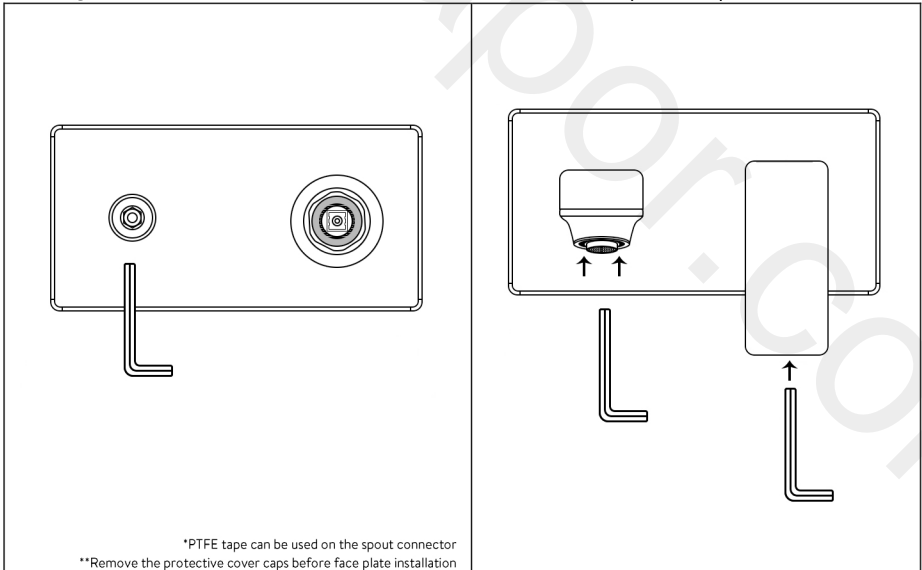
Adjust the plunger by screwing in/out to suit the depth required, secure with the back-nut.

# CONCEALED BASIN MIXER



Install the concealed part at a depth so that the finished surface is between the Min/Max markings shown above.

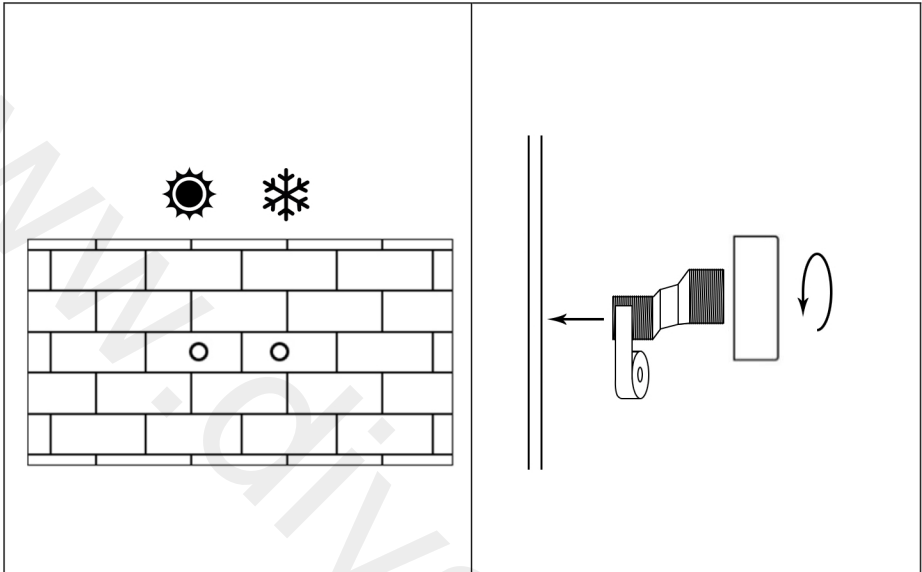
Install the **cold** water supply from the right and the **hot** water supply from underneath (if possible pressure test).



Apply the surrounding finishes, fit the face-plate onto the valve body and secure by installing the spout connector.

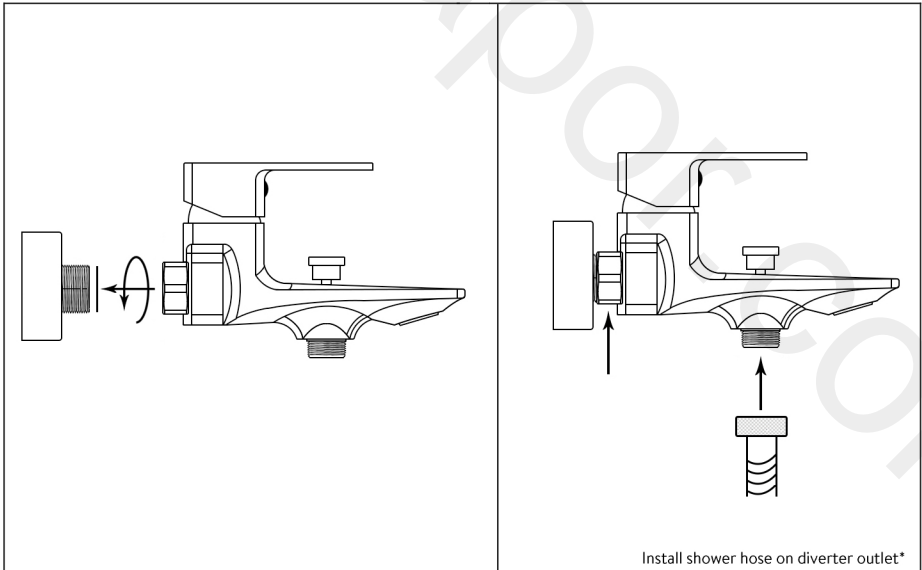
Install the spout and handle, secure by tightening the grub screws. Turn on the water and test the mixer.

# EXPOSED BATH/SHOWER MIXER



Pre-Install two ½" female fittings, level and 150mm apart, these fitting must be flush to the finished wall surface.

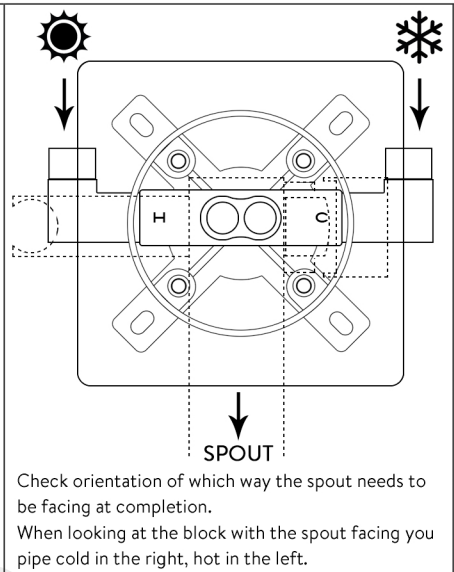
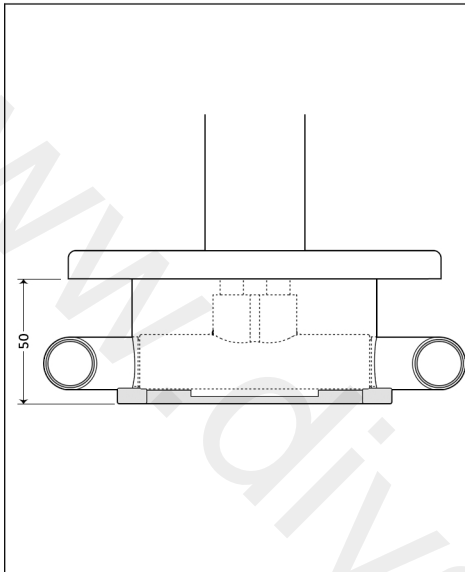
Wrap the offset eccentrics with PTFE tape and install into the wall fixings. Screw on the cover shrouds until secure to the wall.



Install the washers/filters in to the mixer body, then hand tighten the mixer to the eccentrics, ensure level-ness.

Place a cloth over the nuts to protect from scratching when fully tightening with a spanner. Turn on the water and test.

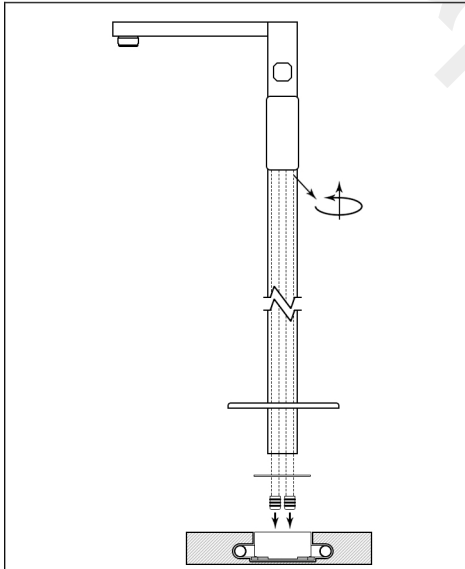
# FLOOR MOUNTED BATH/SHOWER MIXER



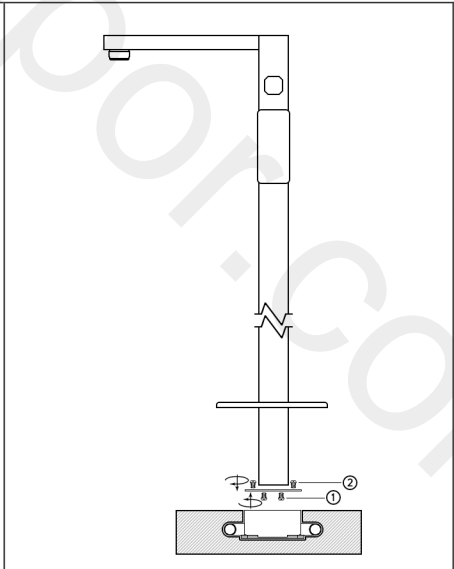
Check orientation of which way the spout needs to be facing at completion.  
 When looking at the block with the spout facing you pipe cold in the right, hot in the left.

Install block to a firm substrate, take a Measure from the block X and ensure that the block finishes level with the final floor

Please take great care when piping the block as this is not adjustable at a later stage...



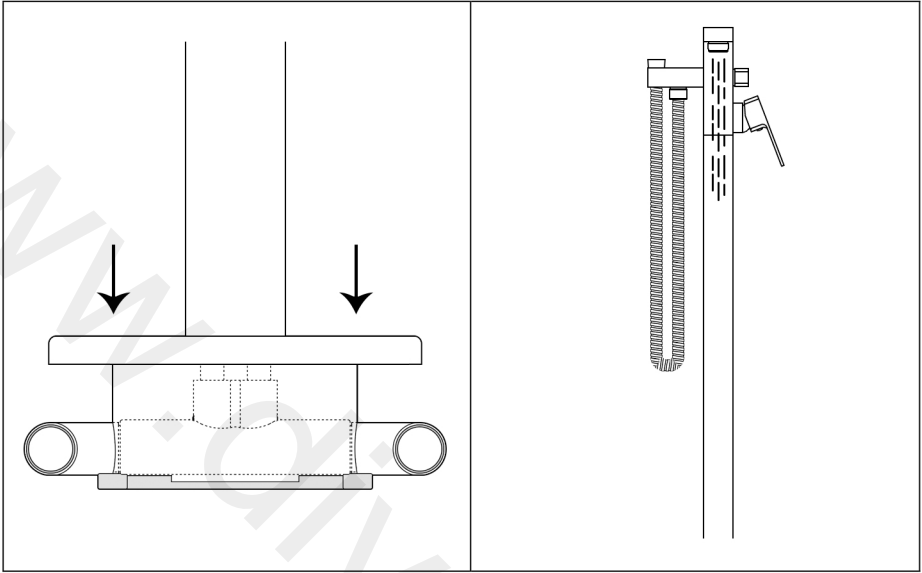
Remove the protection plugs from the block. Align the two water supplies spigots with the connections in the block. Gently push them home.



With great care, Slide the cover plate up the mixer column. Install the fixing bracket onto the bottom of the mixer column. Bolt down the mixer column to the floor block and tighten.



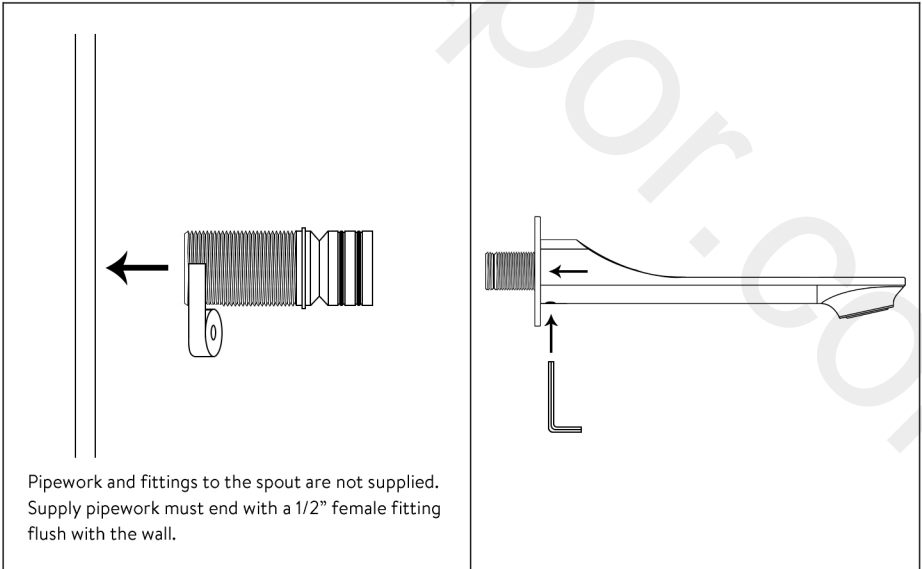
## FLOOR MOUNTED BATH/SHOWER MIXER CONT...



Again with great care, slide the cover plate down to cover the fixing plate and block.

Open the water supplies, turn on the mixer and test for leaks.

## WALL MOUNTED BATH SPOUT

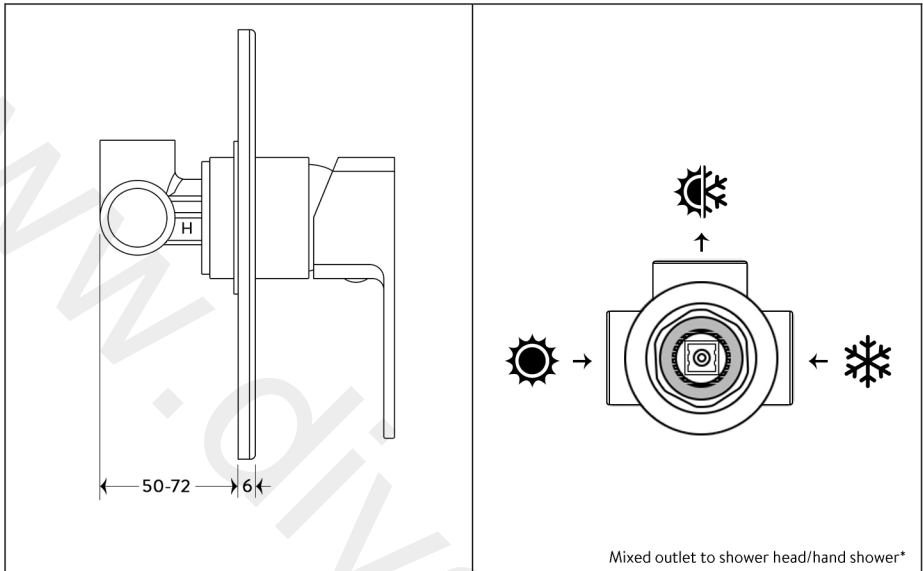


Pipework and fittings to the spout are not supplied. Supply pipework must end with a 1/2" female fitting flush with the wall.

Wrap the spout connector with PTFE tape and install into the female wall fitting.

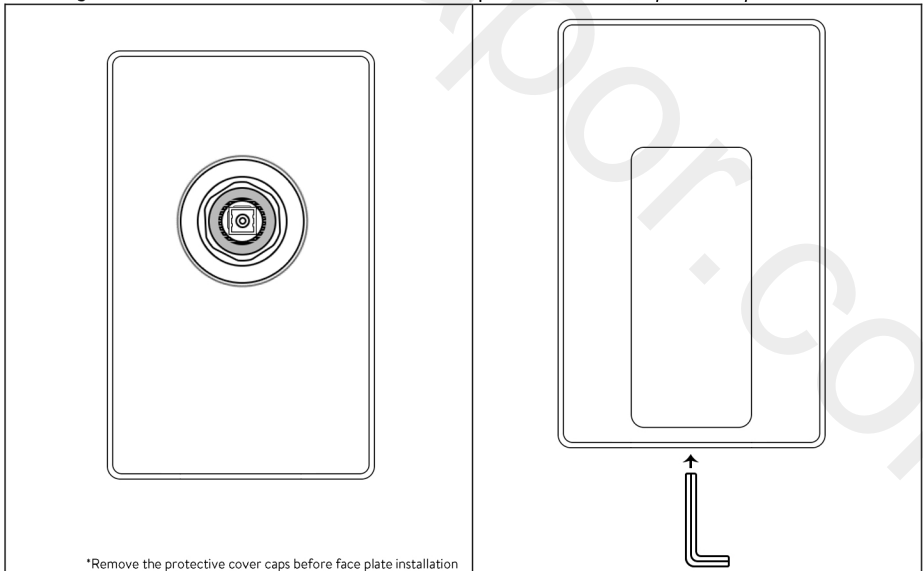
Slide the spout into the spout connector and secure by tightening the grub screw.

# CONCEALED SHOWER MIXER



Install the concealed part at a depth so that finished surface is between the Min/Max markings shown above.

Install the **cold** water supply from the **right** and the **hot** water supply from the **left** as per the above (if possible pressure test).

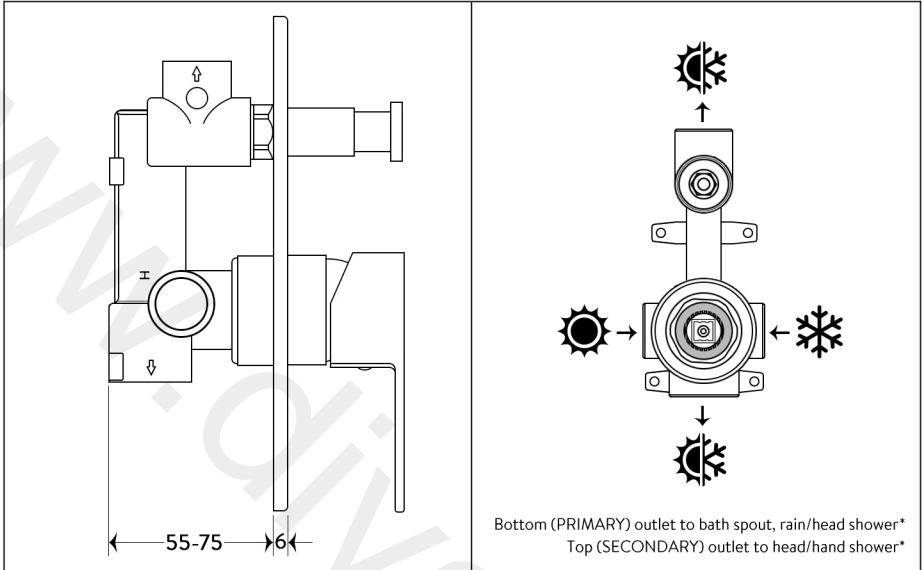


\*Remove the protective cover caps before face plate installation

Apply the surrounding finishes, fit the face-plate onto the valve body.

Install the handle onto the cartridge pin and secure by tightening the grub screw. turn on the water and test the mixer.

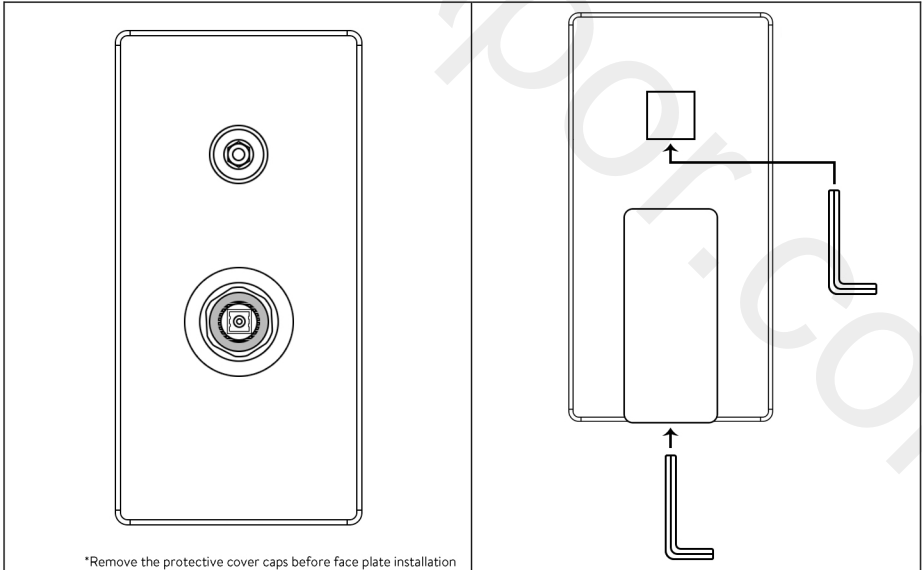
# CONCEALED SHOWER MIXER WITH DIVERTER



Bottom (PRIMARY) outlet to bath spout, rain/head shower\*  
Top (SECONDARY) outlet to head/hand shower\*

Install the concealed part at a depth so that finished surface is between the Min/Max markings shown above.

Install the **cold** water supply from the **right** and the **hot** water supply from the **left** as per the above (if possible pressure test).

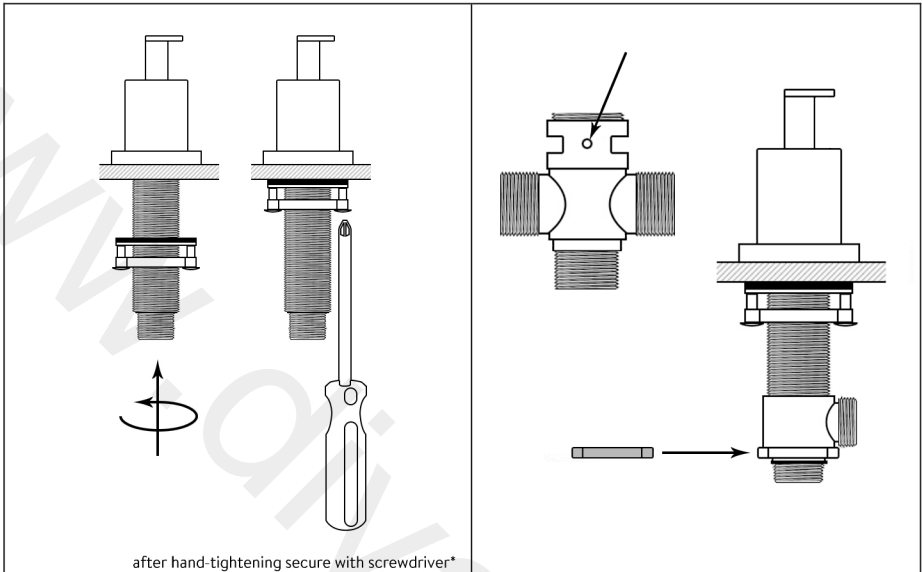


\*Remove the protective cover caps before face plate installation

Apply the surrounding finishes, fit the face-plate onto the valve body.

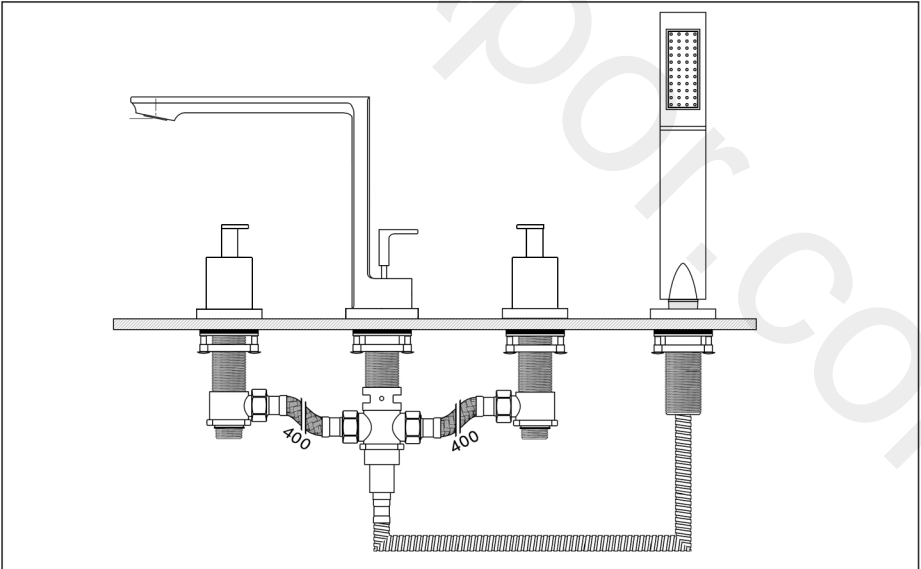
Install the diverter knob and mixer handle, secure by tightening the grub screws. Turn on the water and test the mixer.

## 4 HOLE DECK MOUNTED BATH MIXER



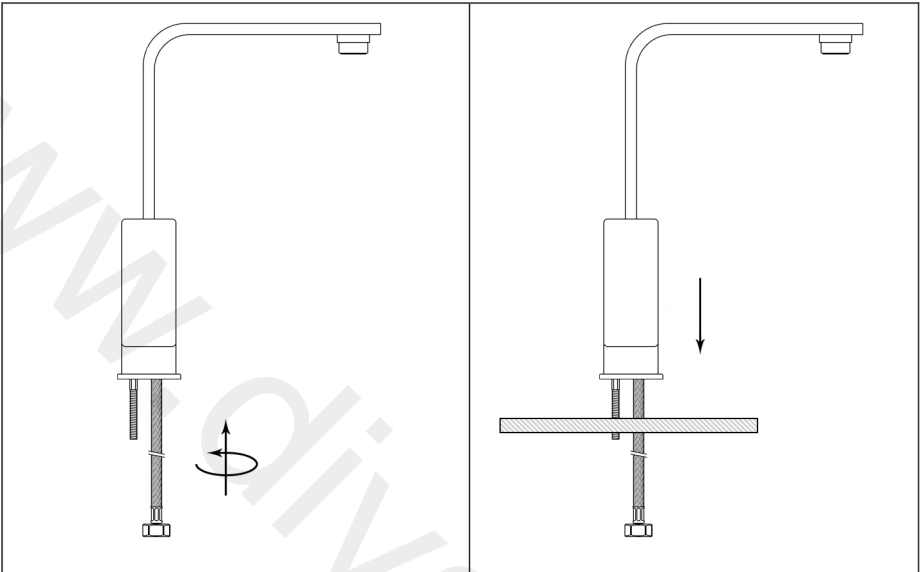
Install the components into the holes in the bathtub, from underneath place the rubber & metal washer and tighten with back nuts\*

Put the connectors on the threaded bodies and secure with the 'C' clips. The spout T also requires securing with grub screw.

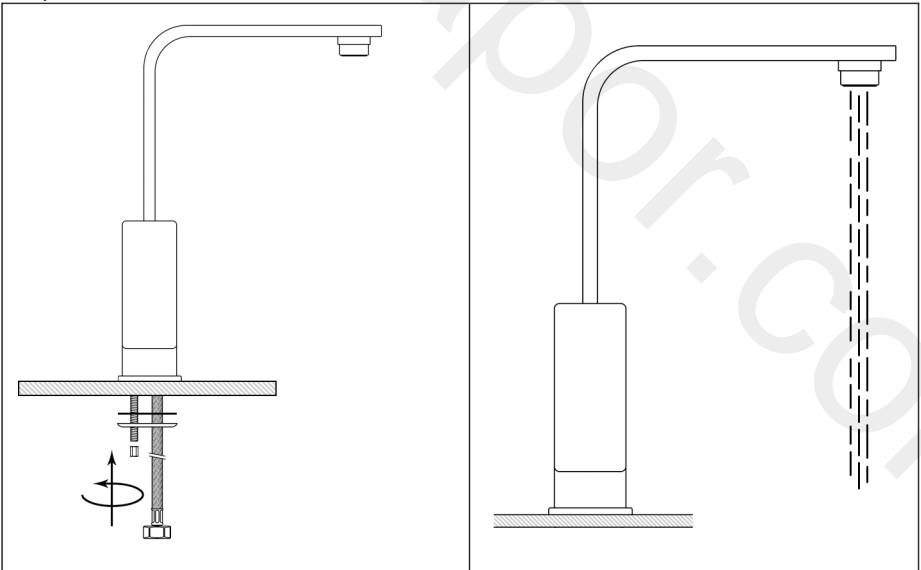


Install the 400 flexi-pipes from the valves to the spout connection T, slide the shower hose through the holder and connect to the bottom outlet of the spout T. Install the hand-shower to the shower hose. Connect water supplies to the valves, turn on and test.

# KITCHEN MIXER

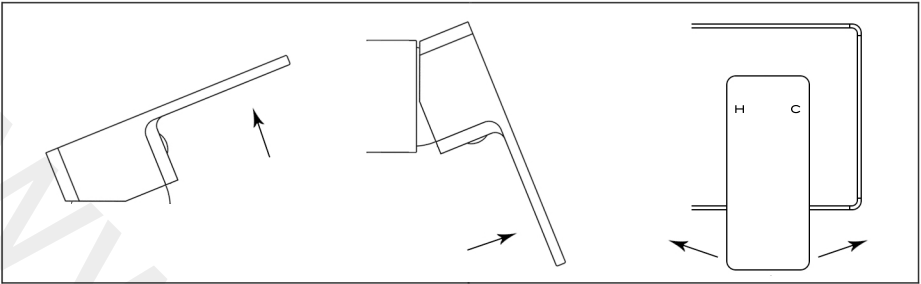


Install the threaded rods and **hand-tighten** the flexi-pipes into the bottom of the mixer body. Feed the assembly through the hole in the kitchen sink/countertop.



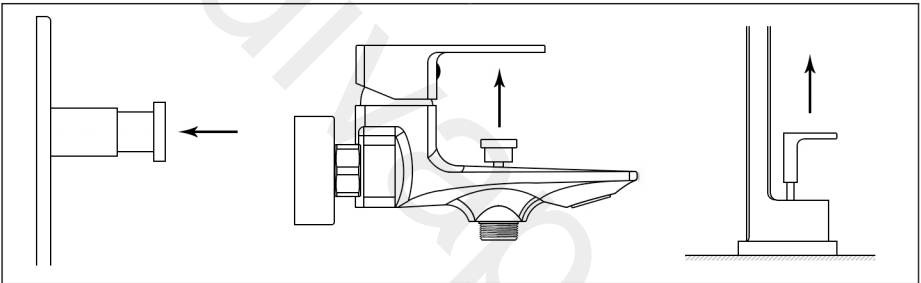
Slide the rubber 'C' washer followed by the metal 'C' washer and tighten the back nuts with a spanner to secure the mixer. Flush the pipework then connect the flexi-pipes to the isolation valves, Turn on the water, run the tap and check for leaks.

## OPERATION MONO



To control water flow on deck mounted mixers lift the handle upward, pull forward for wall mounted mixers. To adjust the temperature, turn the handle to the right for cold water and left for hot water.

## OPERATION DIVERTER



All diverters only function when the main water supply is turned on, for concealed shower valves push the button in to divert, on exposed bath/shower mixers lift the diverter button upward and for deck mounted bath/shower mixers lift the lever behind the spout.

## CLEANING CARE GUIDE

Please follow the below recommendations to ensure the product performs to your satisfaction and gives many years of use.

We recommend cleaning with a soft damp cloth and mild soap solution.

Do not use cream cleaners, cleaners containing bleach or abrasive cleaning agents

Do not scrub or scour.

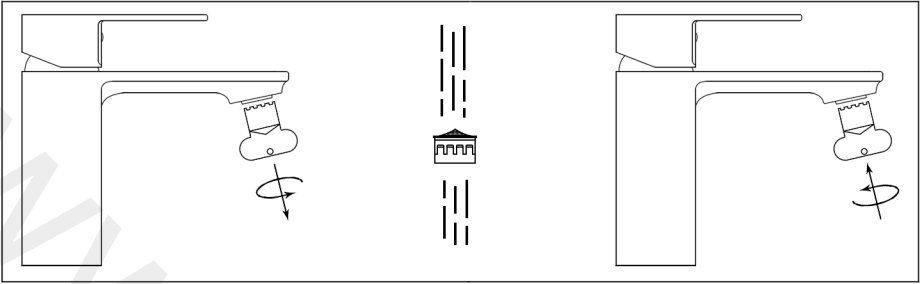
Do not use solvent based cleaners.

Some nickel finishes will very slightly darken over time.

Specific stainless steel cleaners can be used on stainless steel products.

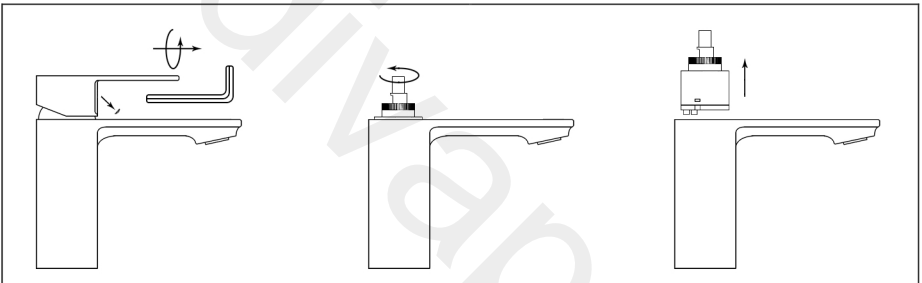
## MAINTENANCE

### AERATOR



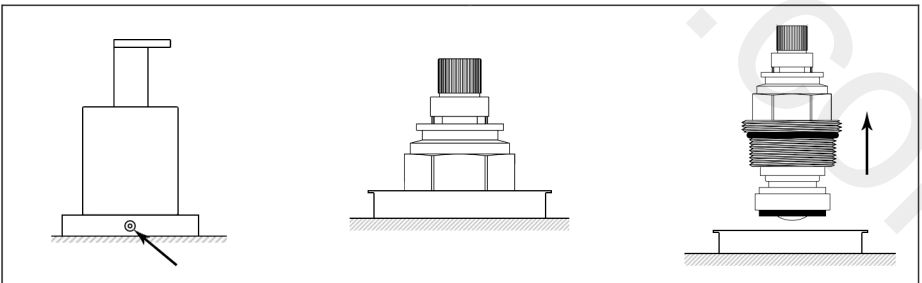
Periodically the aerator will need to be cleaned. Using an aerator key, remove the aerator from the spout, flush the aerator under water to remove the small debris or soak overnight. Re-install the aerator back into the tap and re-tighten.

### CARTRIDGE



Remove the push cover. Using an Allen key loosen the grub screw this will allow the handle to be removed. Unwind the shroud, Care-fully with a spanner loosen the locking nut, this will allow the cartridge to be taken out and replaced. When inserting the new cartridge make sure the 2 locating points align, then re-assemble.

### VALVE



Remove the grub screw on the reverse side of the valve body and lift up. Using a spanner carefully unwind the cartridge from the valve housing. Remove, replace and re-assemble.

# BAGNODESIGN

EXPERTLY CRAFTED BATHROOMS

---

---

---

---

---

---

---

---

---

---

---

---

---

---

---

---

Oakwell Way, Birstall  
Leeds, England WF9 17LU

A member of  SANIPEX GROUP