



LEFROY BROOKS

IBROC HOUSE ESSEX ROAD
HODDESDON HERTS EN11 0QS UK
T: +44 (0)1992 708 316 F: +44 (0)1992 708 317

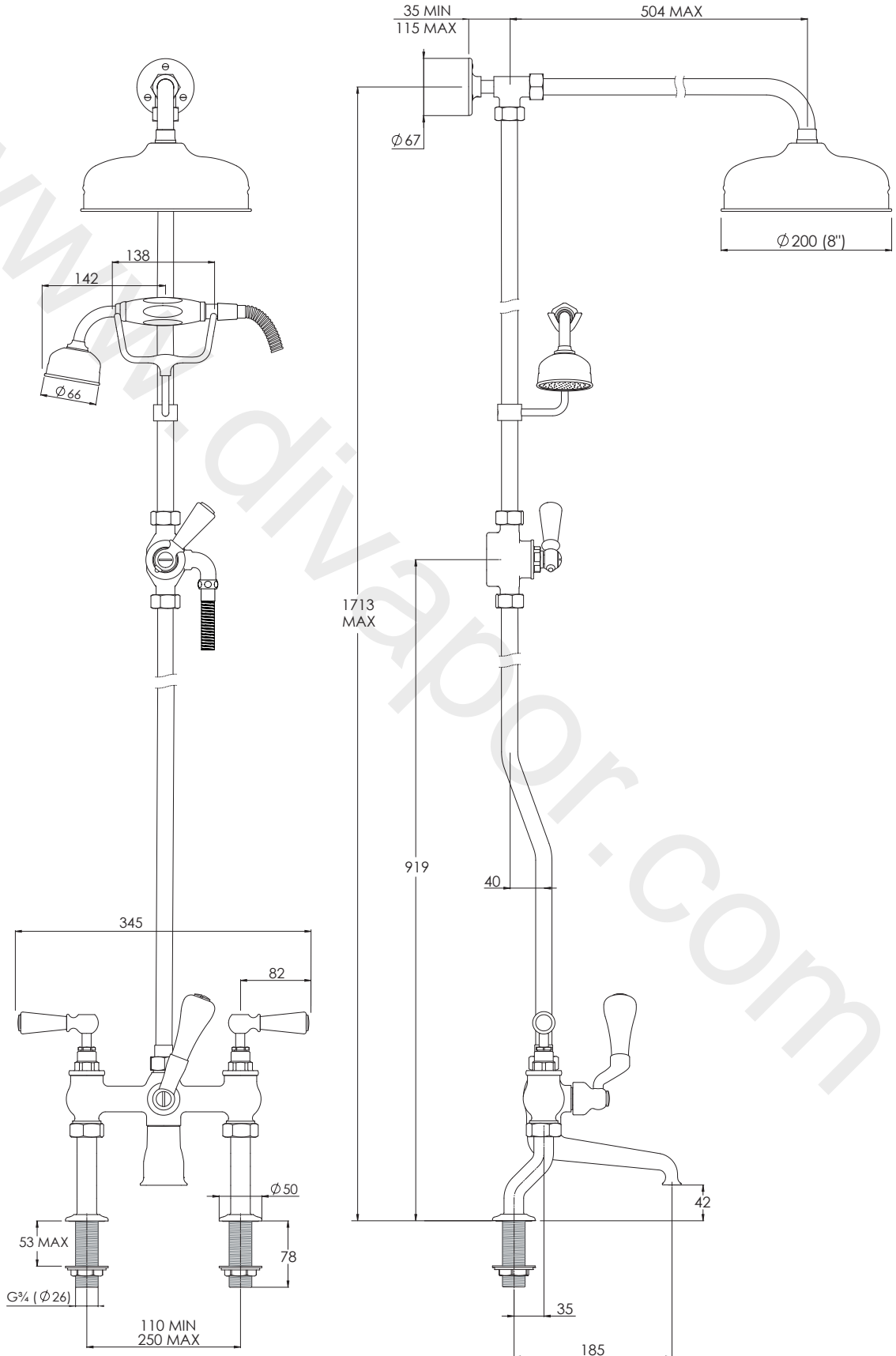
BL1701

CLASSIC DECK MOUNTED BATH SHOWER MIXER WITH BLACK LEVERS, RISER KIT, LEVER DIVERTER, HANDSHOWER AND 8" ROSE

DIMENSIONAL DATA SHEET

DATE: 11/01/21

REVISION: A



DIMENSIONS IN MILLIMETRES

WHILST EVERY EFFORT IS MADE TO ENSURE THE ACCURACY OF THESE DATA SHEETS THEY ARE SUBJECT TO CHANGE WITHOUT NOTICE AS PART OF THE COMPANY'S PRODUCT DEVELOPMENT PROCESS