

**ISTRUZIONI DI MONTAGGIO**

**IT**

**FITTING INSTRUCTIONS**

**EN**

**INSTRUCTIONS DE MONTAGE**

**FR**

**INSTRUCCIONES DE MONTAJE**

**ES**

**Инструкции по монтажу**

**RU**

**إرشادات خاصة في تركيب**

**AR**

**BELMONDO**



**BT250**



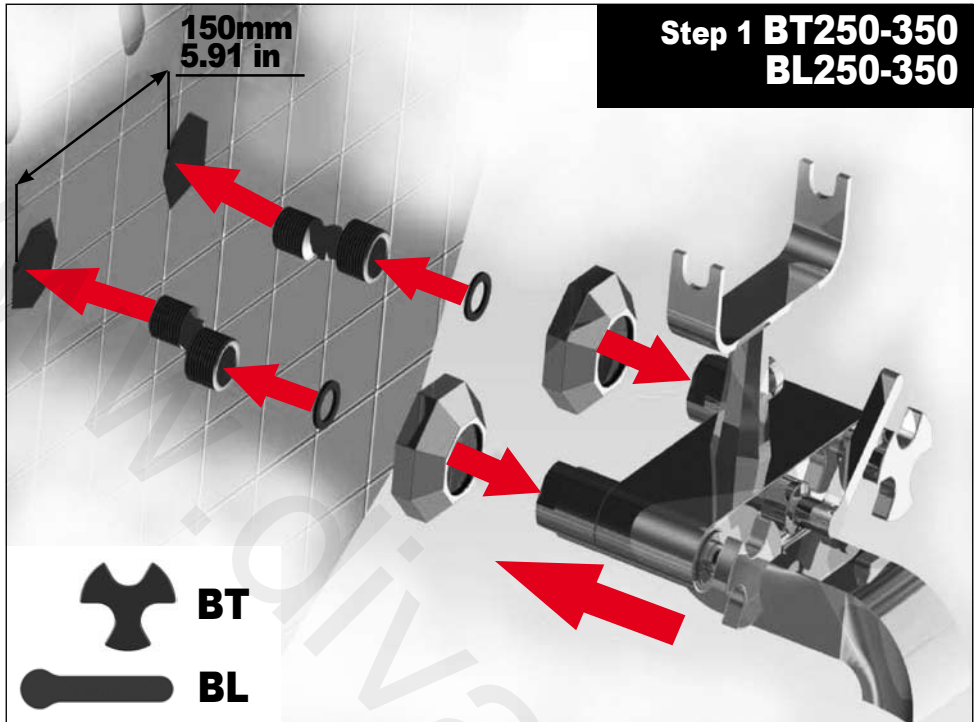
**BL250**



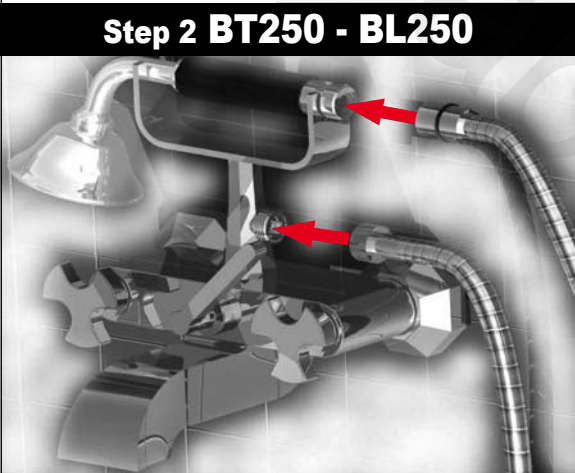
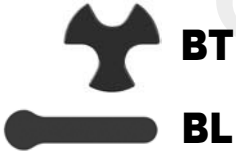
**BT350**



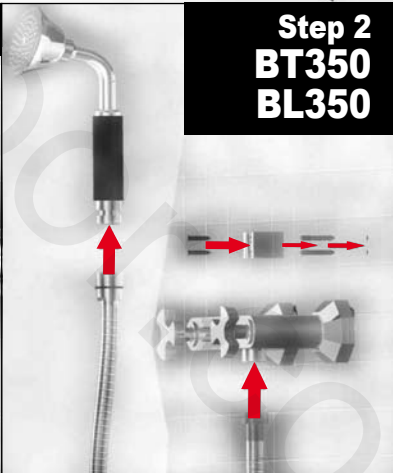
**BL350**



**Step 1 BT250-350  
BL250-350**



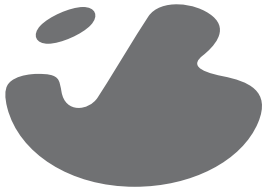
**Step 2 BT250 - BL250**



**Step 2  
BT350  
BL350**

**IMPORTANT**  
**Pressure & Temperature Requirements.**

- \* Hot and cold water inlet pressures should be equal.
- \* Inlet pressure range: 150-1000 kPa
- \* New Regulation: -500 kPa maximum operating pressure at any outlet within a building. (Ref. AS/NZS 3500.1-2003, Clause 3.3.4)
- \* Maximum hot water temperature: 80°C.



[www.ibrubinetterie.it](http://www.ibrubinetterie.it)

**IB RUBINETTERIE s.p.a.**  
 via dei Pianotti 3/5  
 25068 Sarezzo (BS)  
 phone +39 030 802101  
 fax +39 030 803097  
 ibrubinetterie@ibrubinetterie.it  
 www.ibrubinetterie.it