

**ISTRUZIONI DI MONTAGGIO**

**IT**

**FITTING INSTRUCTIONS**

**EN**

**INSTRUCTIONS DE MONTAGE**

**FR**

**INSTRUCCIONES DE MONTAJE**

**ES**

**Инструкции по монтажу**

**RU**

**إرشادات خاصة في تركيب**

**AR**

**BELMONDO**



**BT250**



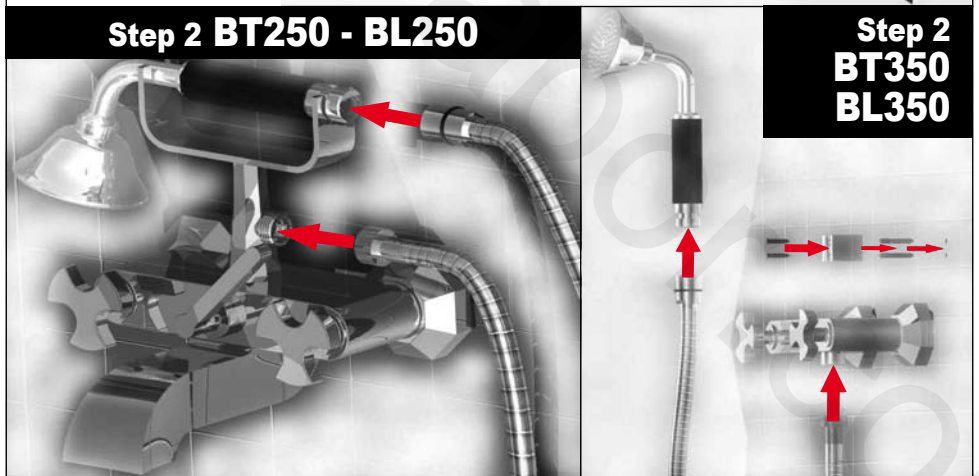
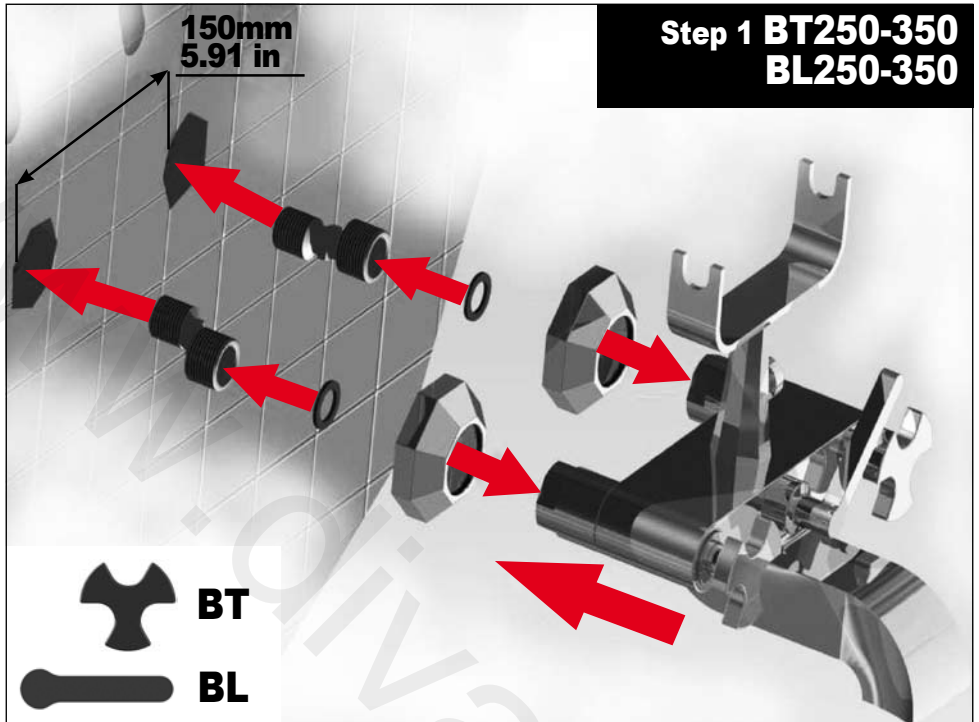
**BL250**



**BT350**



**BL350**



### IMPORTANT

#### Pressure & Temperature Requirements.

- \* Hot and cold water inlet pressures should be equal.
- \* Inlet pressure range: 150-1000 kPa
- \* New Regulation: -500 kPa maximum operating pressure at any outlet within a building. (Ref. AS/NZS 3500.1-2003, Clause 3.3.4)
- \* Maximum hot water temperature: 80°C.



[www.ibrubinetterie.it](http://www.ibrubinetterie.it)

**IB RUBINETTERIE s.p.a.**

via dei Pianotti 3/5  
25068 Sarezzo (BS)

phone +39 030 802101

fax +39 030 803097

[ibrubinetterie@ibrubinetterie.it](mailto:ibrubinetterie@ibrubinetterie.it)

[www.ibrubinetterie.it](http://www.ibrubinetterie.it)