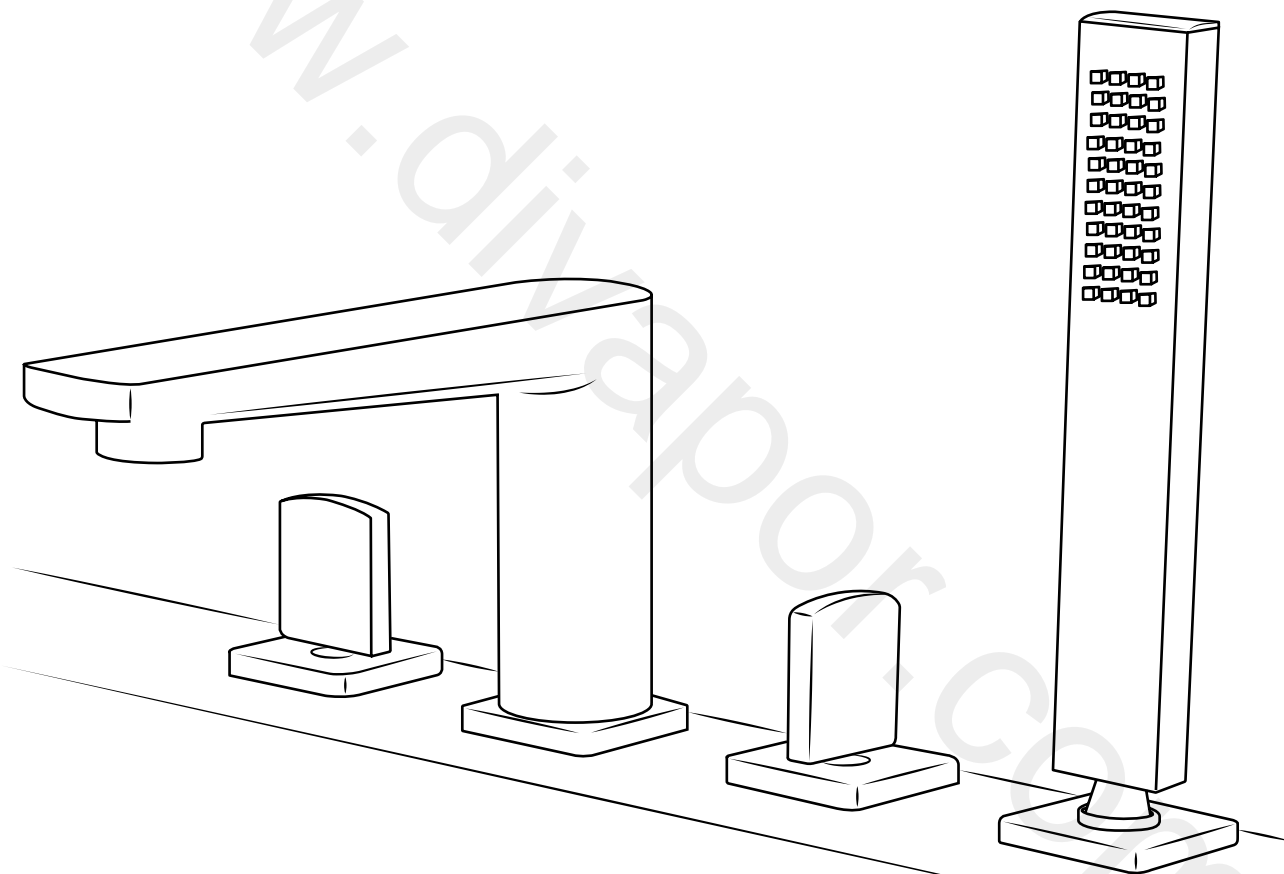


# Milano

Modern 4 Tap Hole Bath Shower Mixer

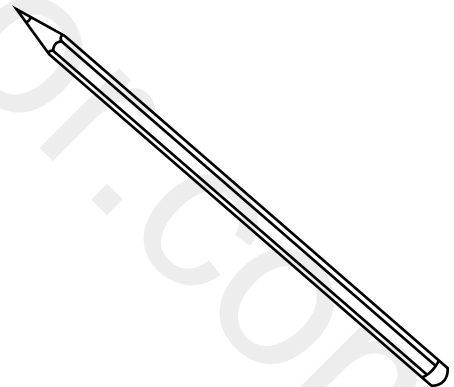
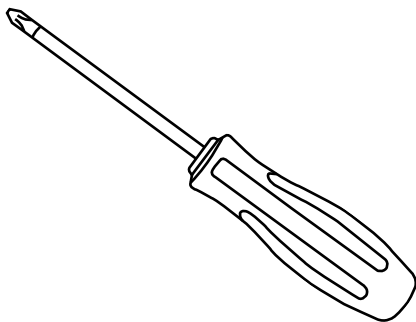
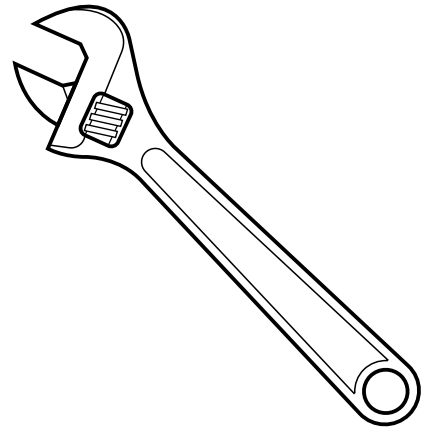
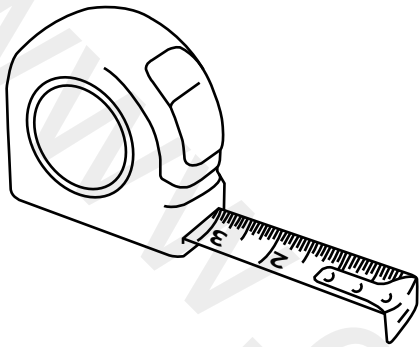


Installation Guide

# Installation

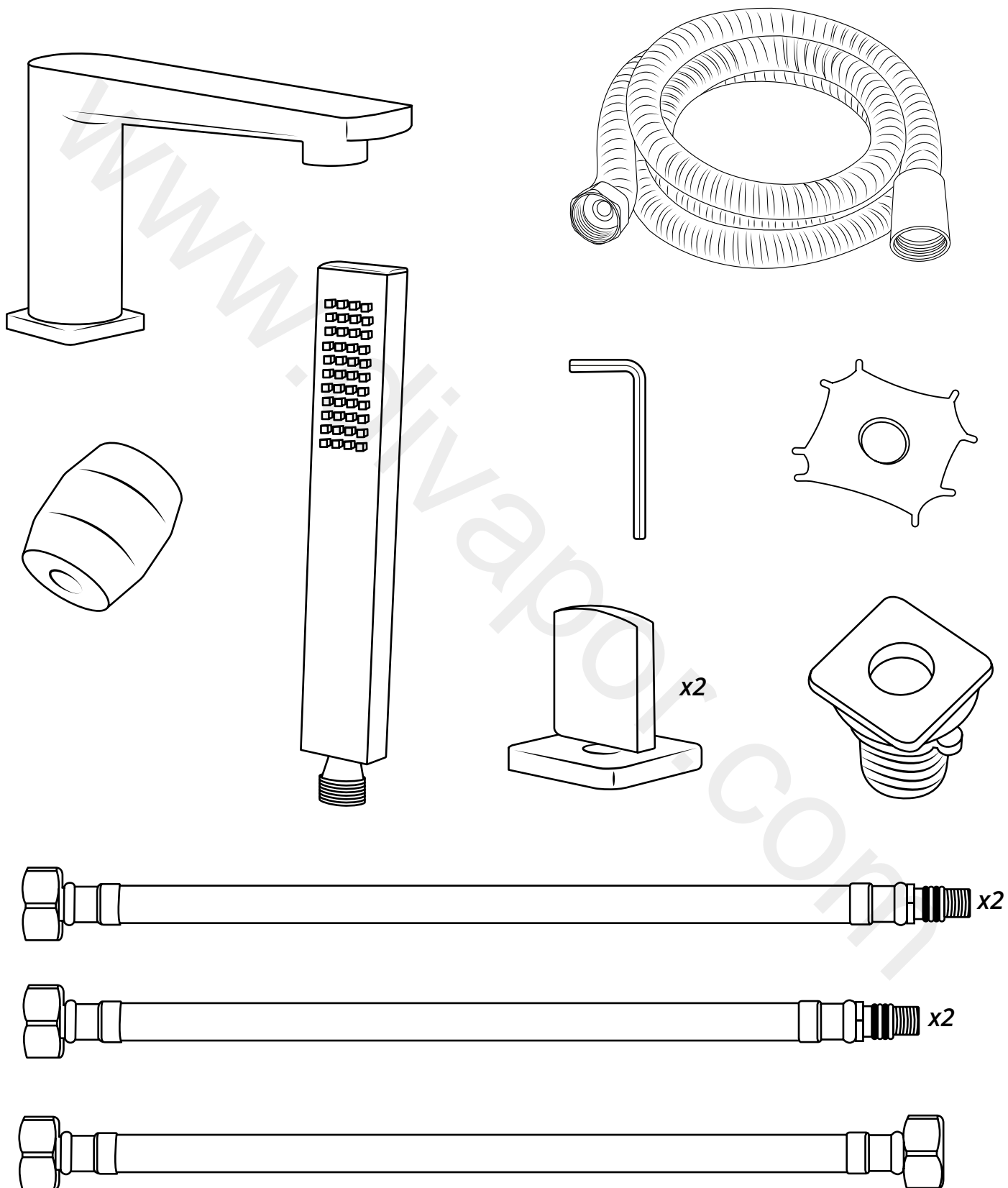
---

*Tools required for installing:*

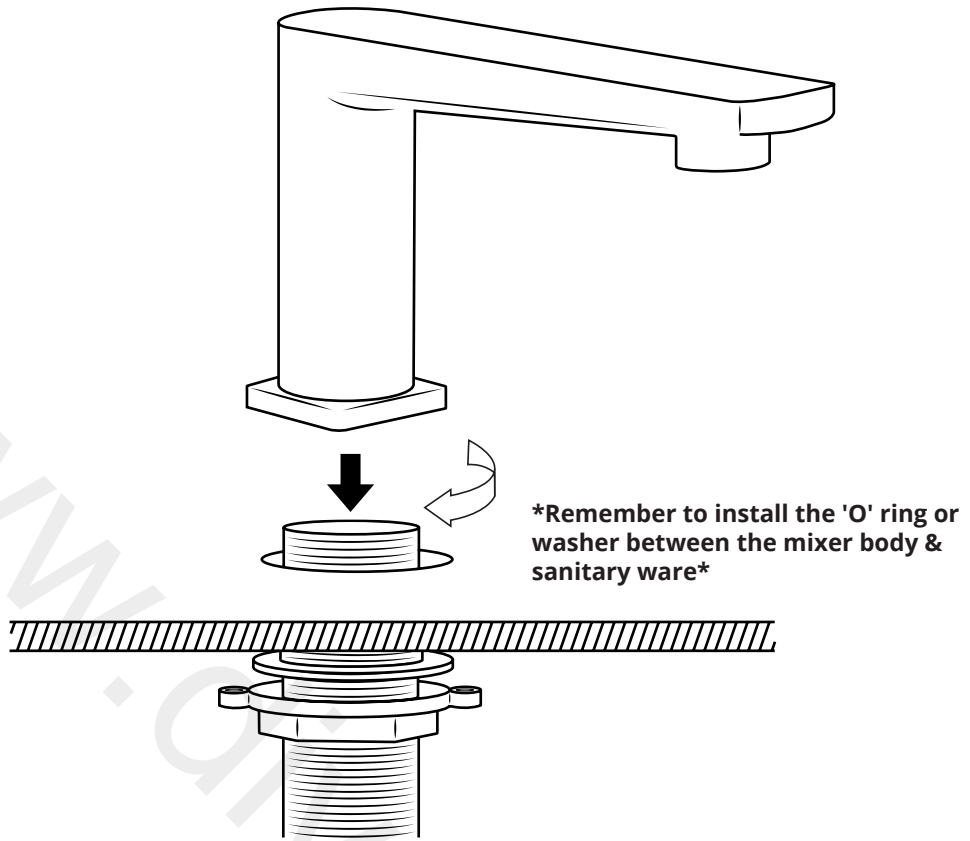


# Installation

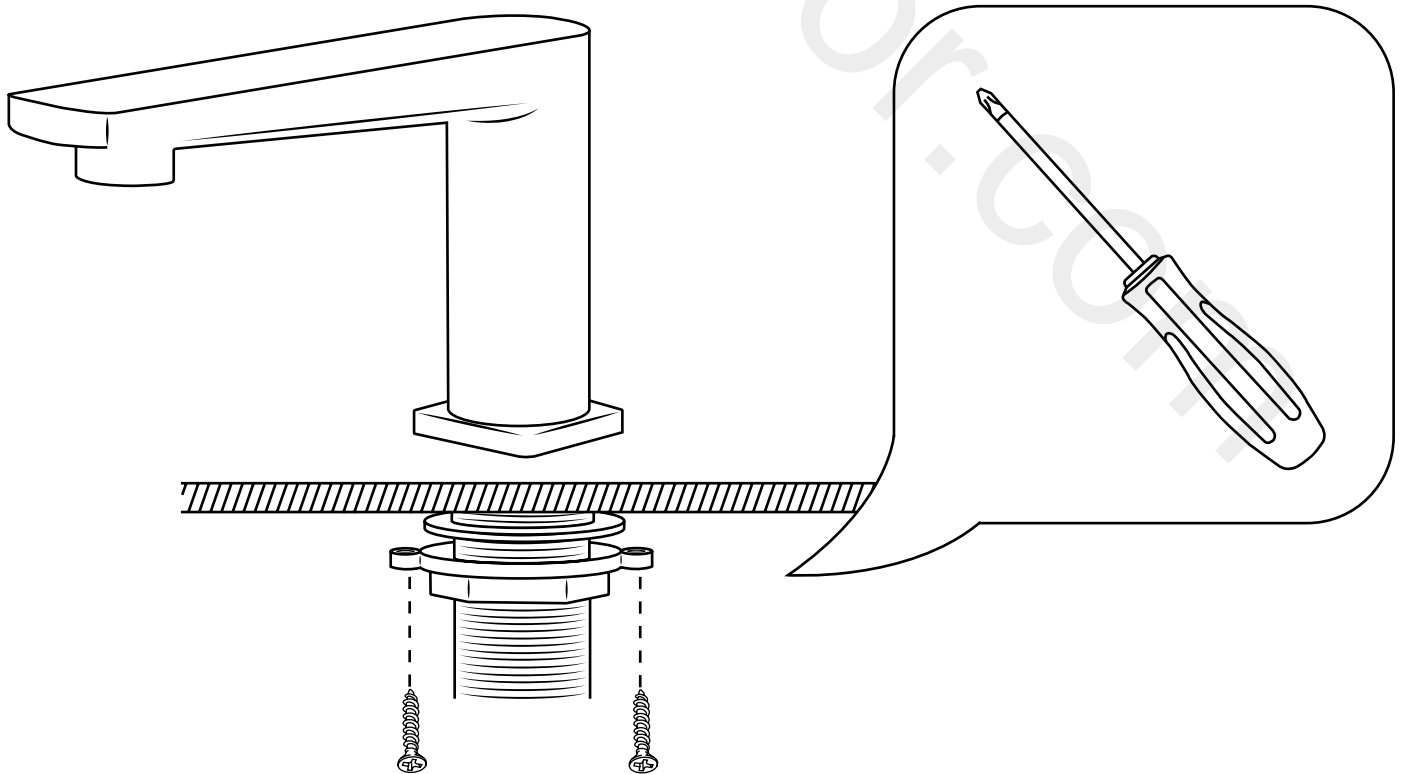
## Parts included:



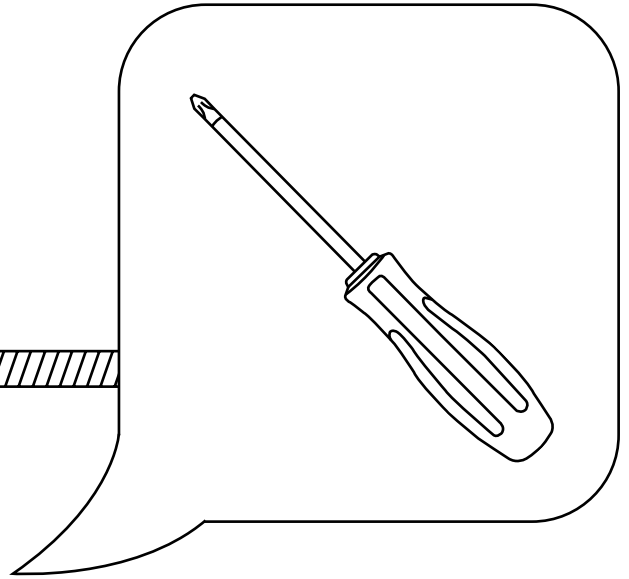
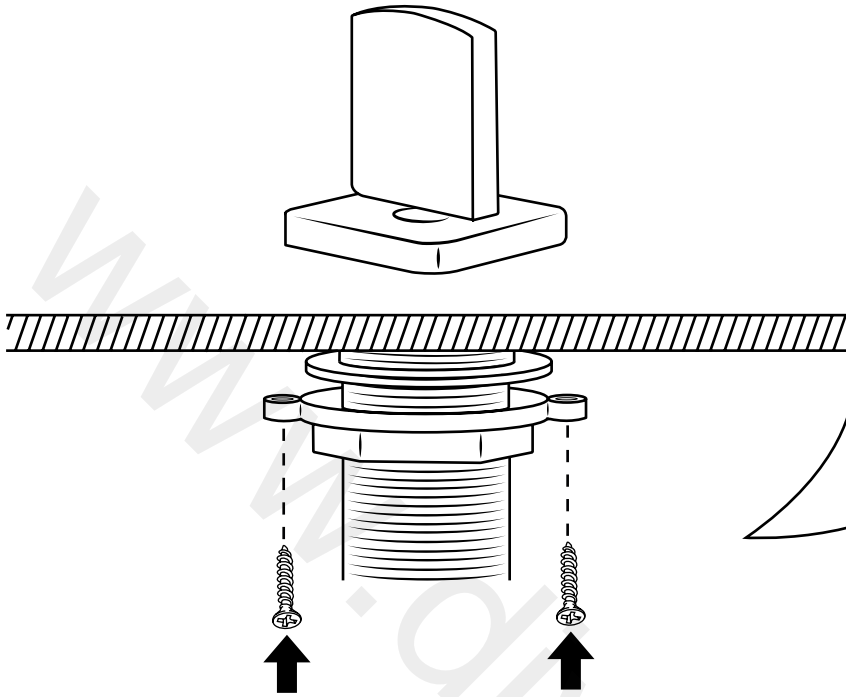
1



2

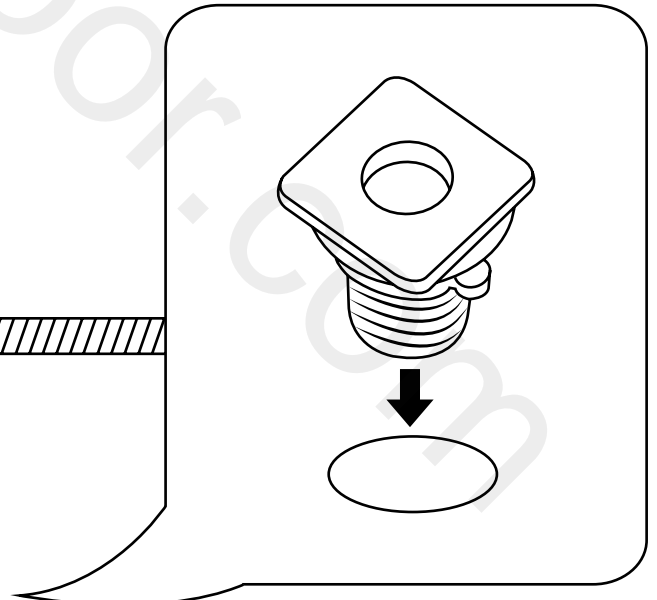
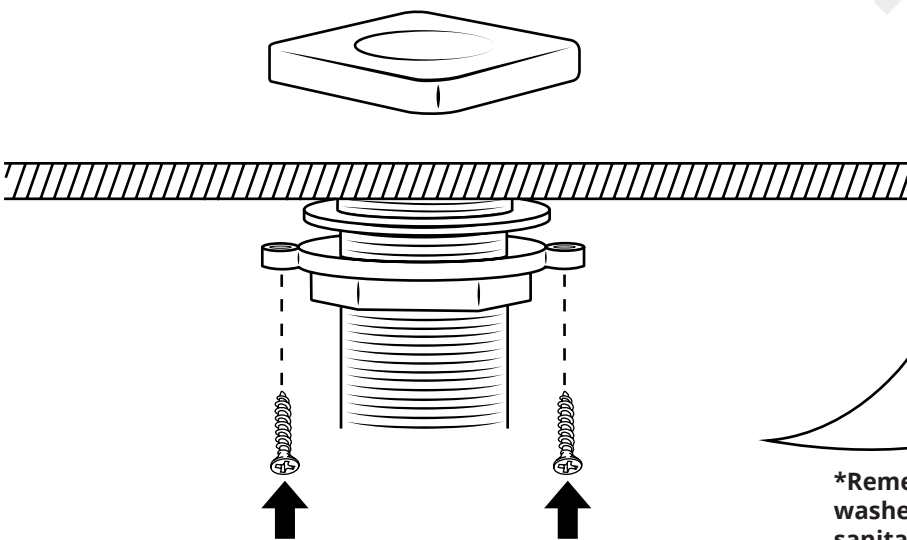


3



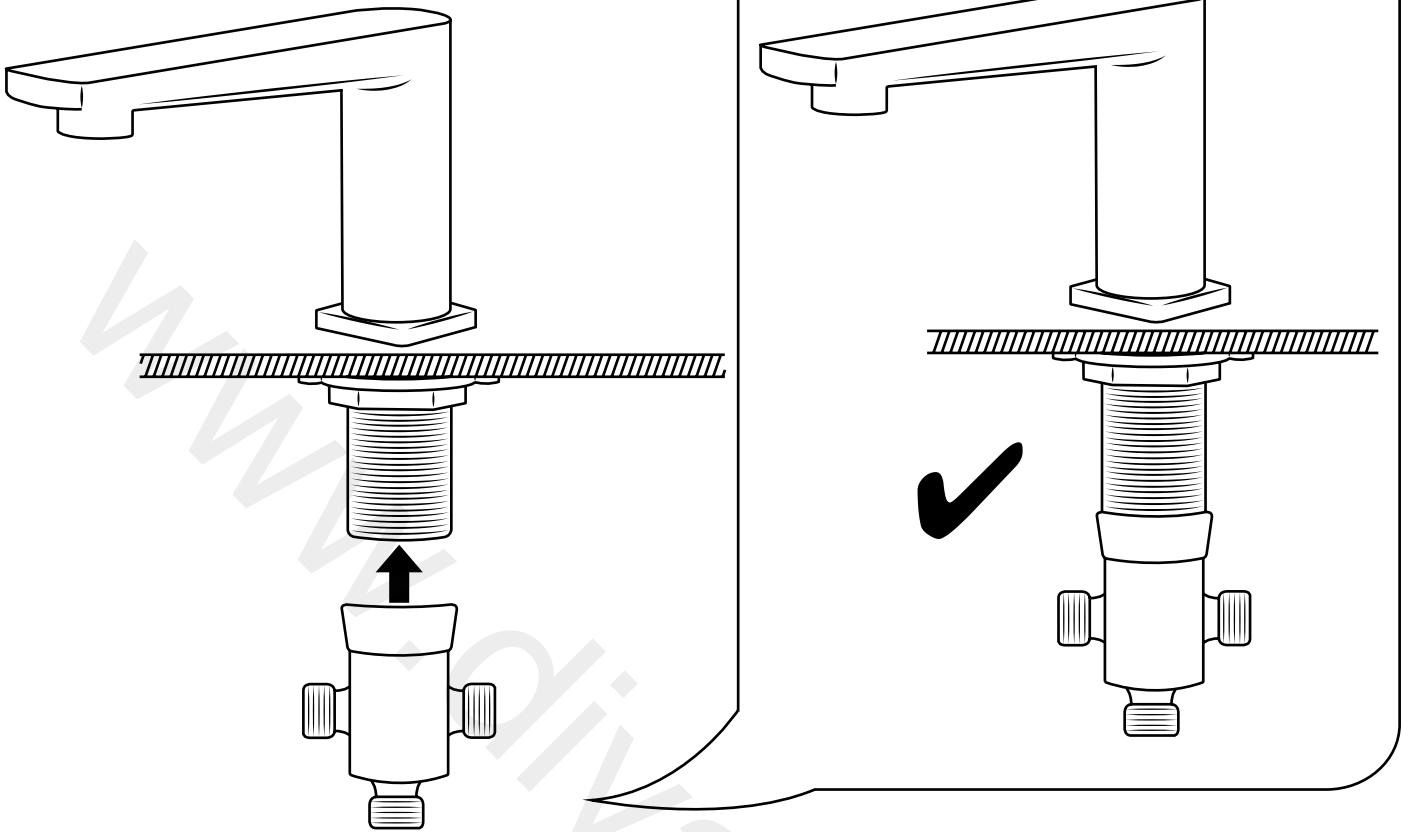
**\*Remember to install the 'O' ring or washer between the mixer body & sanitary ware\***

4

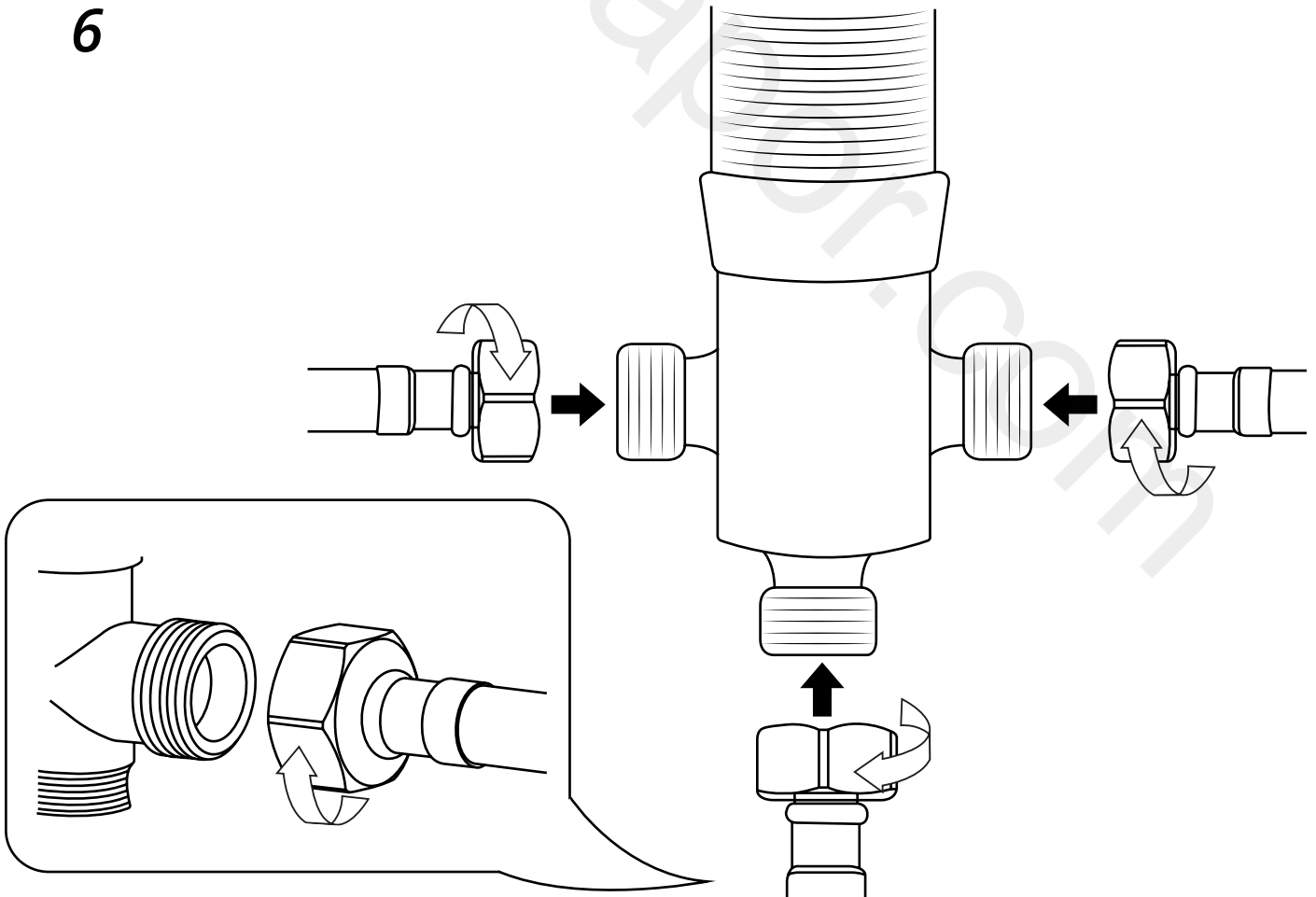


**\*Remember to install the 'O' ring or washer between the mixer body & sanitary ware\***

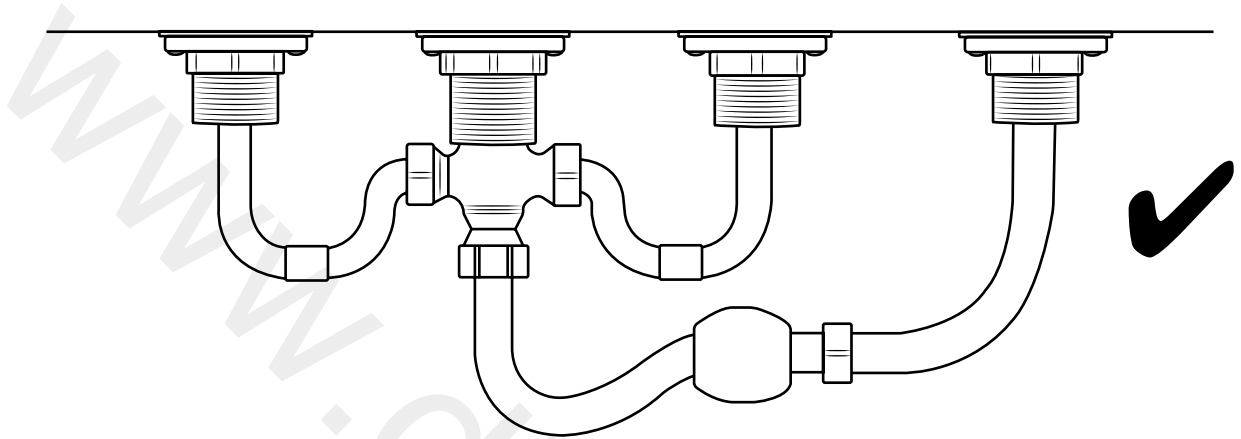
5



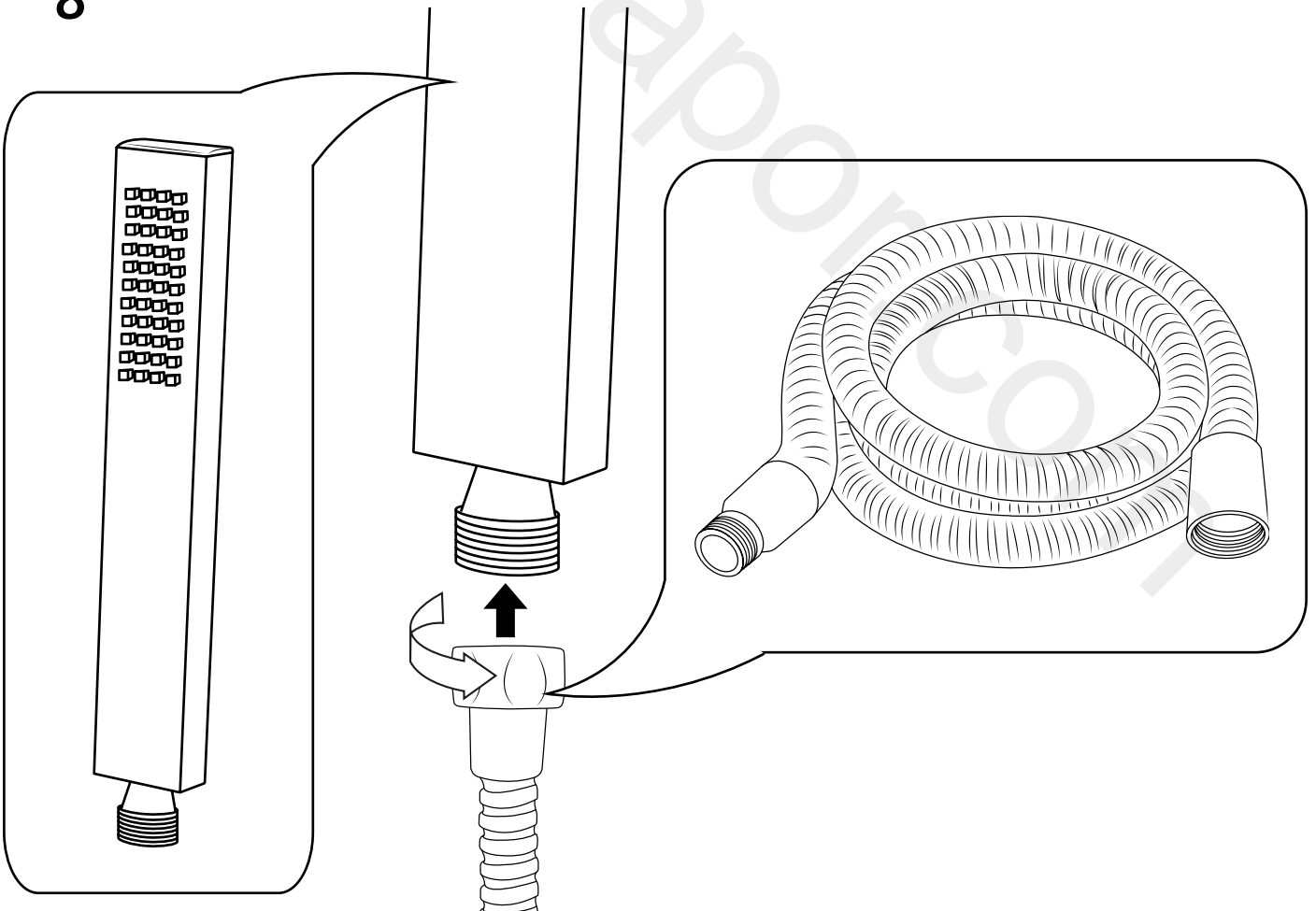
6



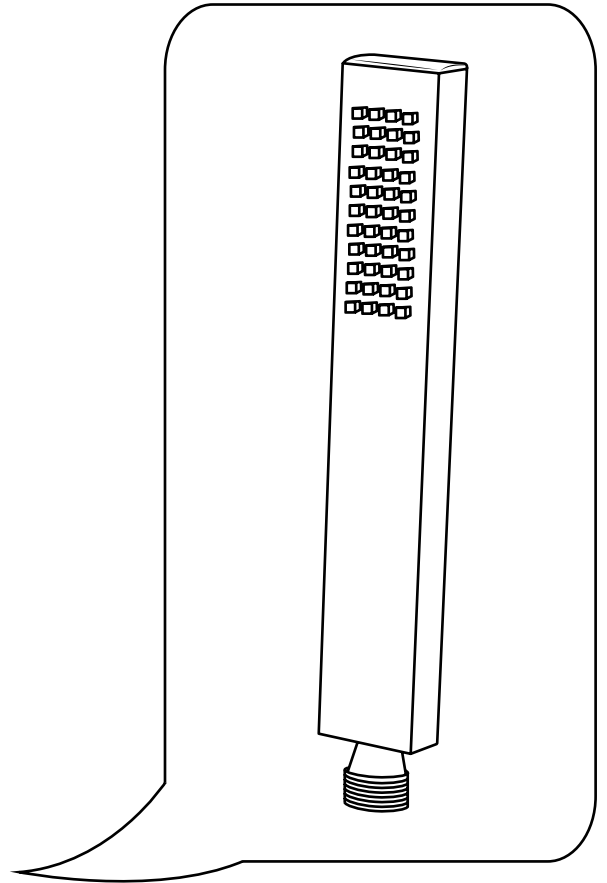
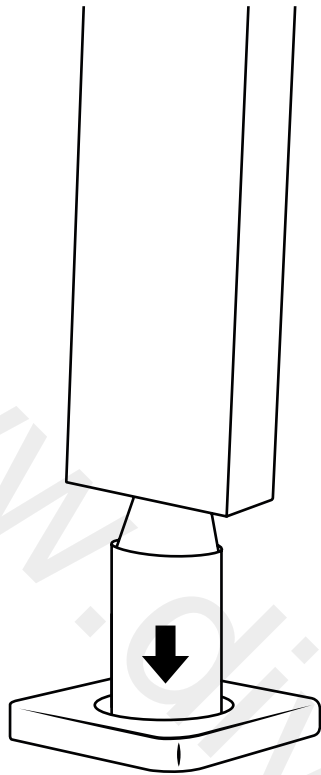
7



8



9



10

