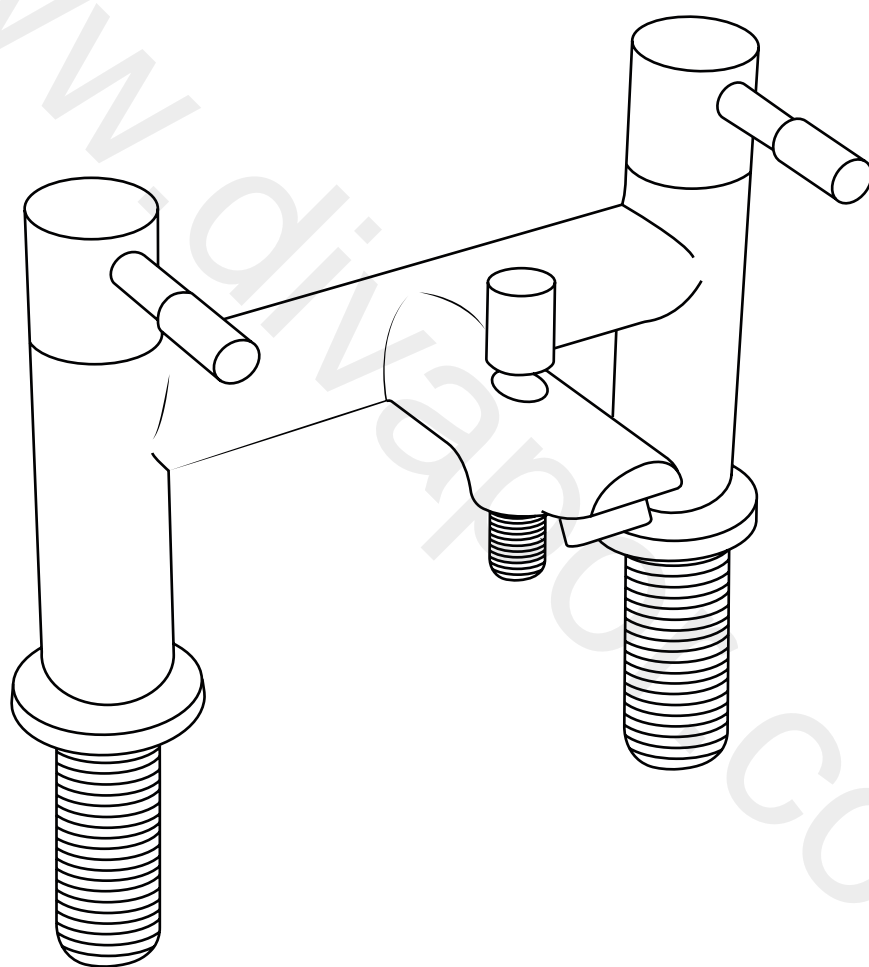


# Milano

Bath Shower Mixer



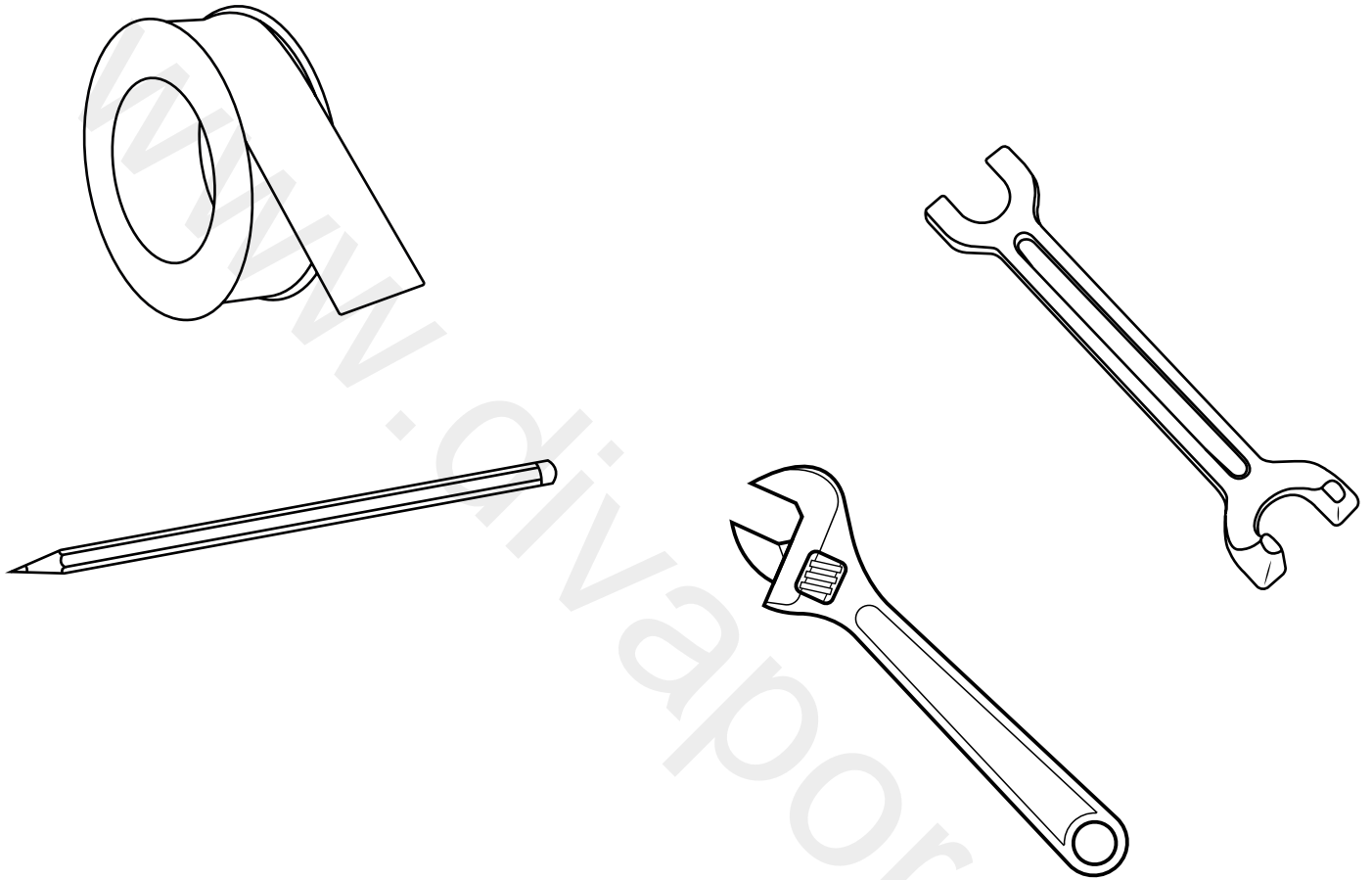
Installation Guide

Style may vary

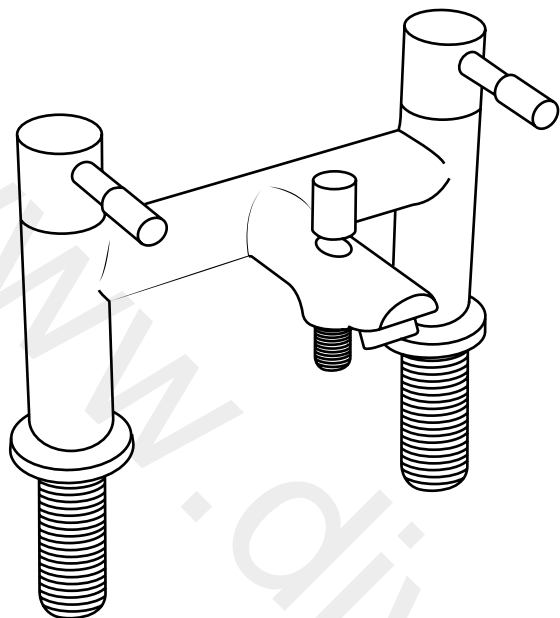
# Installation

---

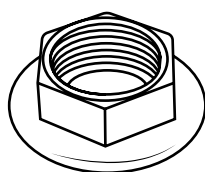
*Tools required for installing:*



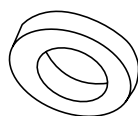
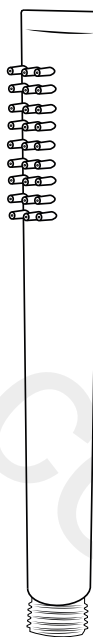
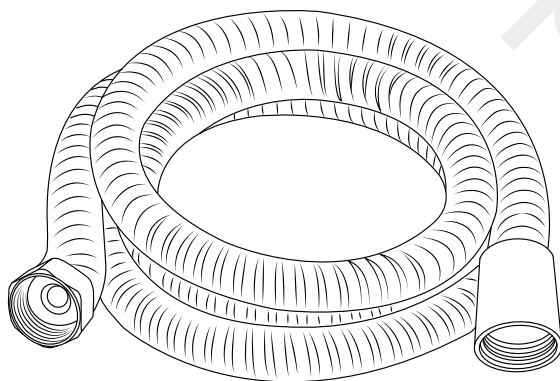
**Parts included:**



x2

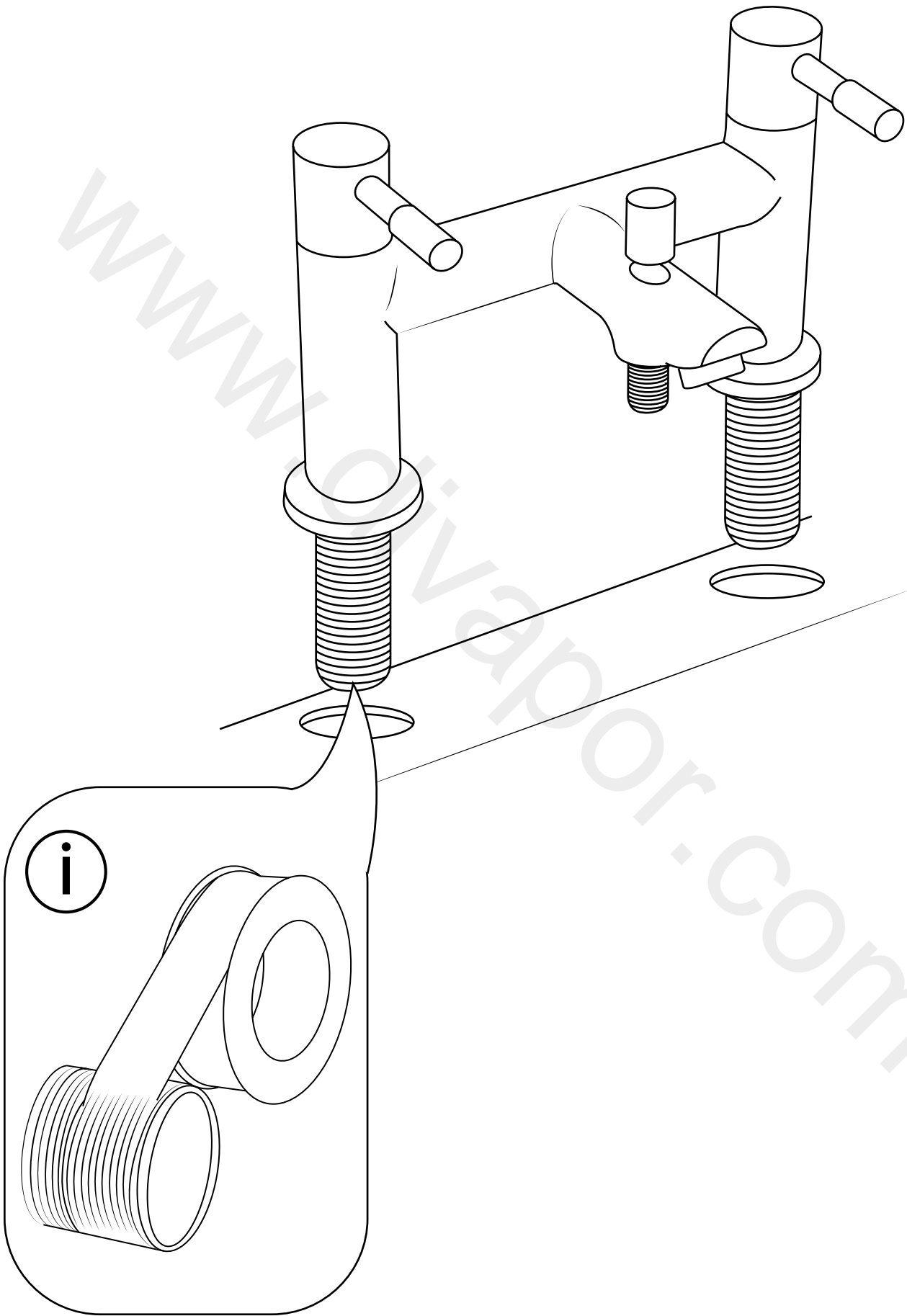


x2

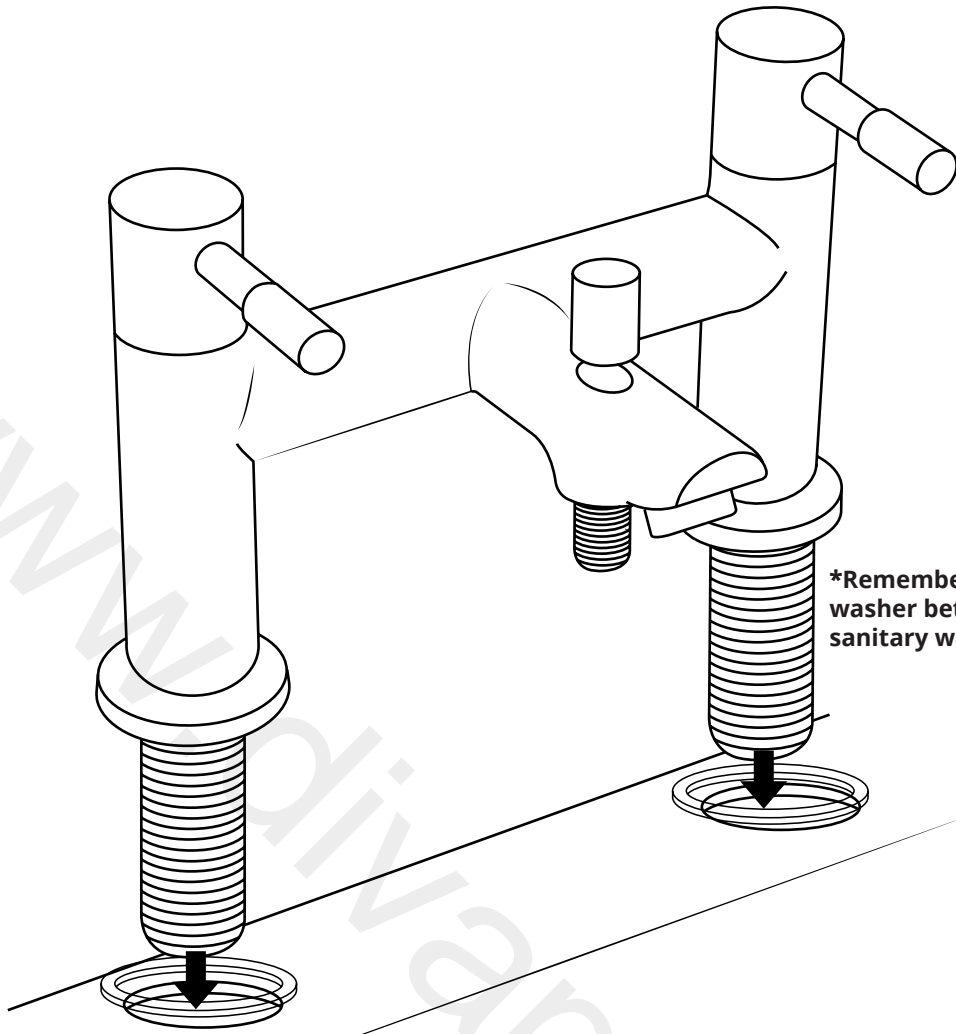


x2

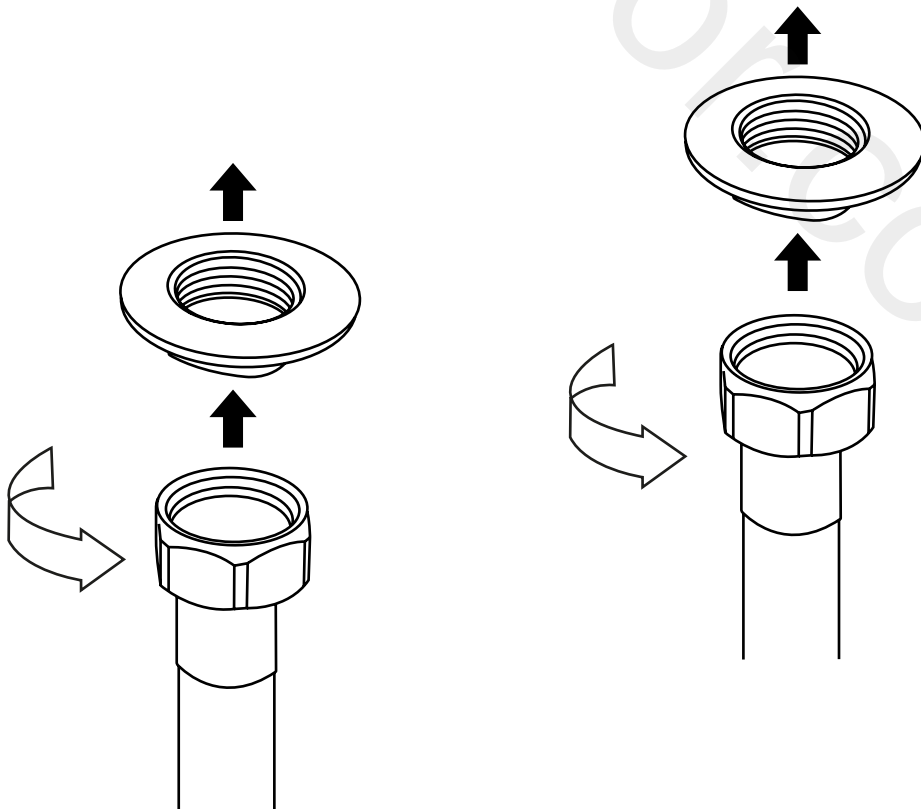
1



2



\*Remember to install the 'O' ring o washer between the mixer body & sanitary ware\*



3

