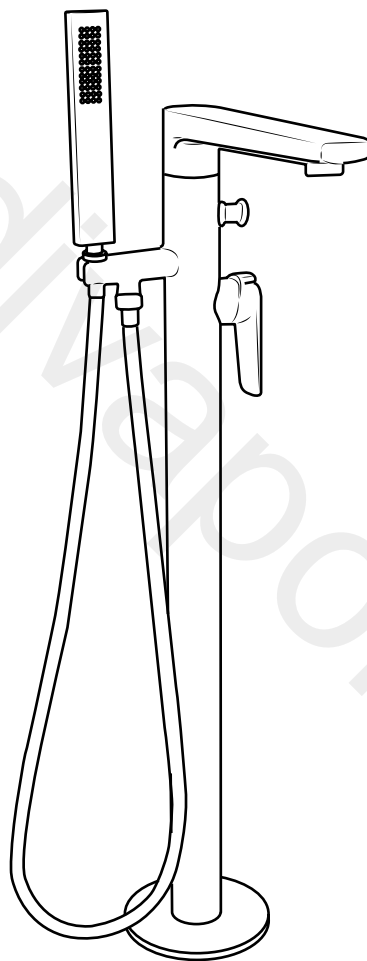


Milano

Freestanding Bath Shower Mixer

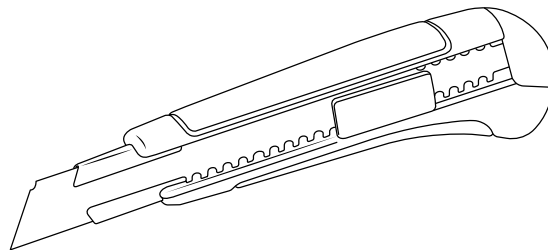
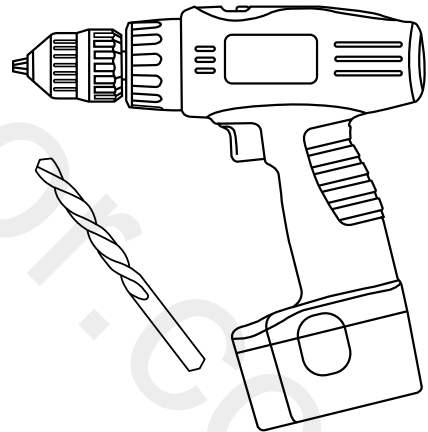
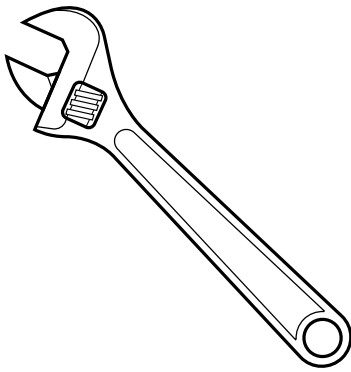
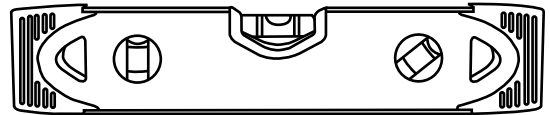
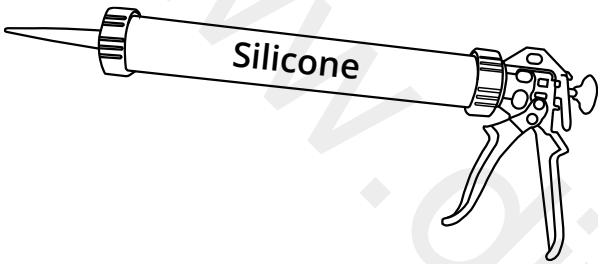
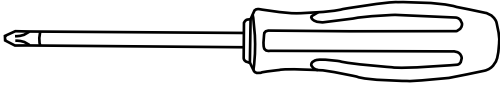


 Style may vary

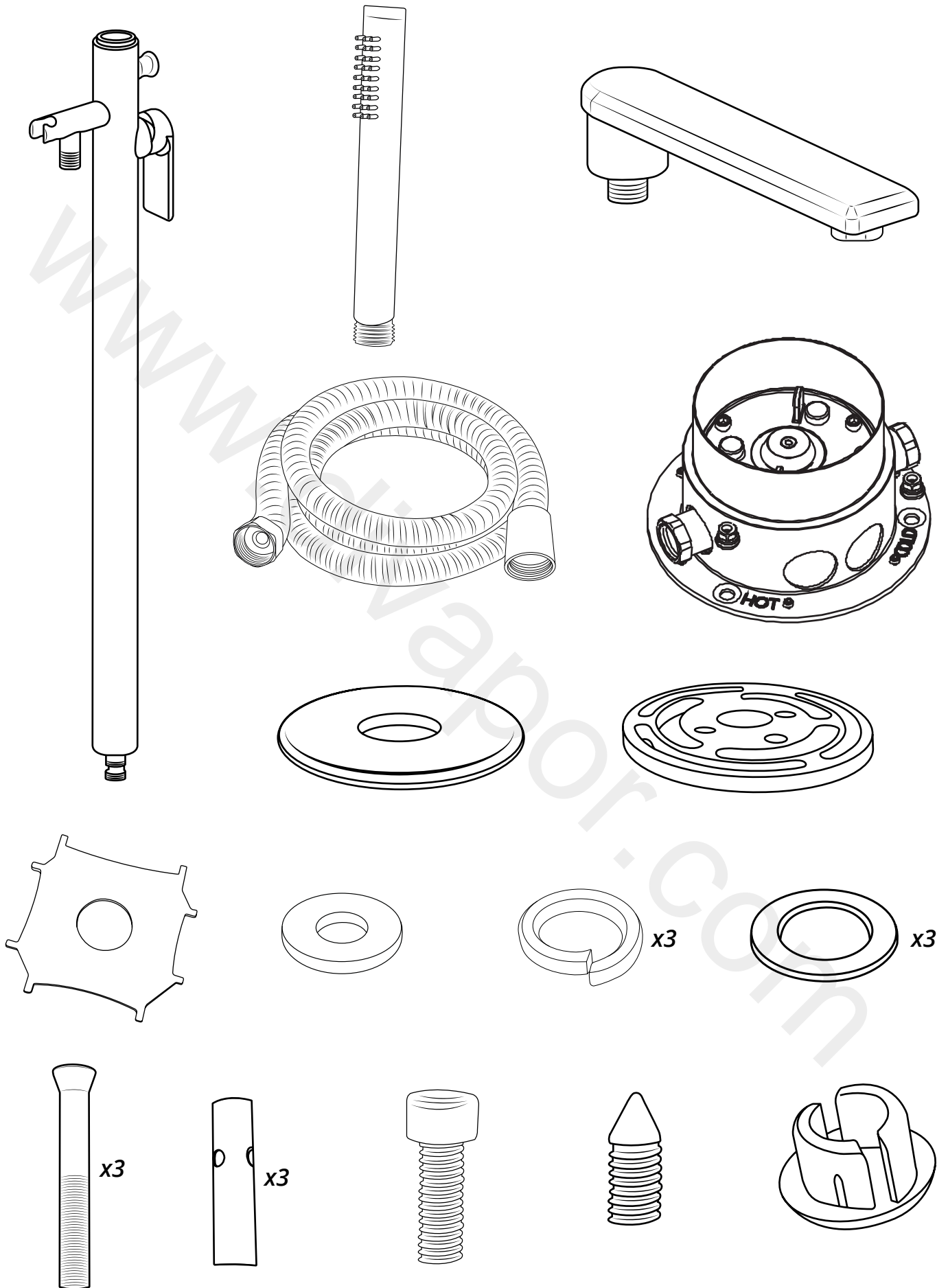
Installation Guide

Installation

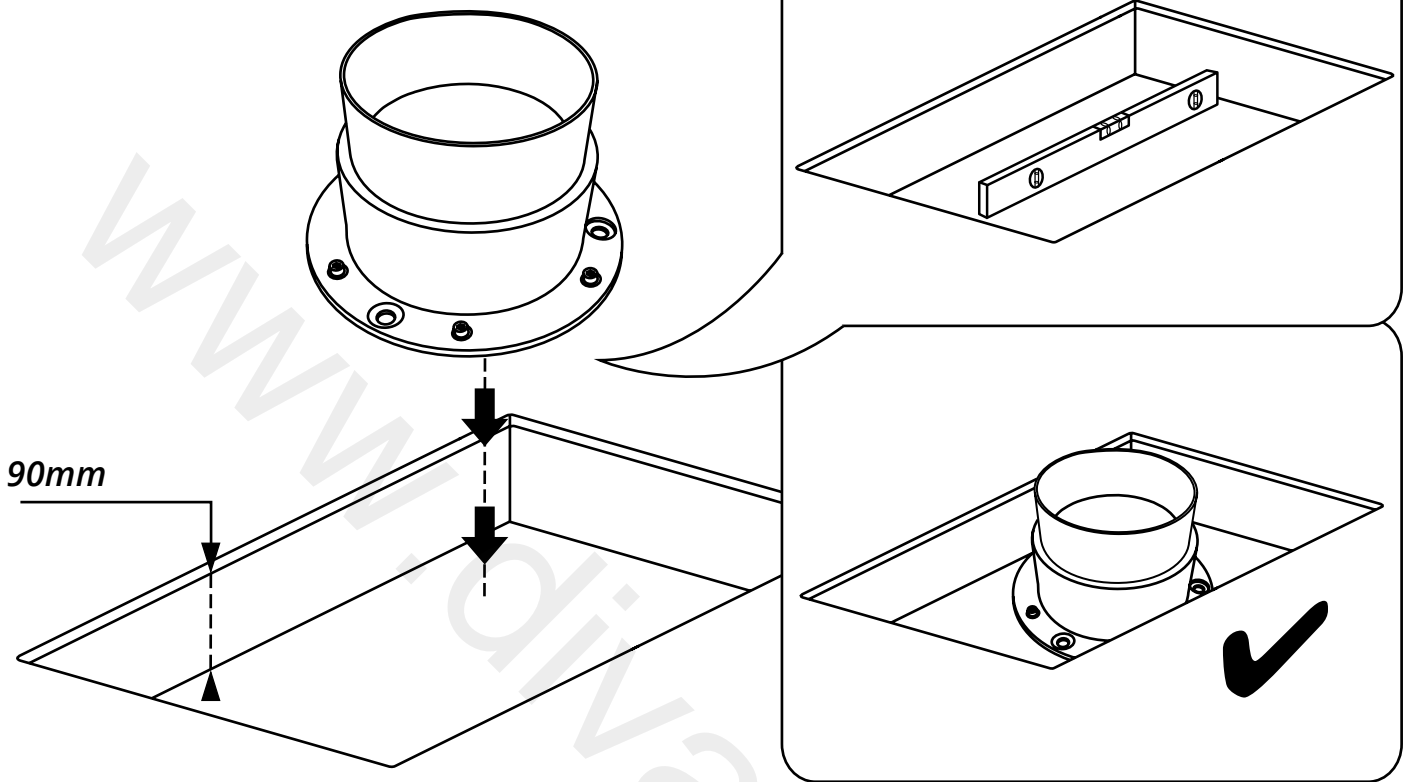
Tools required for installing:



Parts included:

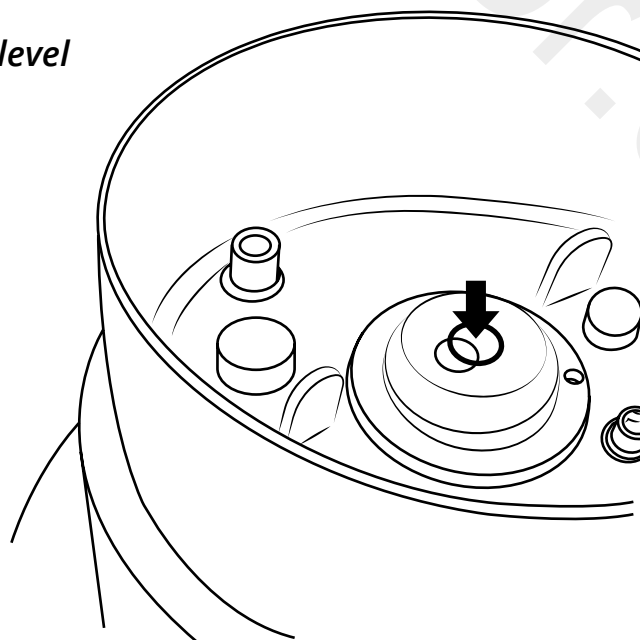


1

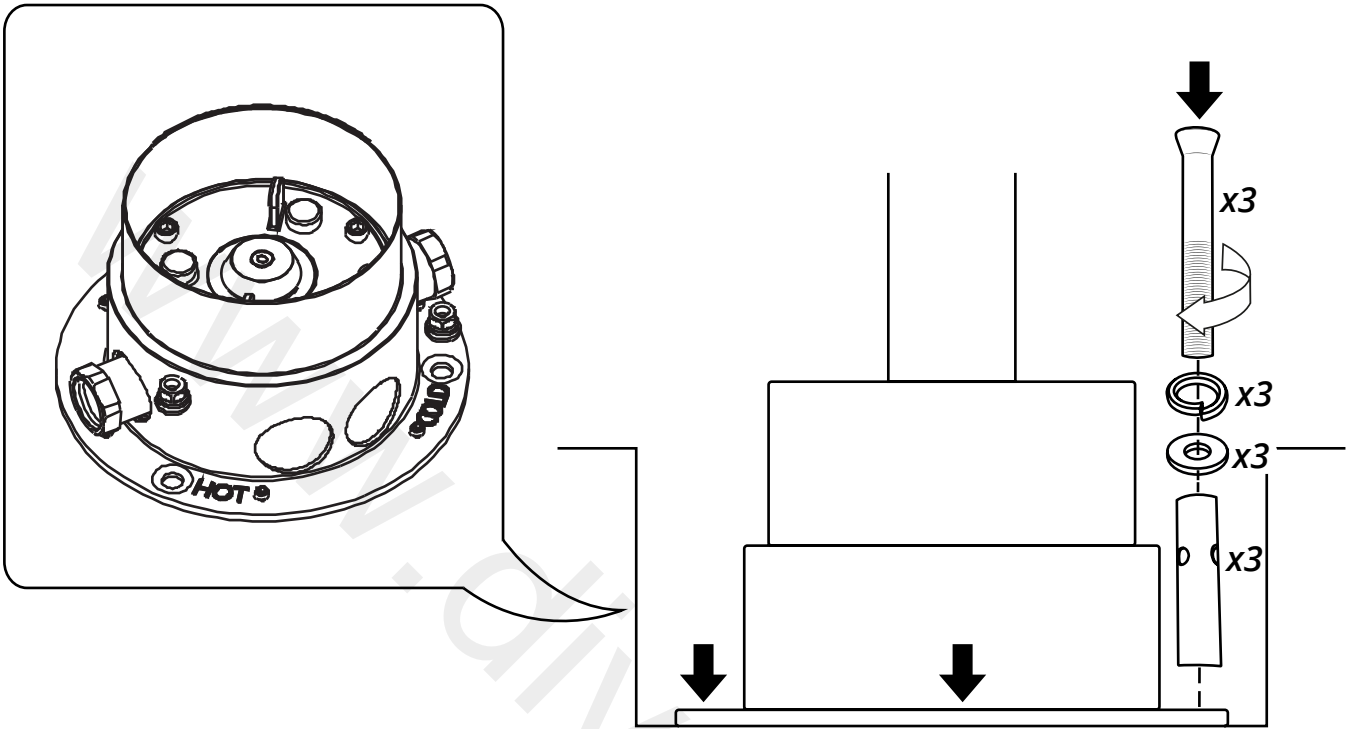


2

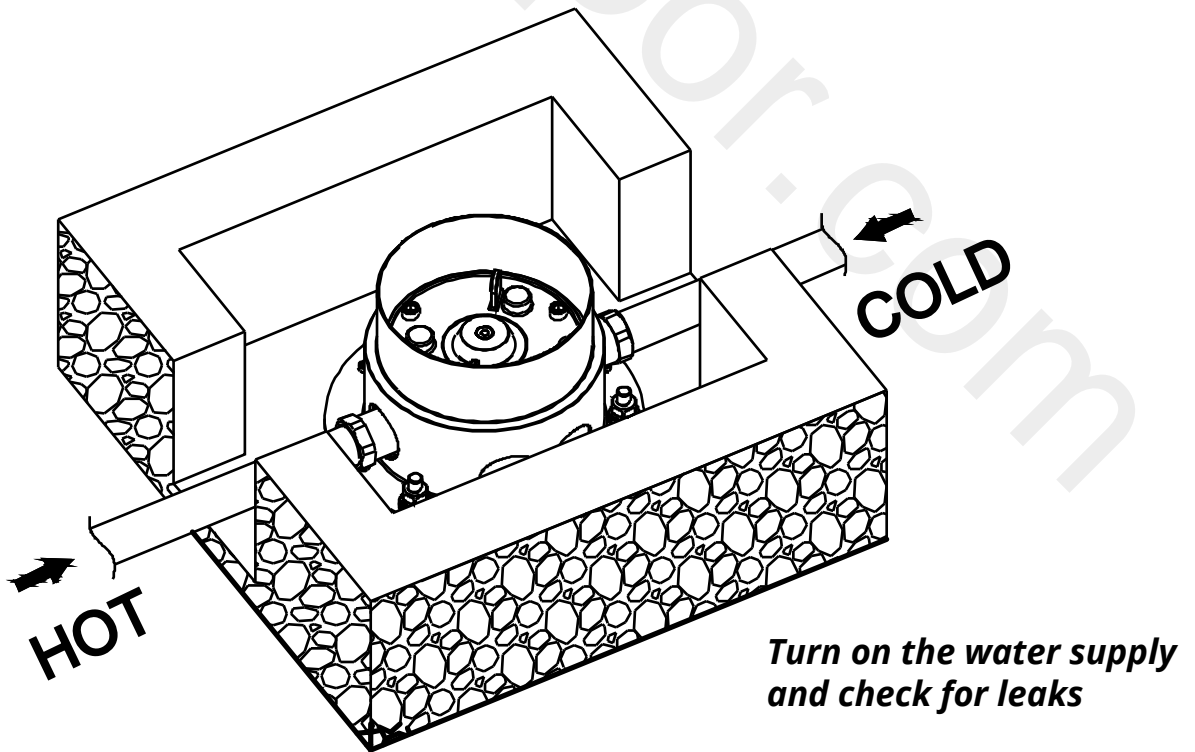
Check spirit level



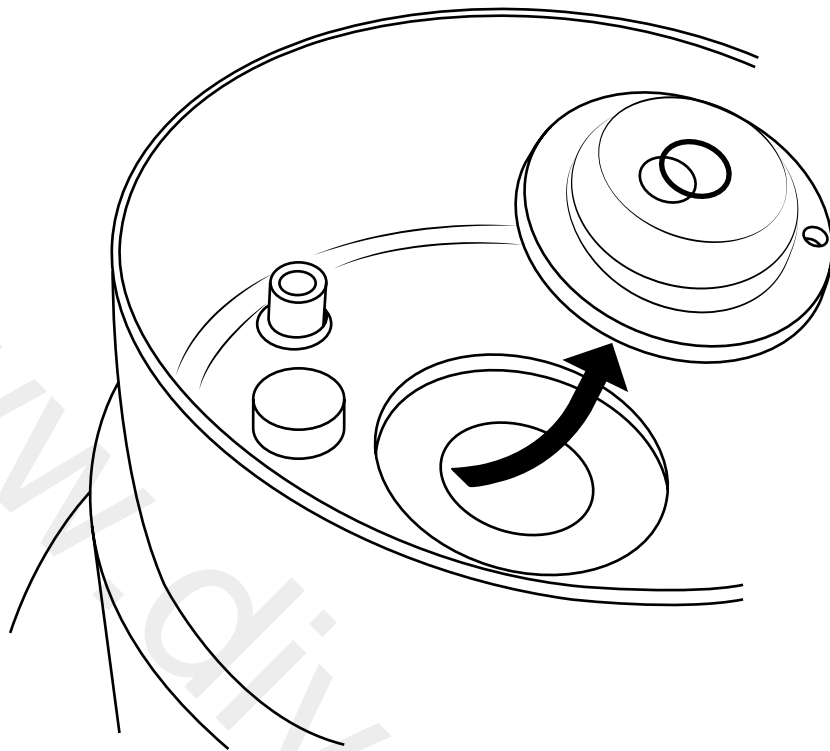
3



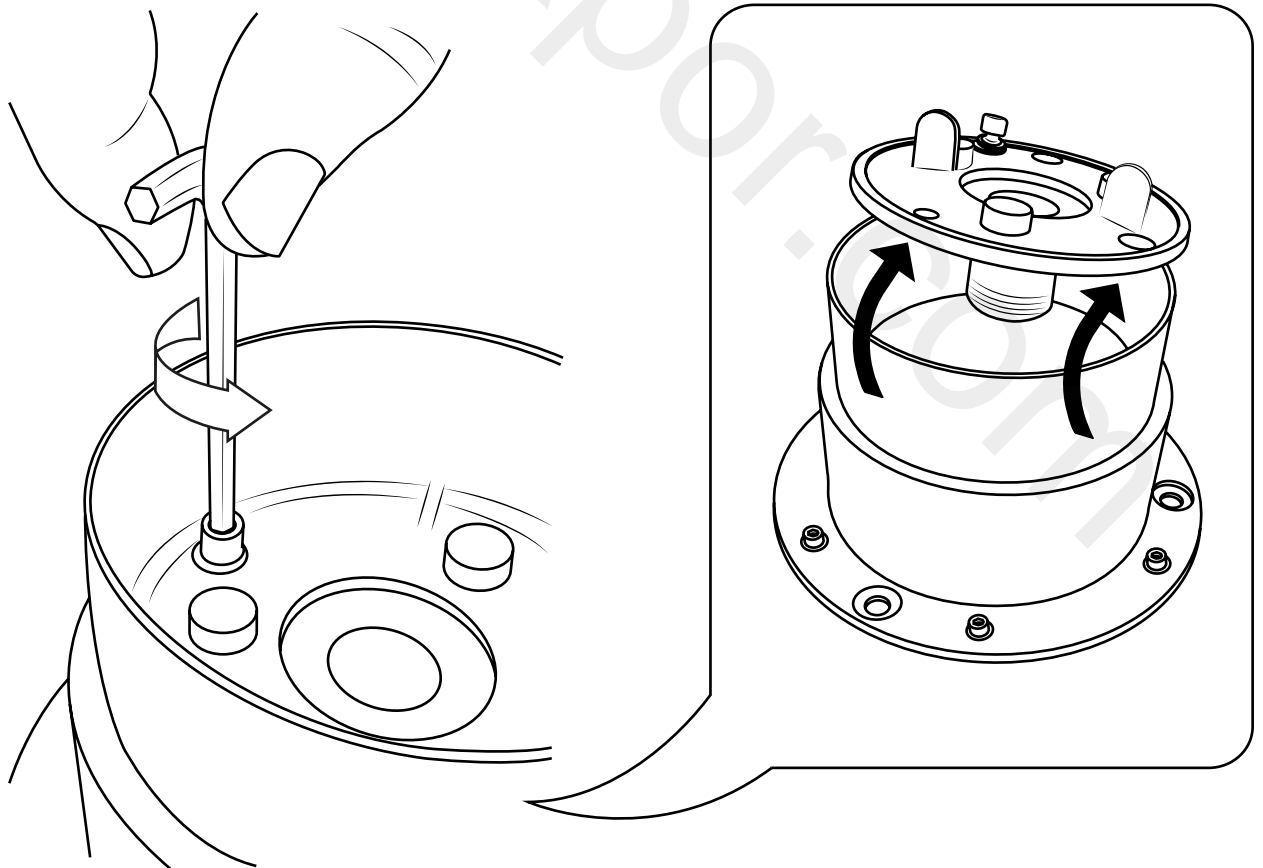
4



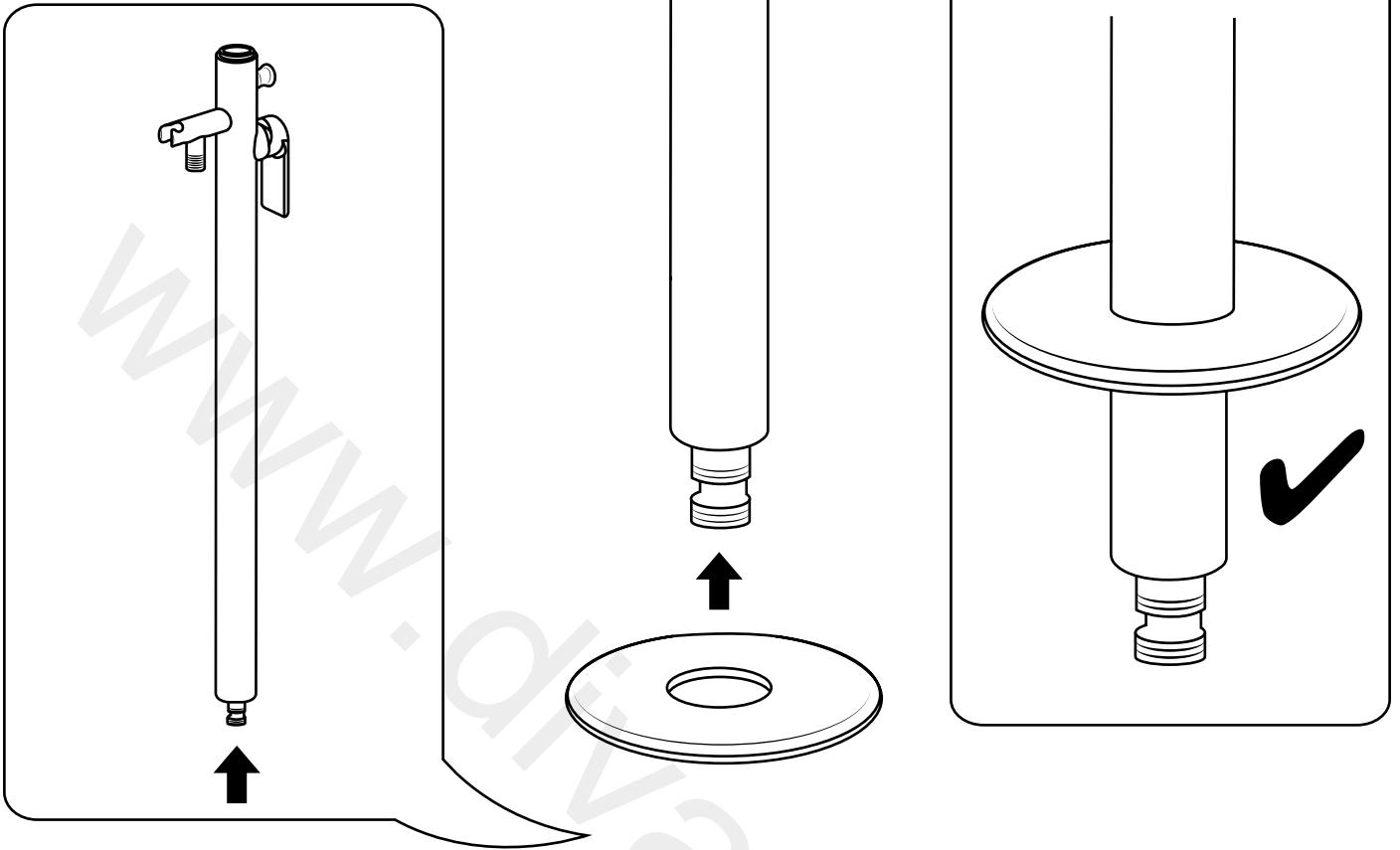
5 *Make sure the water supply is turned off and relieve the water pressure*



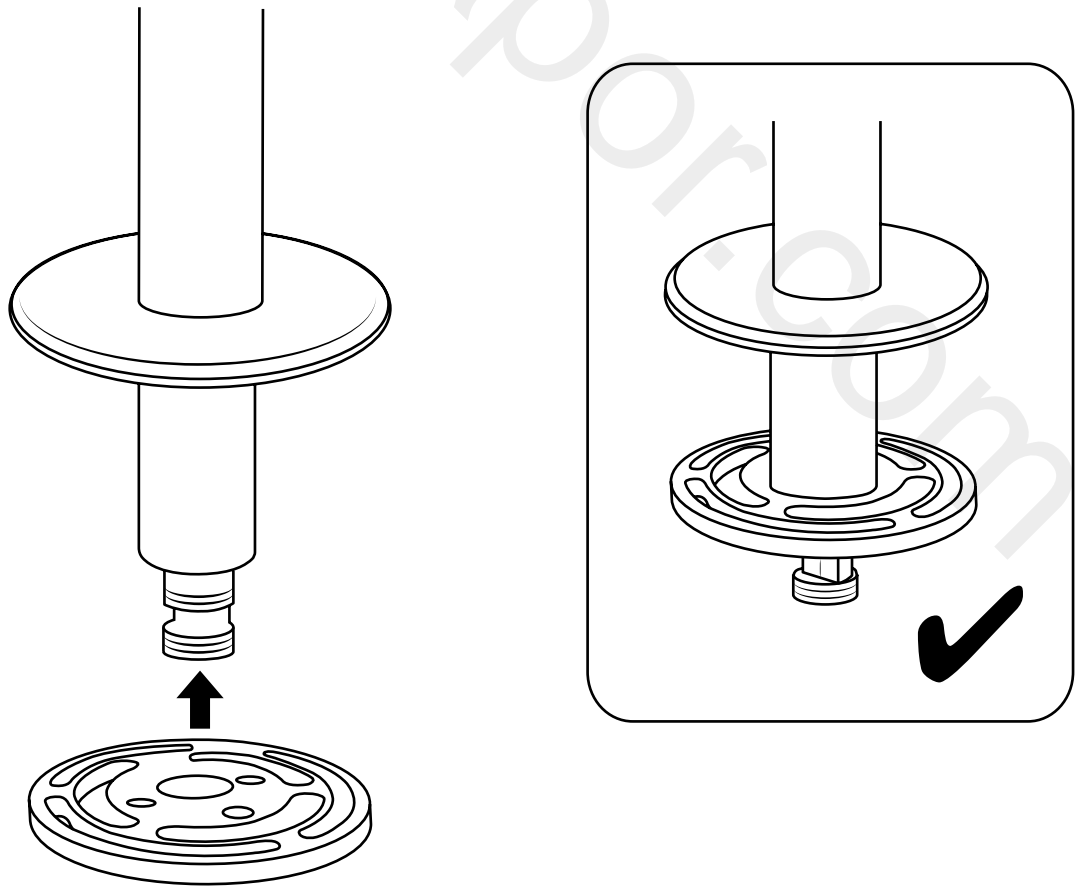
6



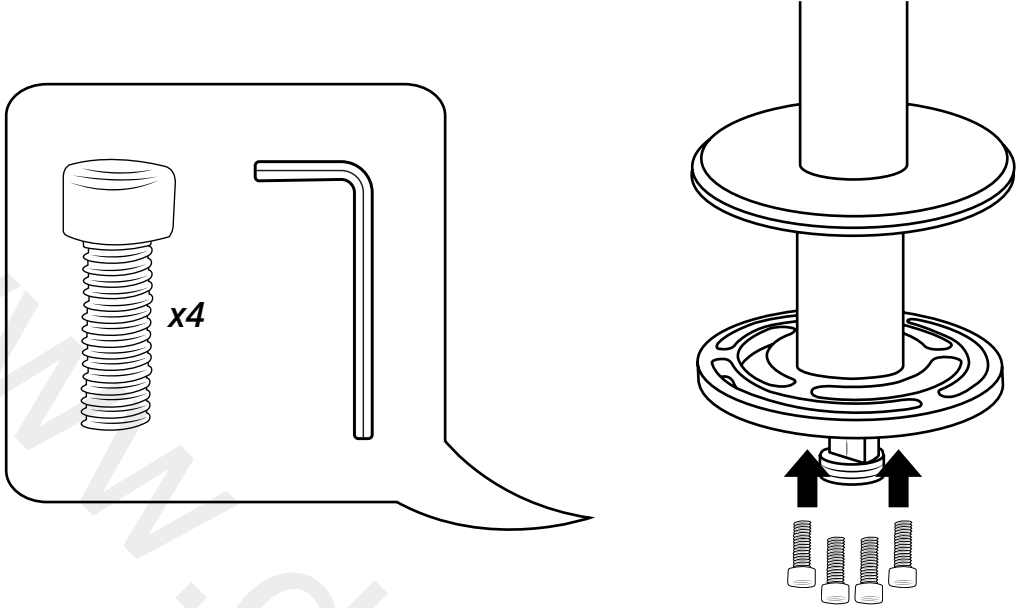
7



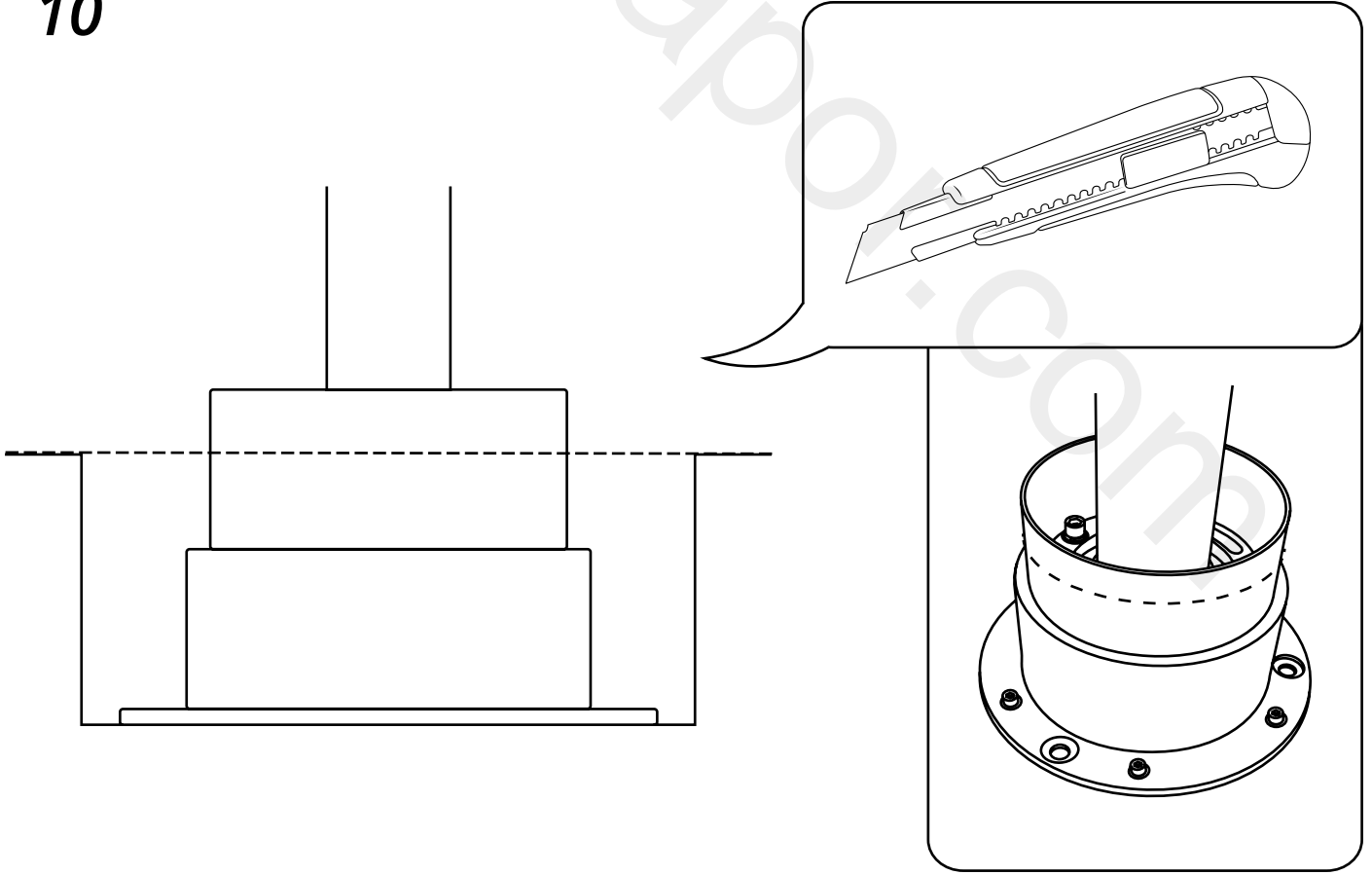
8



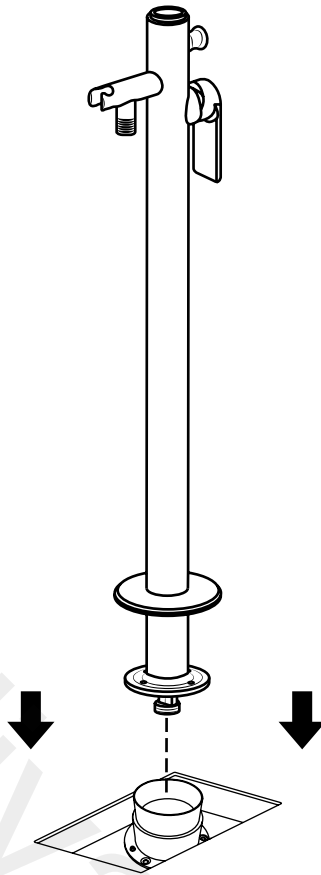
9



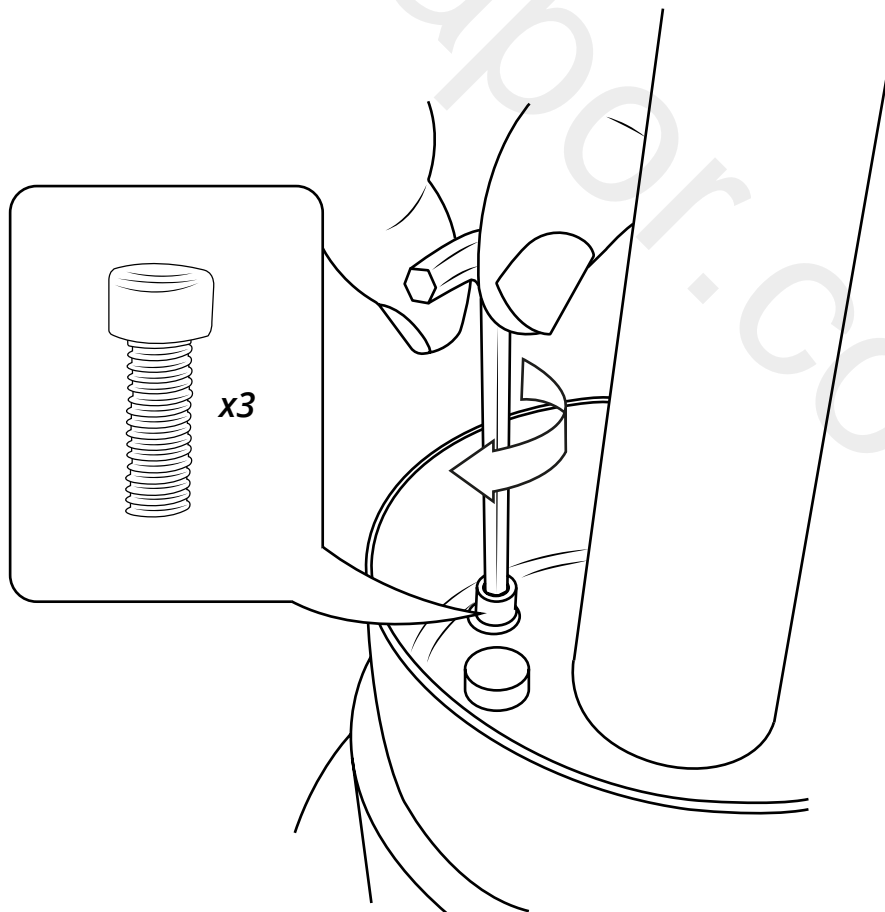
10



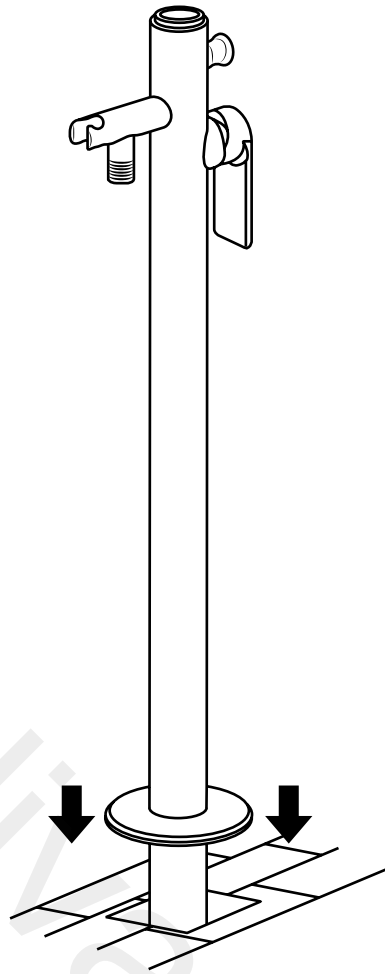
11



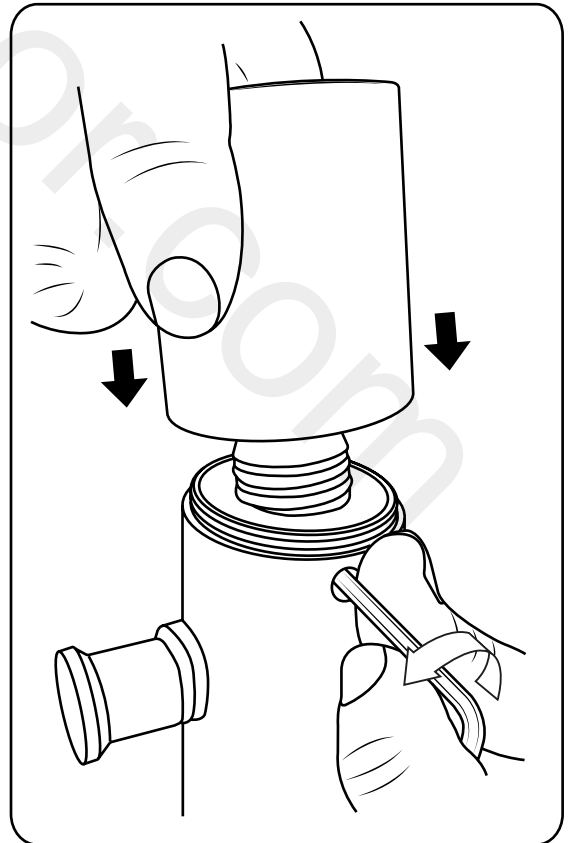
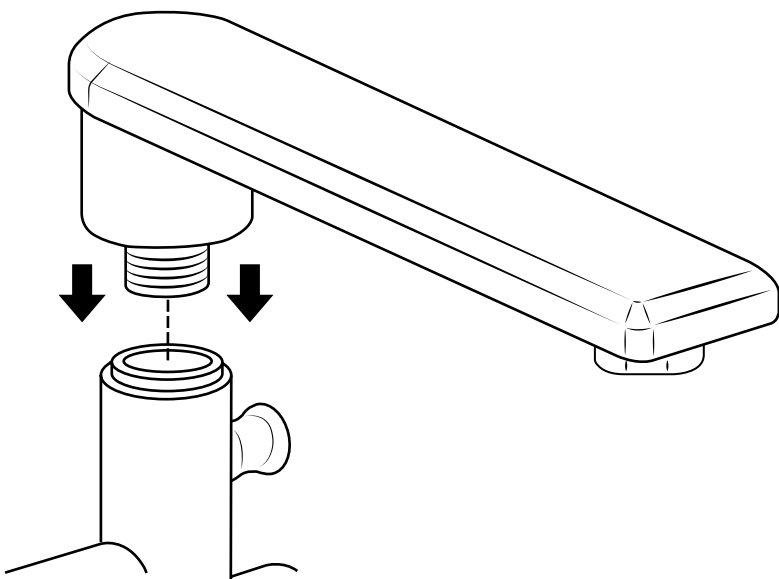
12



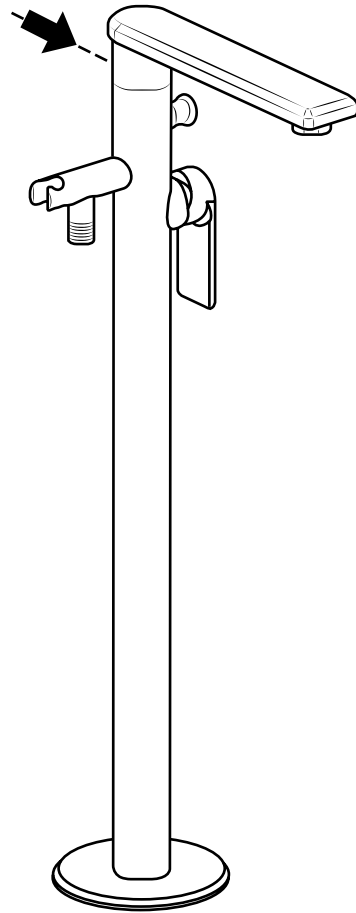
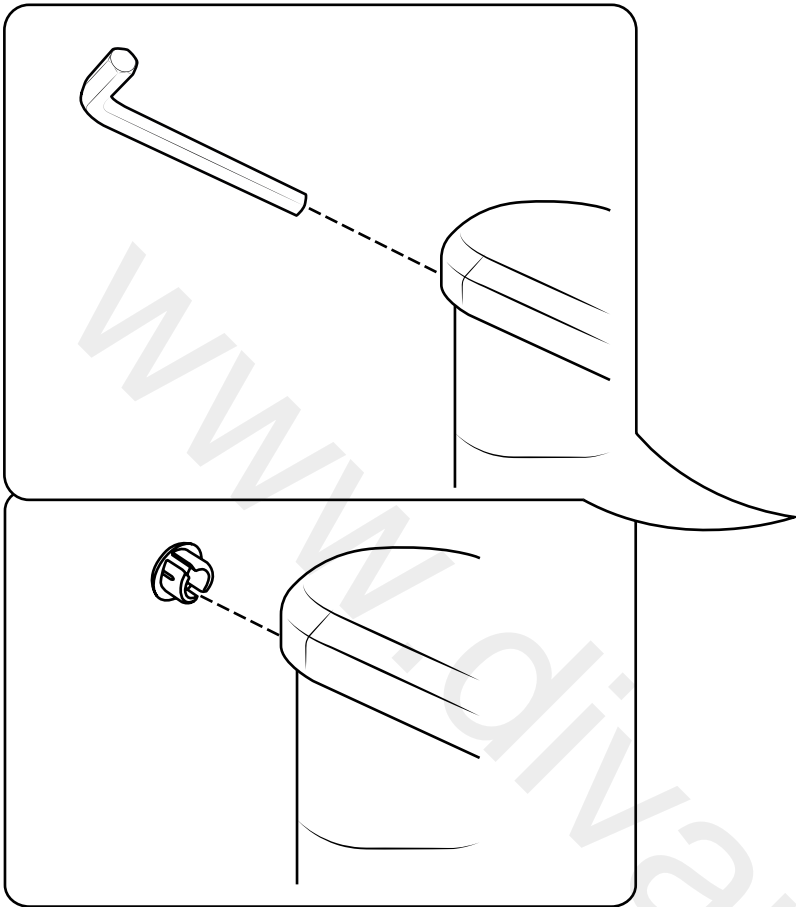
13



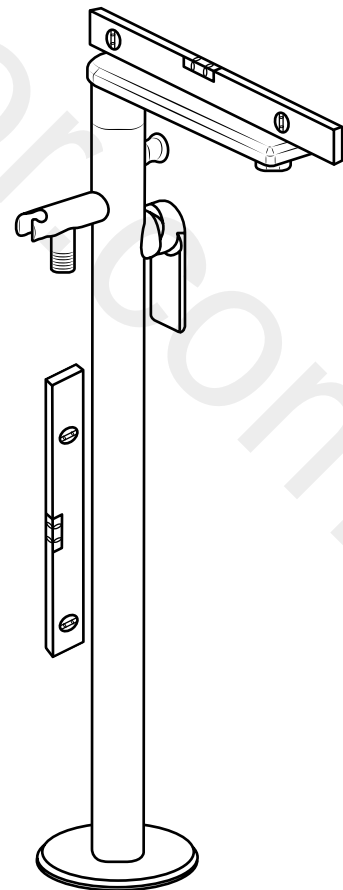
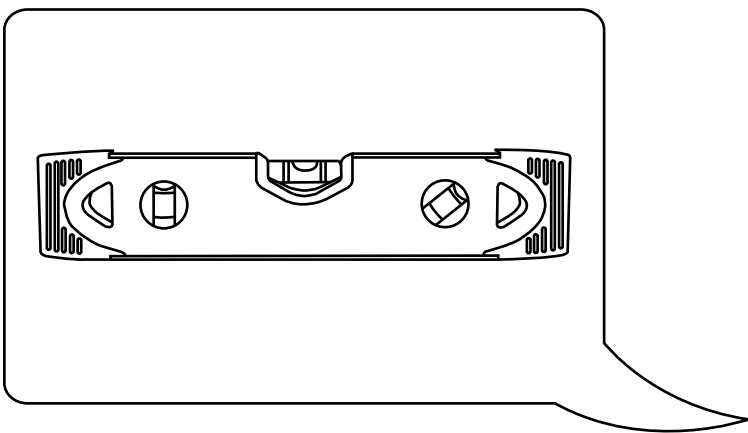
14



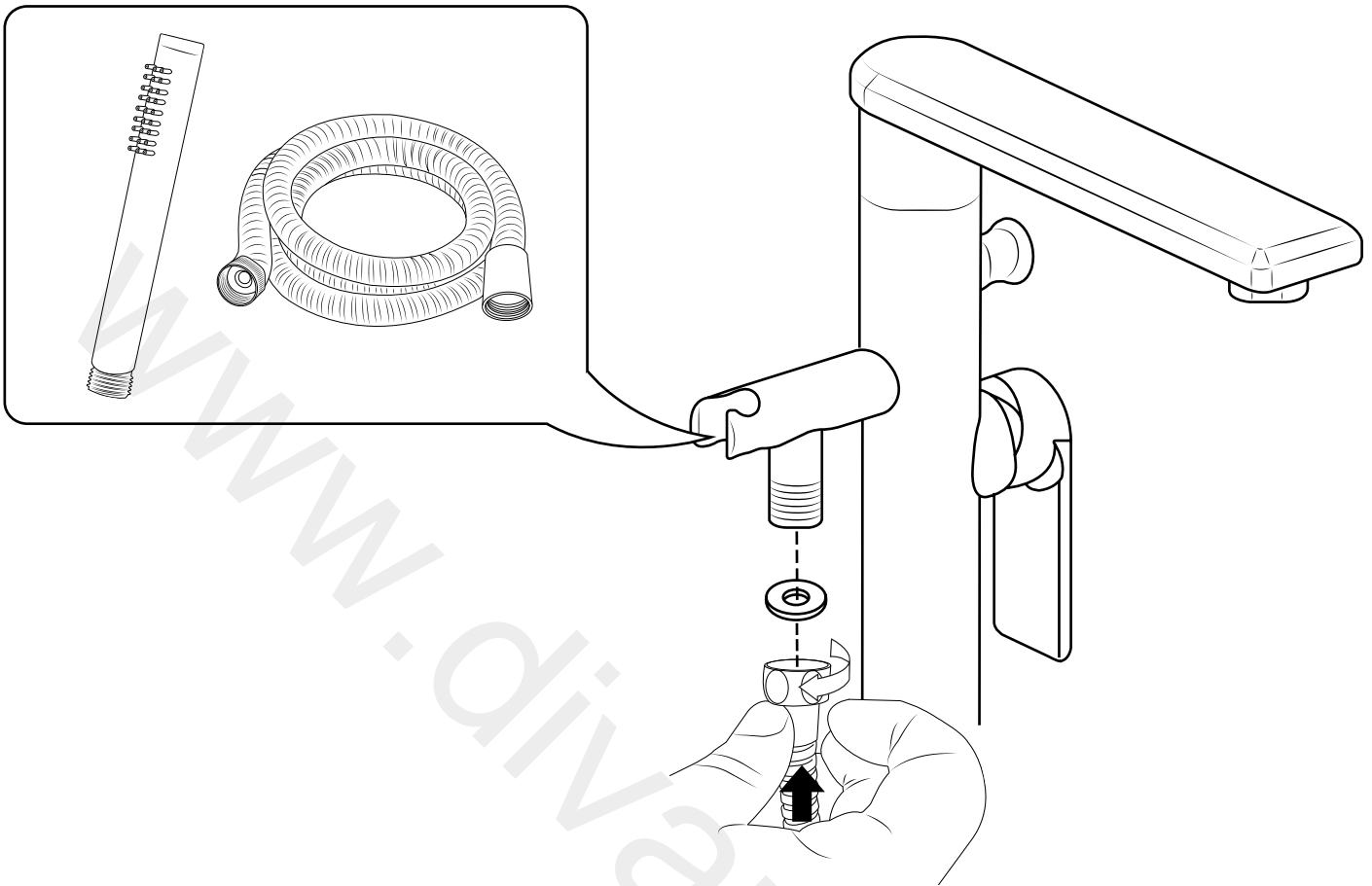
15



16



17



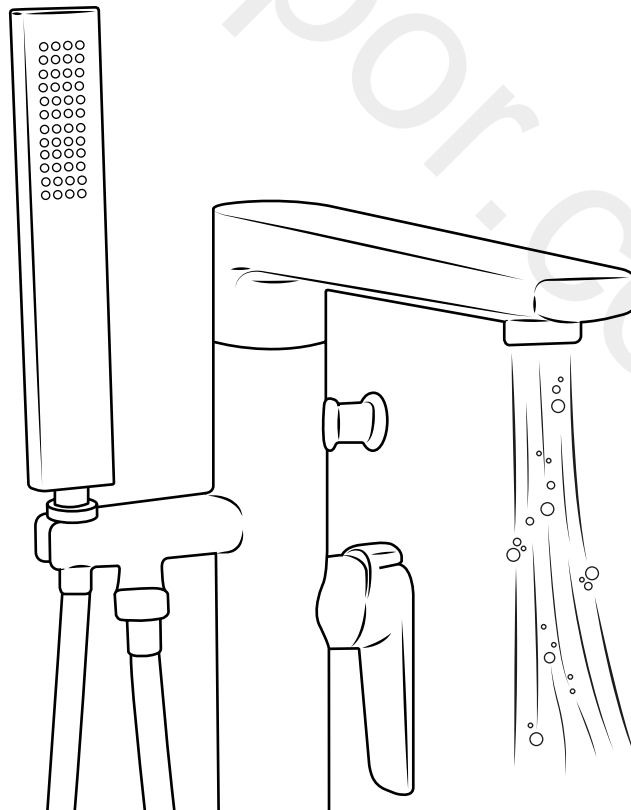
18



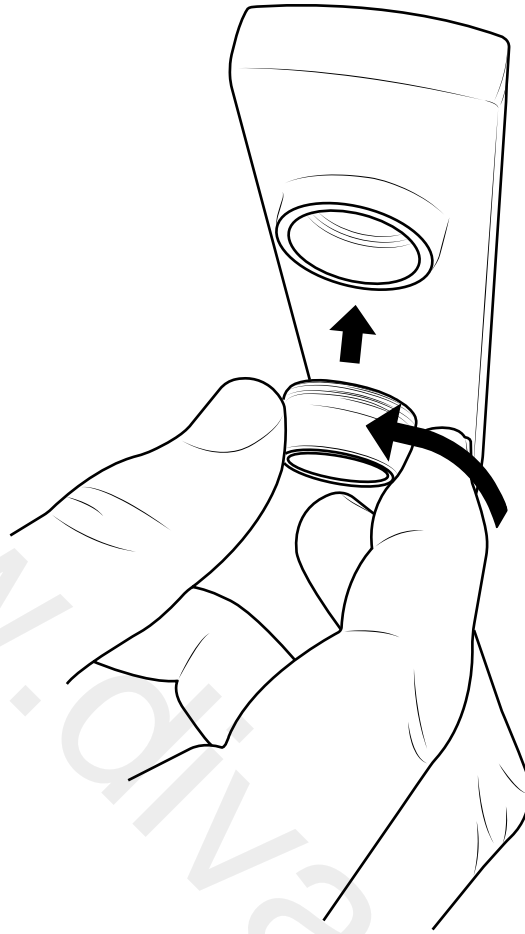
19



20



21



22

