

Milano

Freestanding Tap Legs

Installation Guide

Contents

Safety Information **Page - 2**

Installation **Page - 2**

Warranty Information **Page - 4**

Recycling & Disposal **Page - 4**

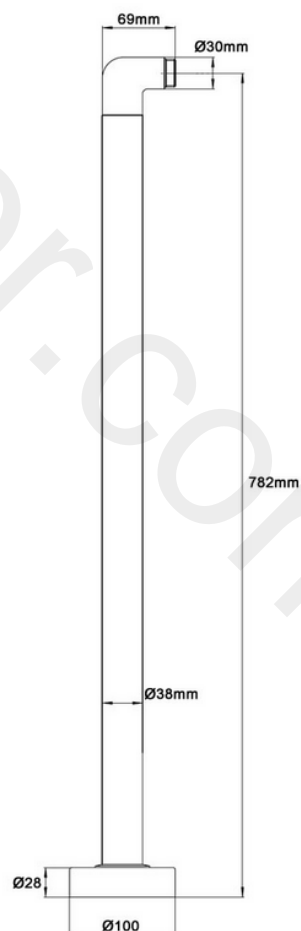
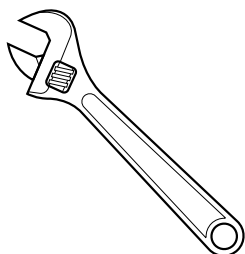
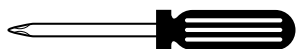
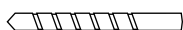
Safety Information

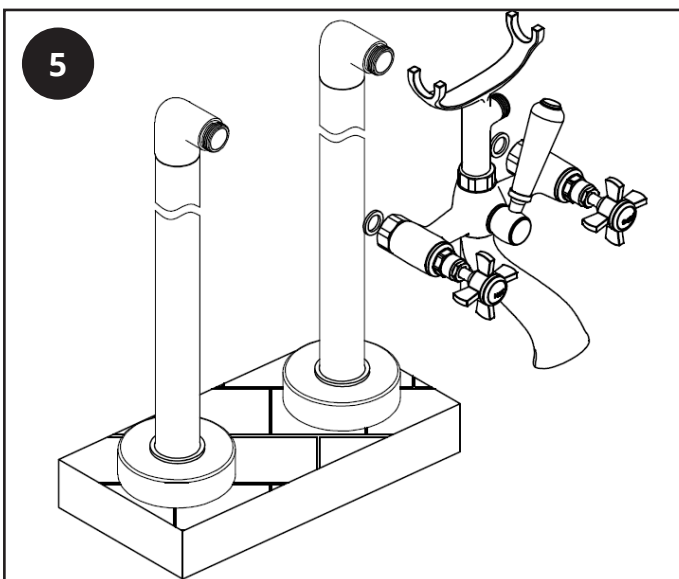
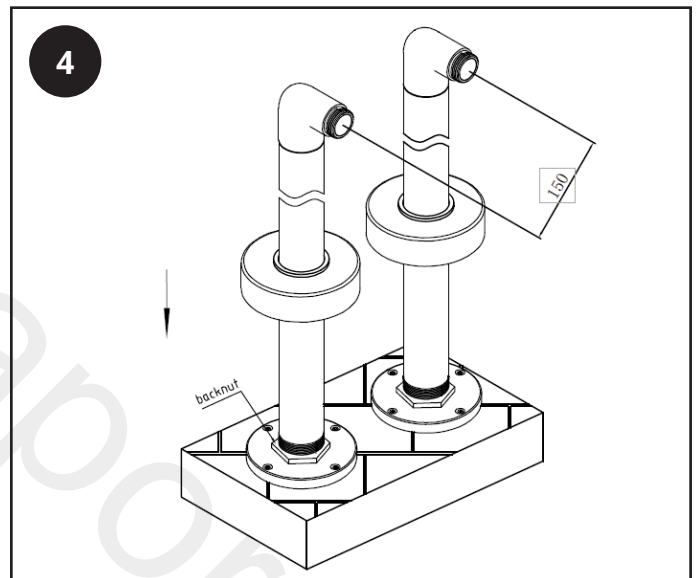
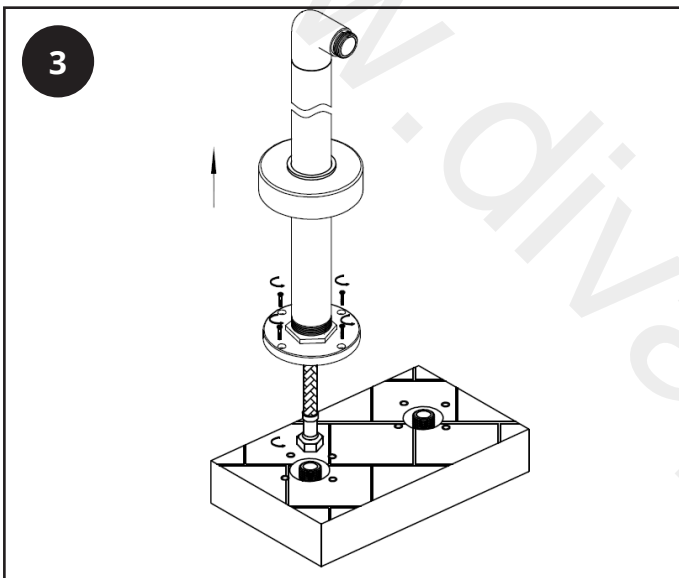
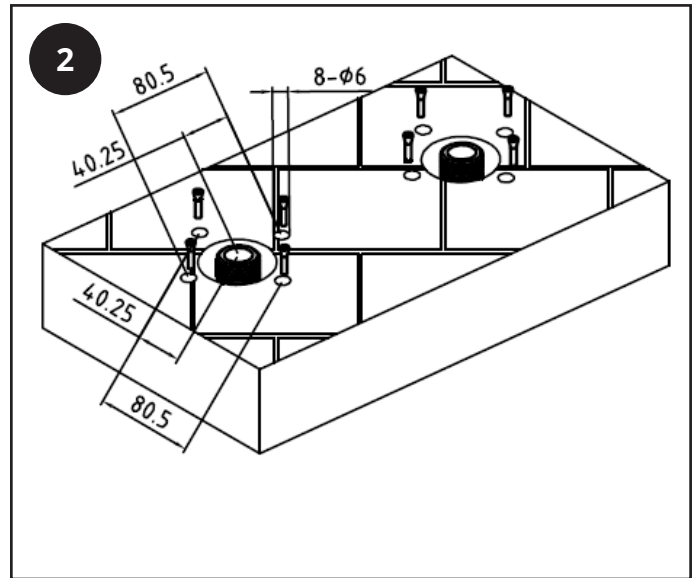
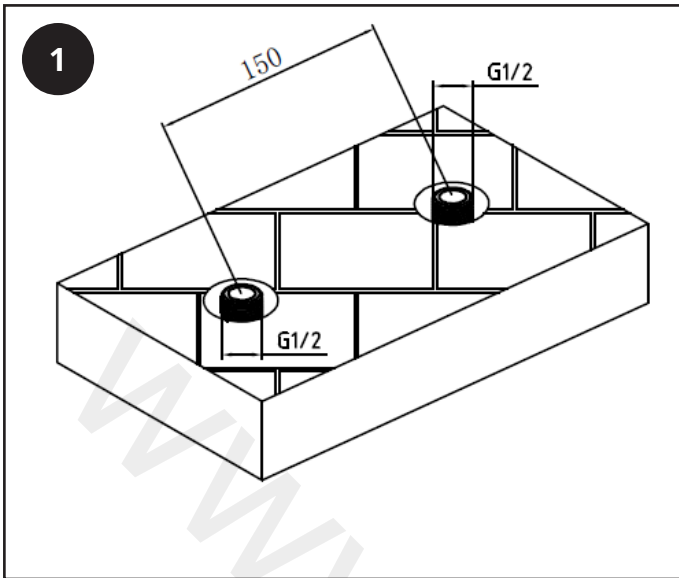
Please read carefully...

- ✓ Check the product for defects before installing.
- ✓ This Product requires access under the floor to fit.
- ✓ Do not place or lean heavy objects on this product.
- ✓ We Recommend installation is performed by a qualified plumber.

Installation

Tools required for installing:





Aftercare

Clean any marks with a soft dry cloth, for stubborn stains please clean with mild soapy water and buff out with a soft cloth. DO NOT use abrasive or acidic cleaners, if you are unsure, please contact us first.

Your Guarantee

- To find the specific guarantee for your product please refer to the website.
- The guarantee starts from the date of purchase.
- The guarantee covers you against issues caused as a result of manufacturing related issues, it does not apply to issues that are found to be a result of poor installation.
- Labour costs for installation of the product are not covered under this warranty.

Recycling and Disposal

Please recycle the packaging in accordance with your local government regulations on waste handling, and follow the same advice at the end of the products life.

Product - Steel.

Packaging - Cardboard, plastic, steel.

Contact us

Milano

Unit 1 & 2 Dawson Ct

Burnley

Lancashire

BB11 5UB