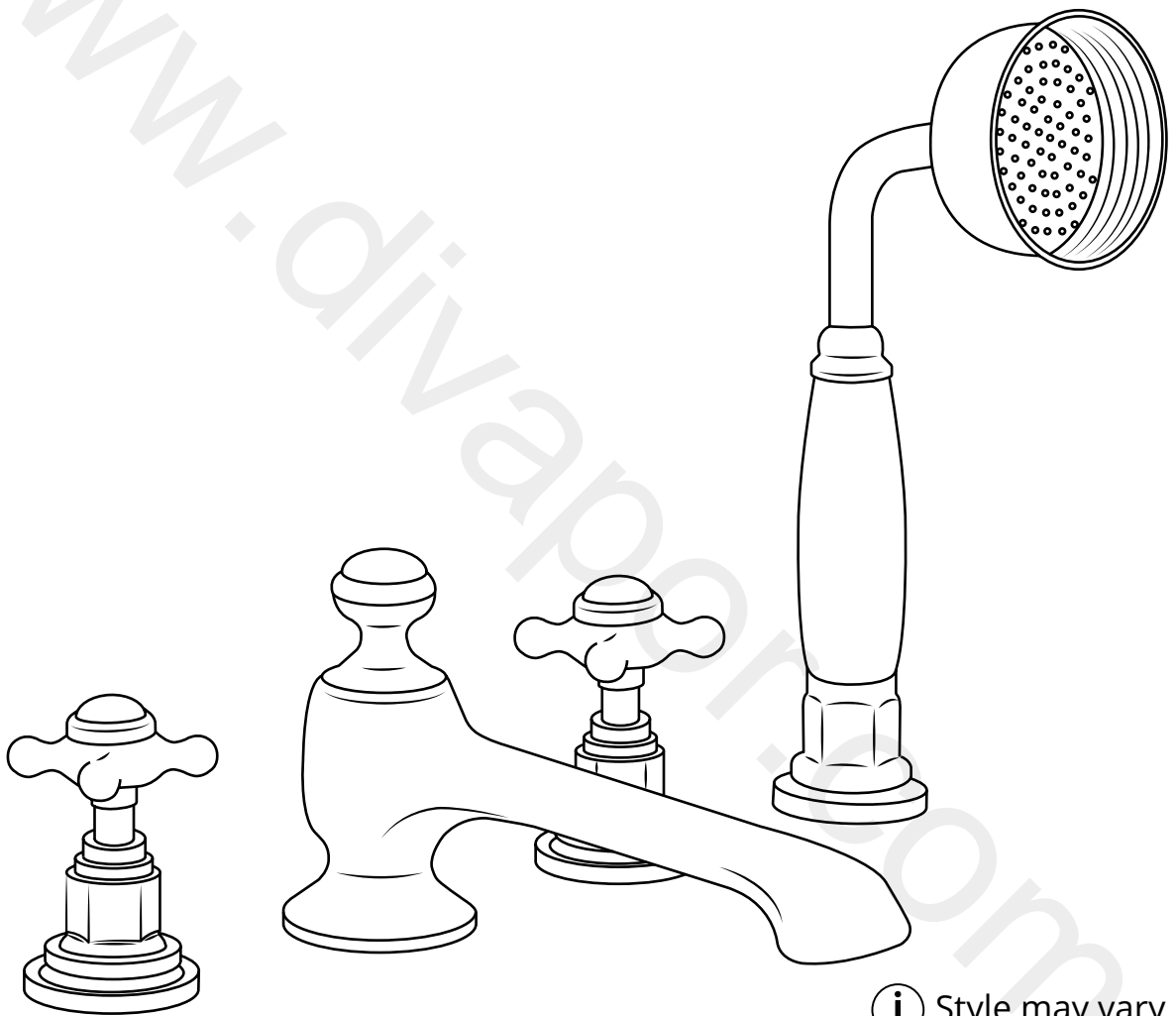


Milano

Traditional 4 Tap Hole Bath Shower Mixer

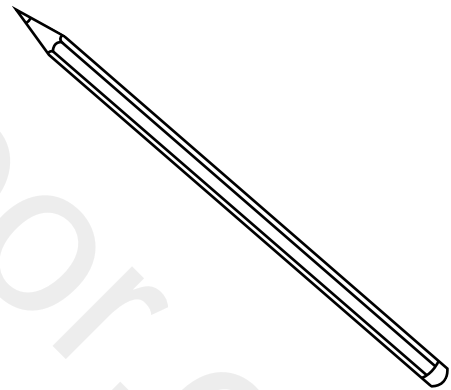
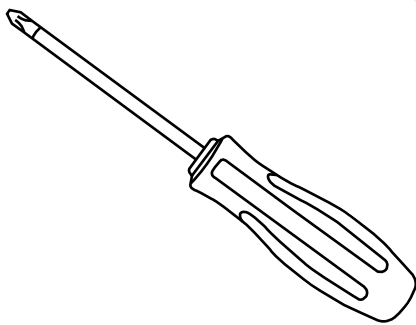
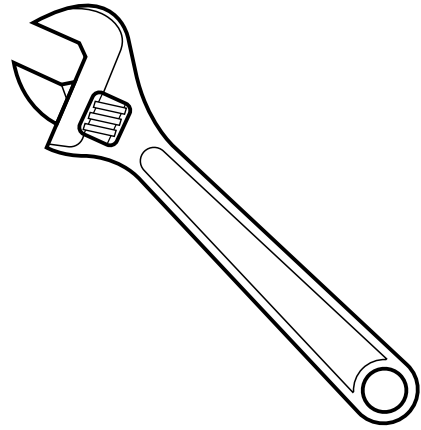
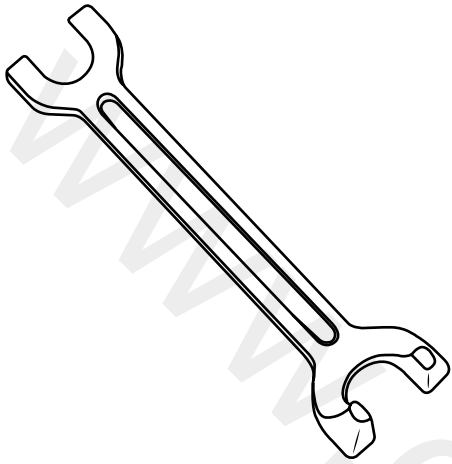


 Style may vary

Installation Guide

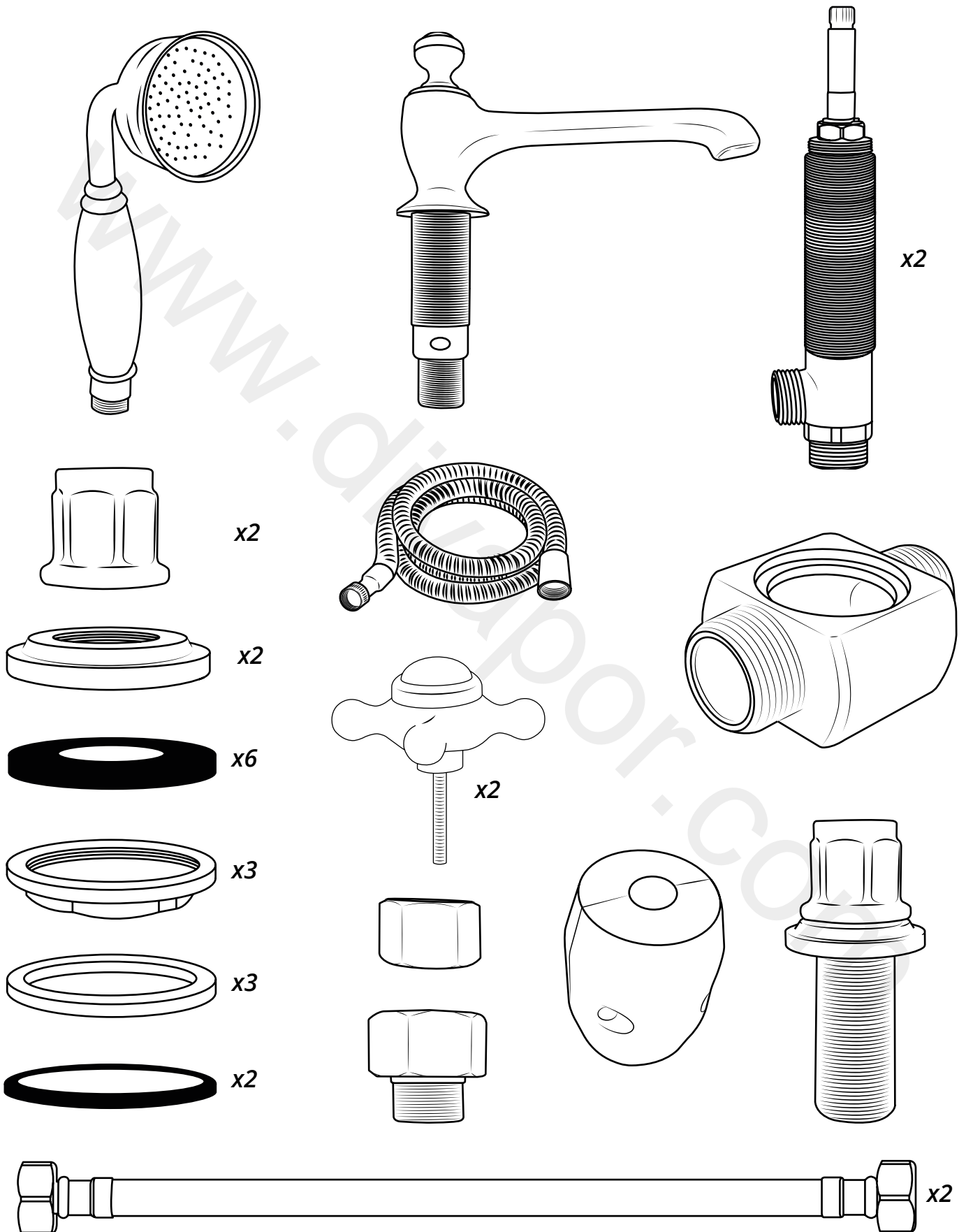
Installation

Tools required for installing:

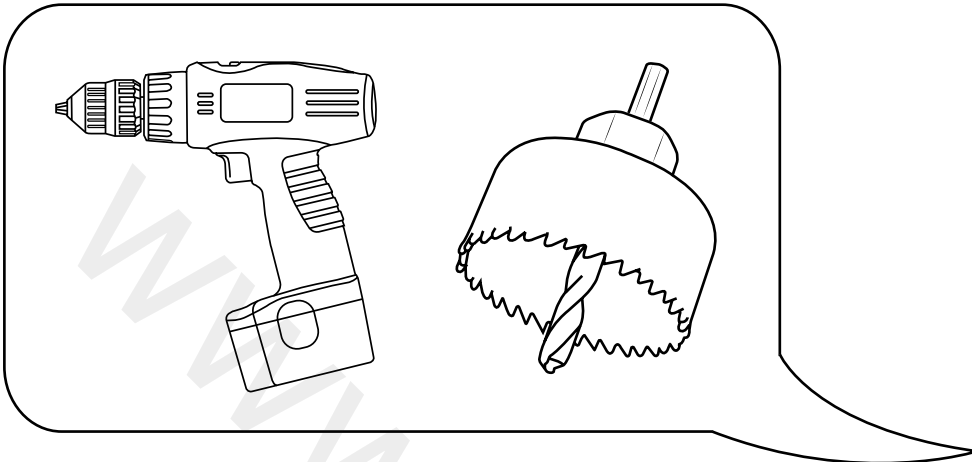


Installation

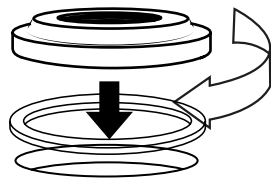
Parts included:



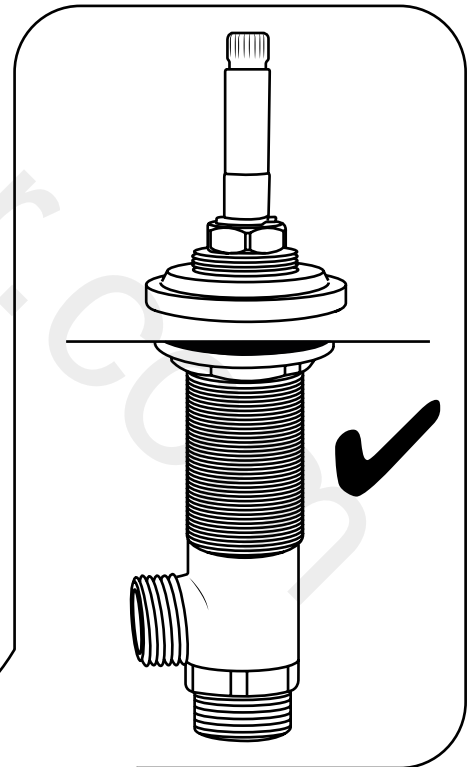
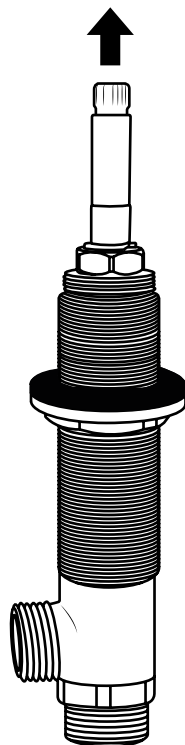
1



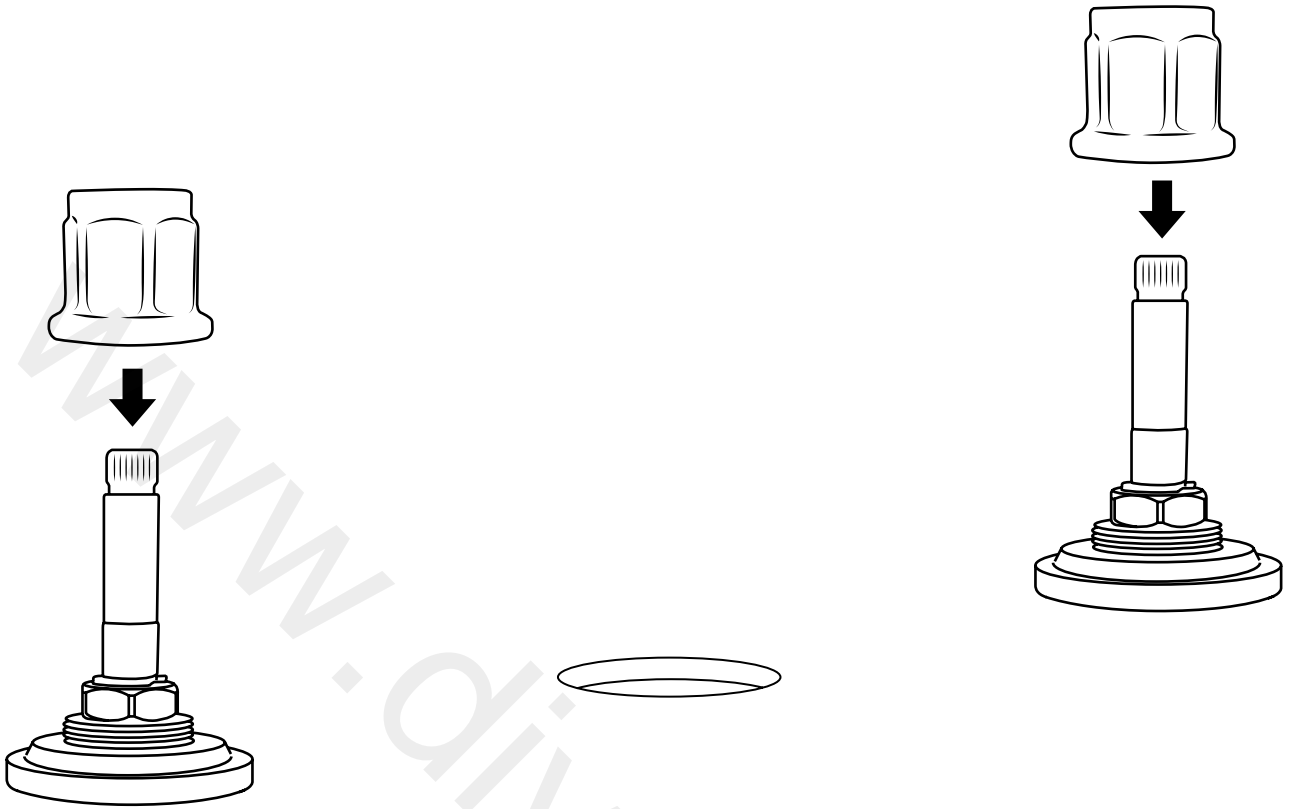
2



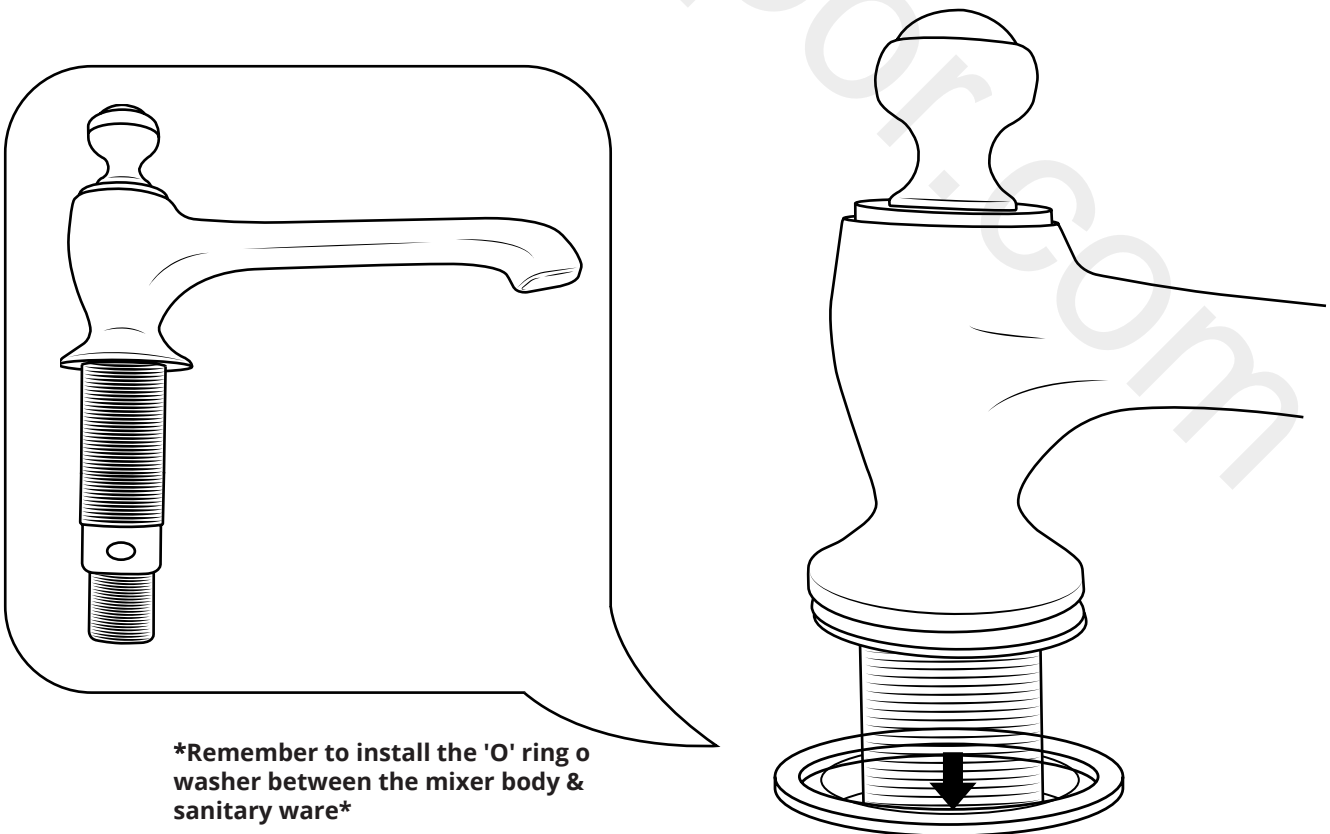
Remember to install the 'O' ring washer between the mixer body & sanitary ware



3

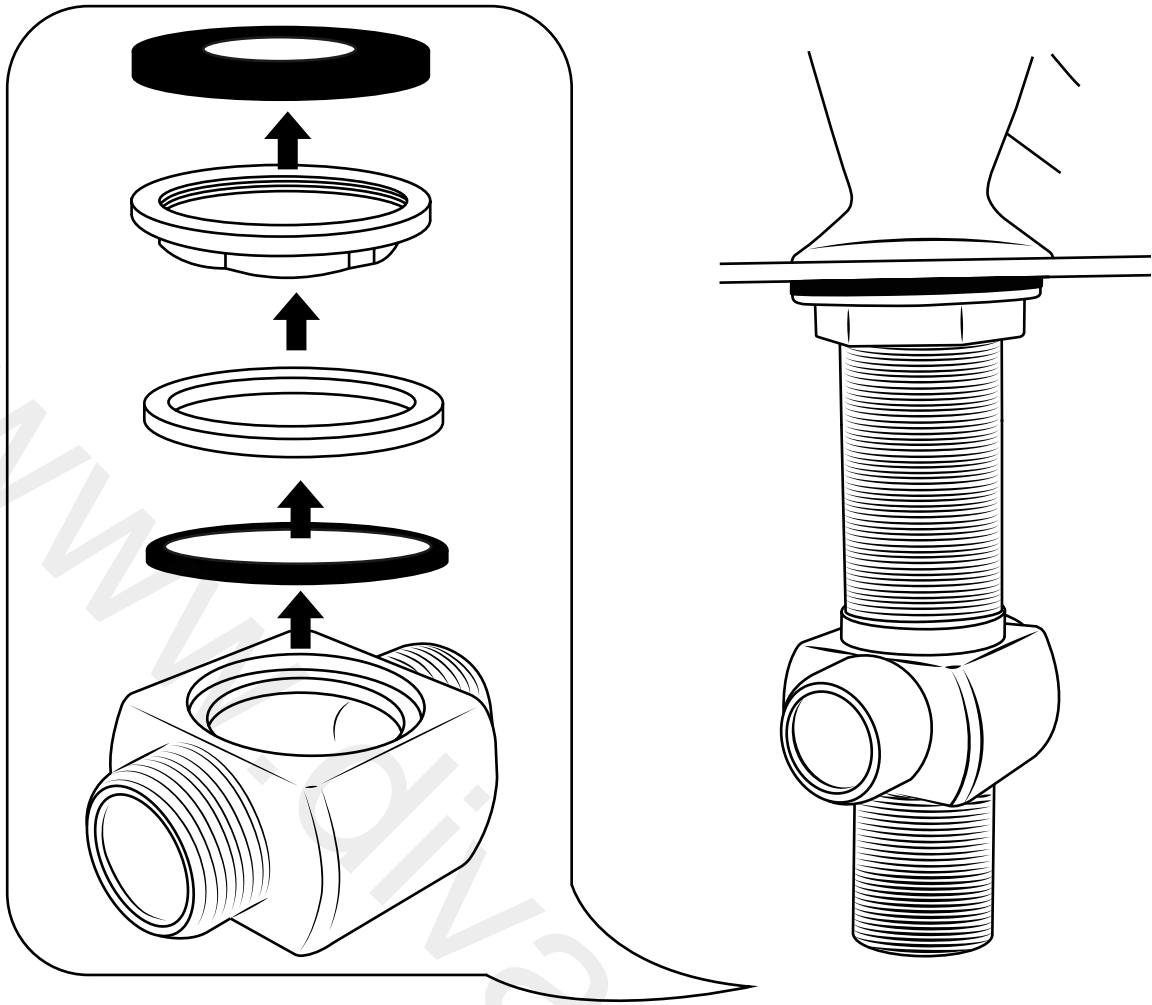


4

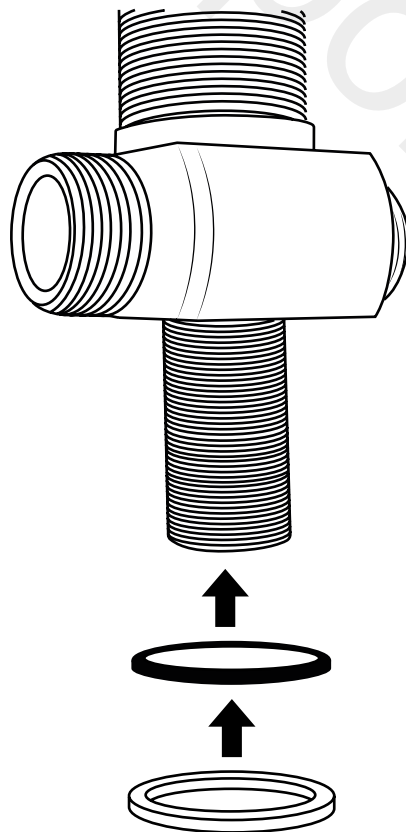


Remember to install the 'O' ring o washer between the mixer body & sanitary ware

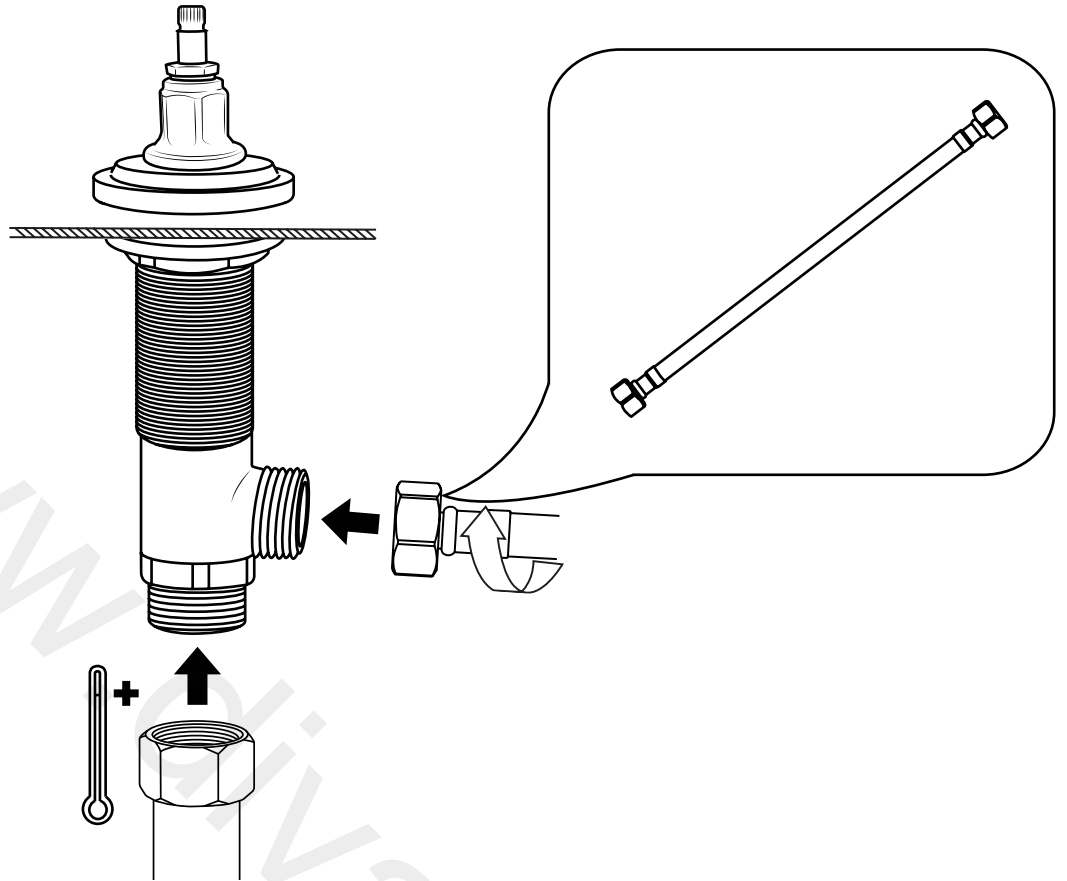
5



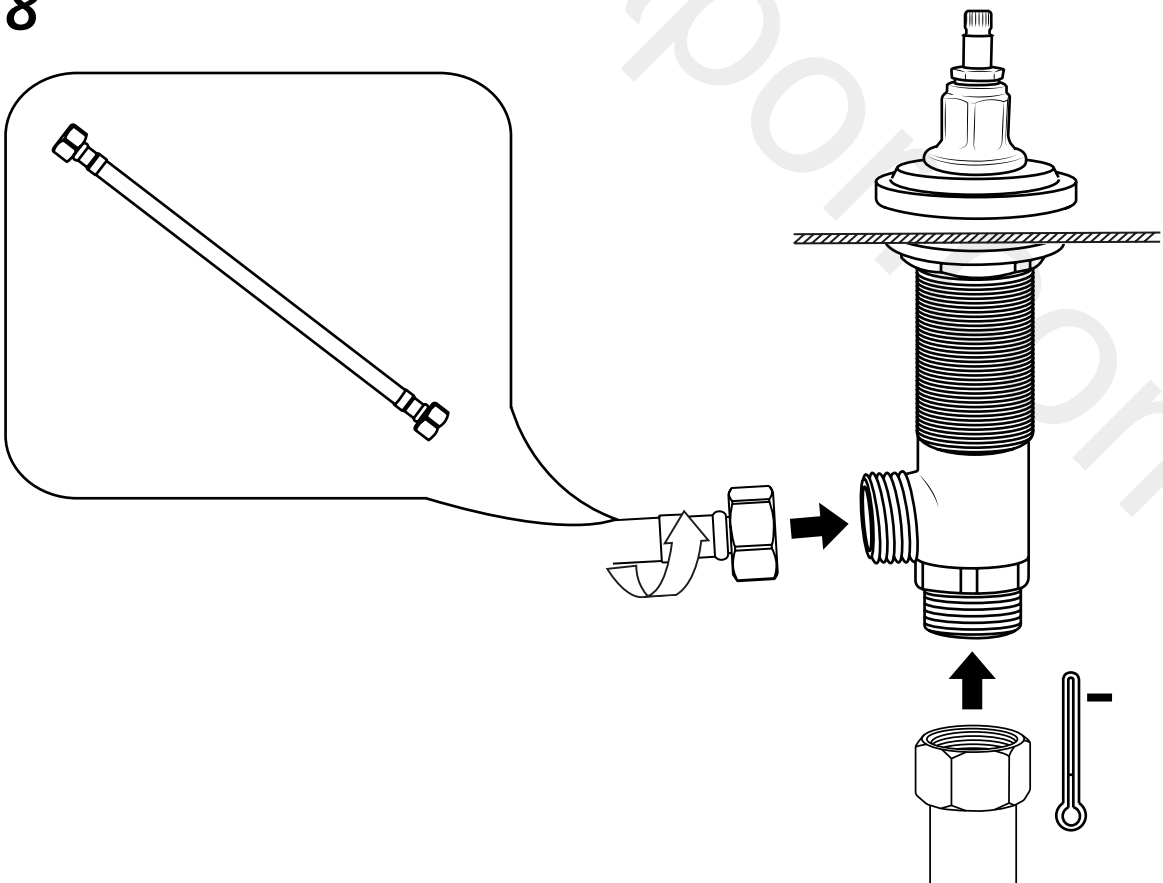
6



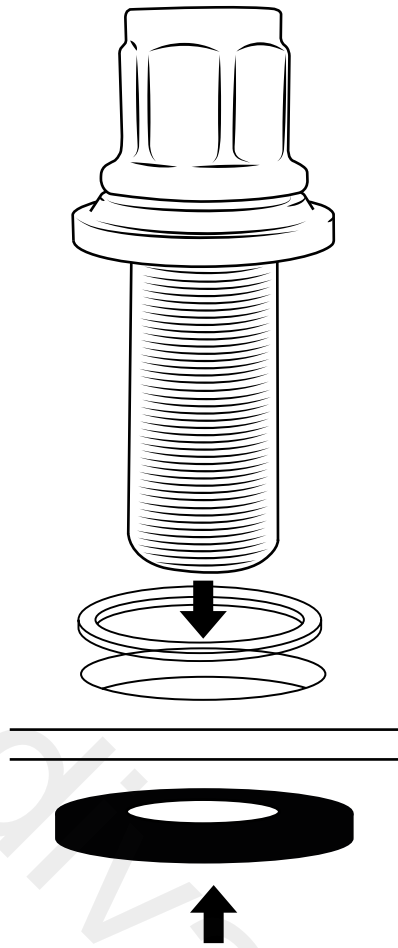
7



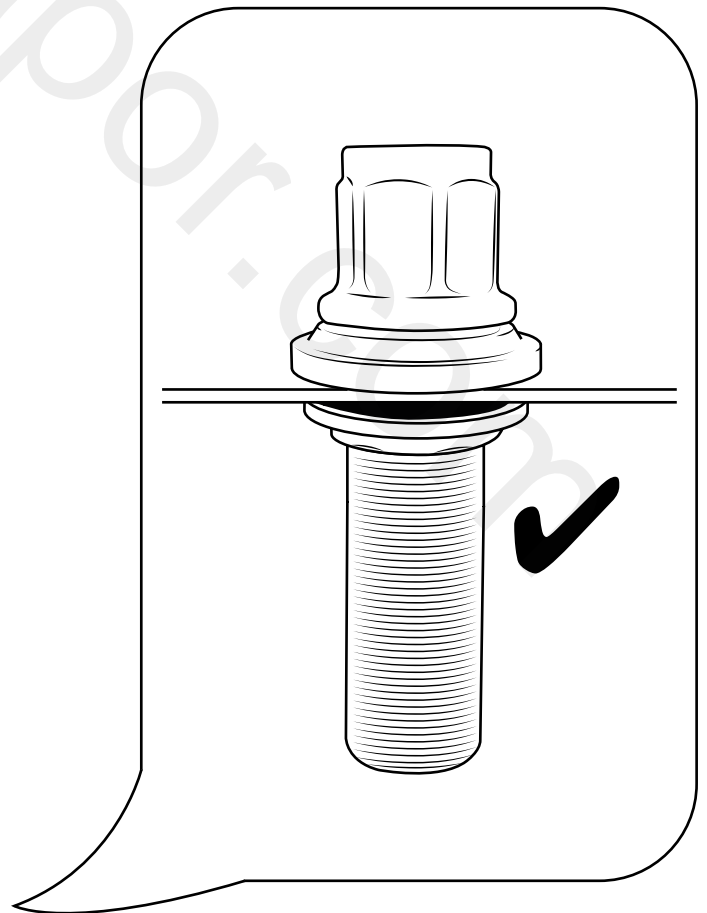
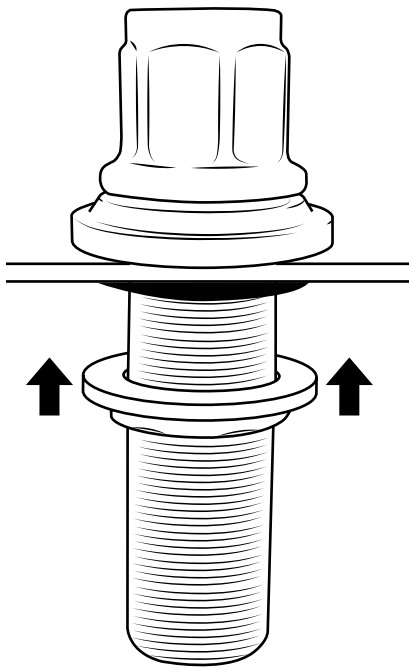
8



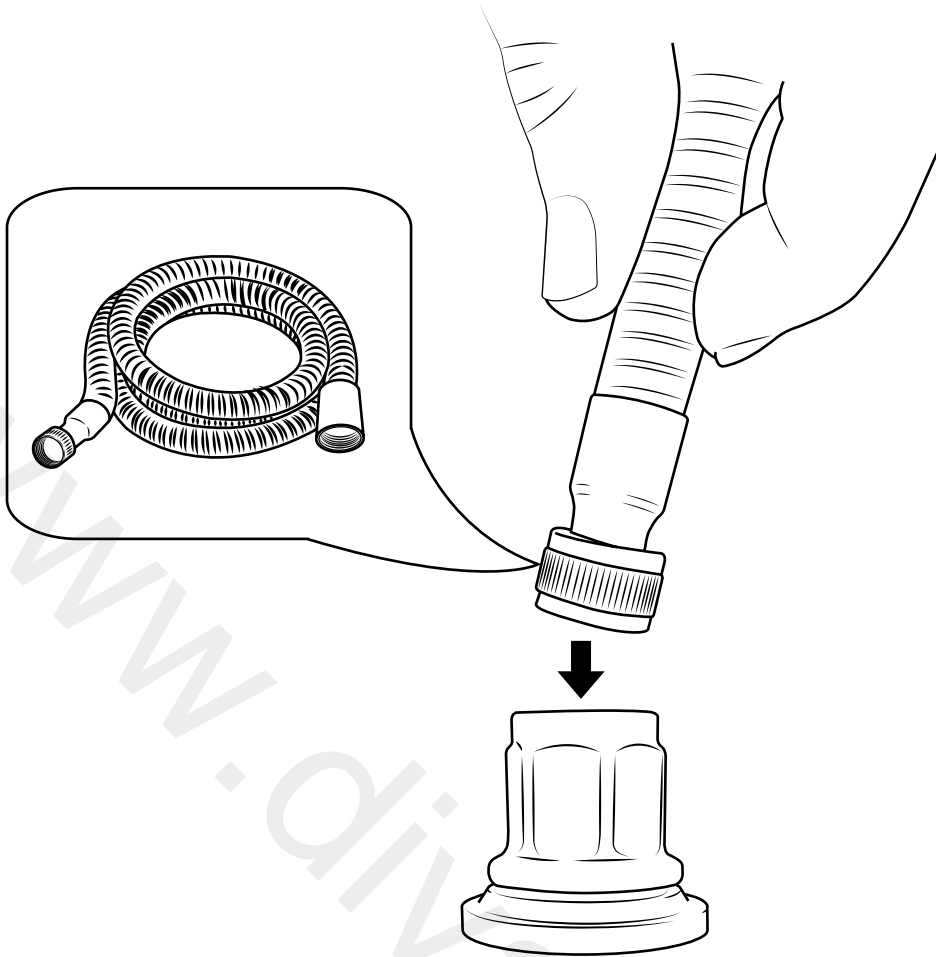
9



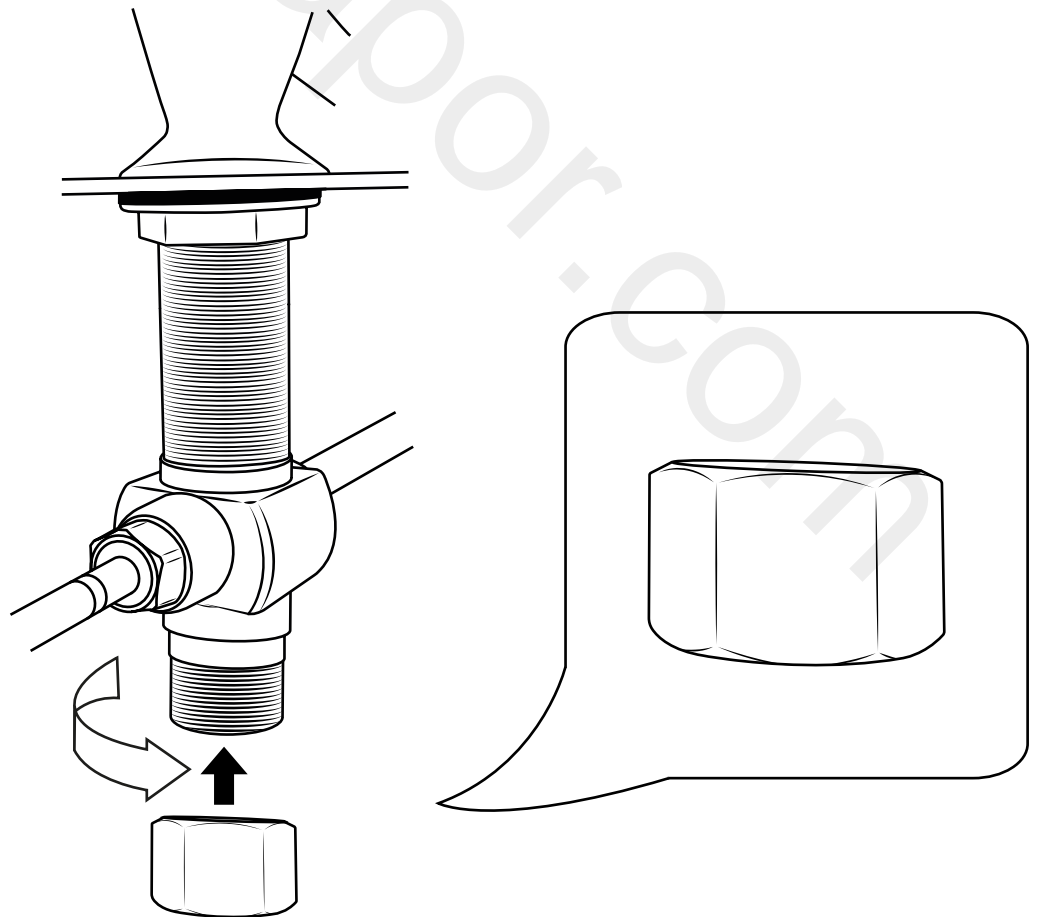
10



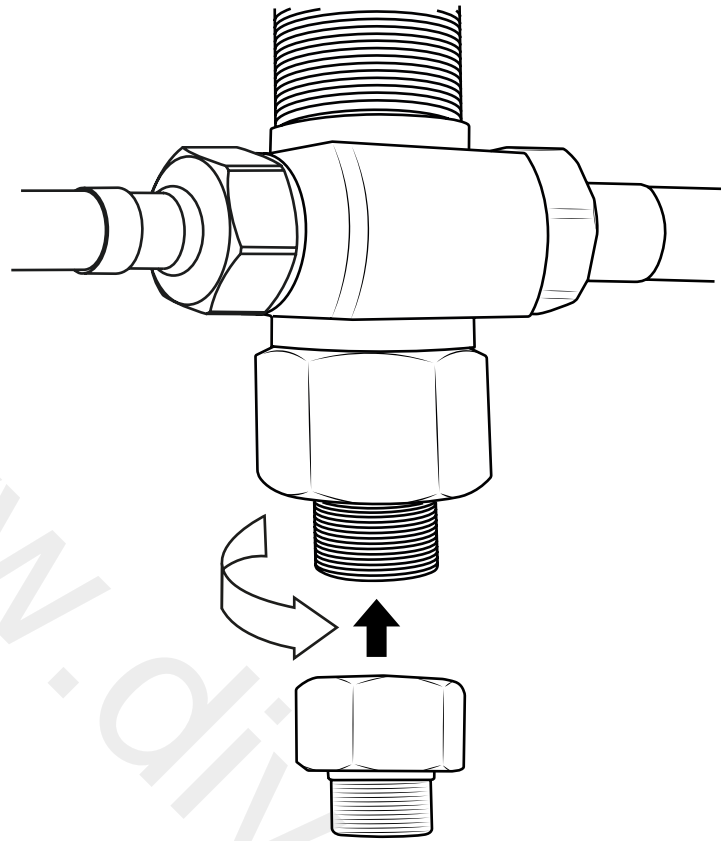
11



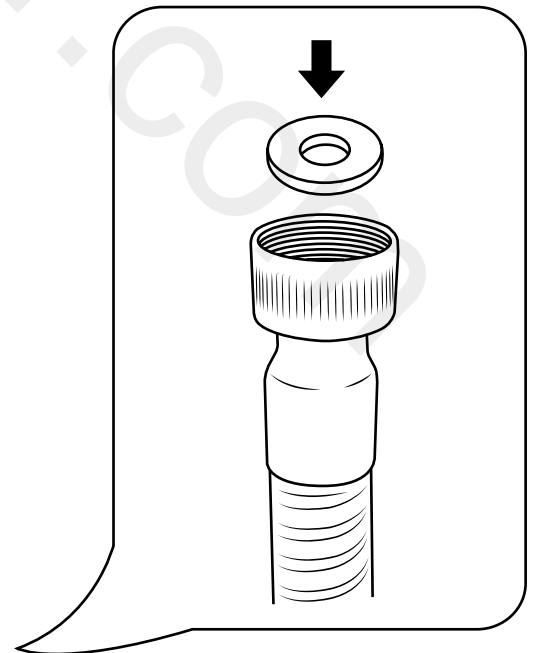
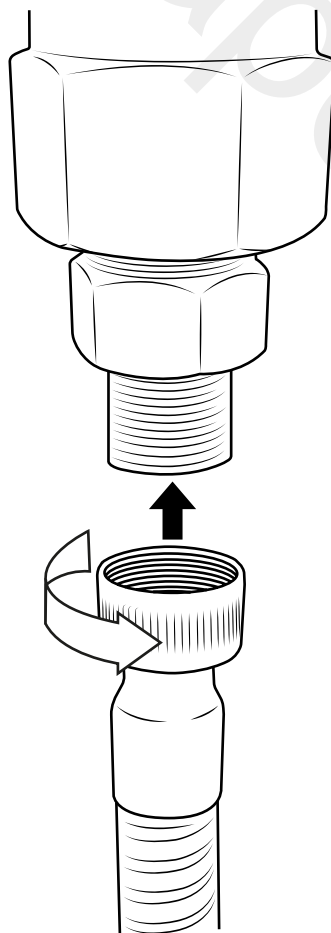
12



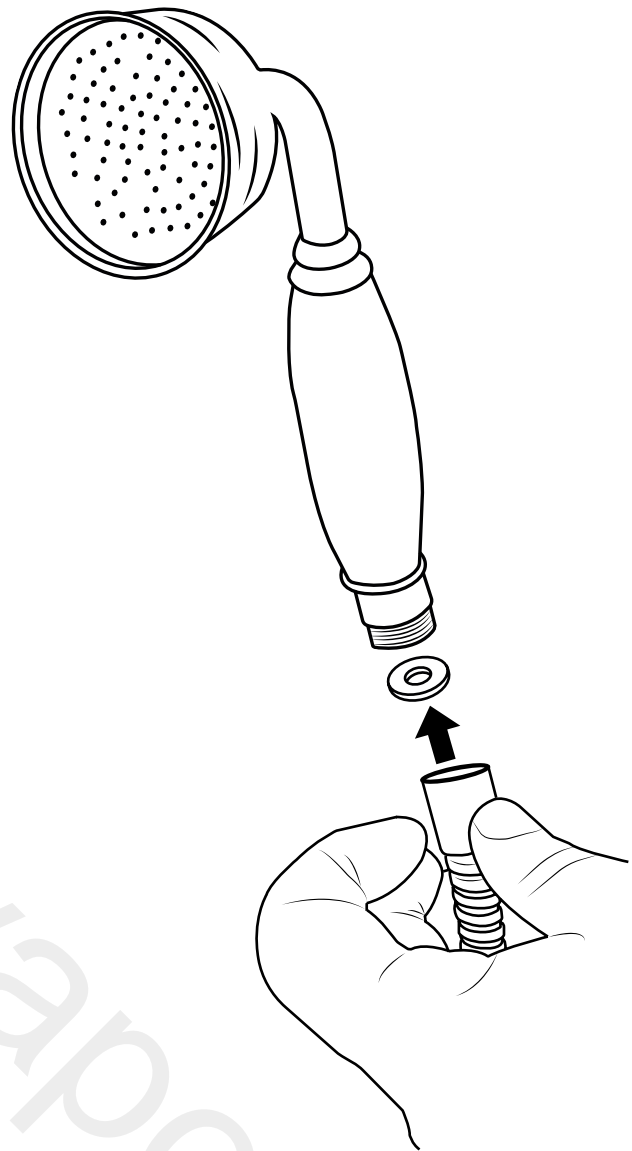
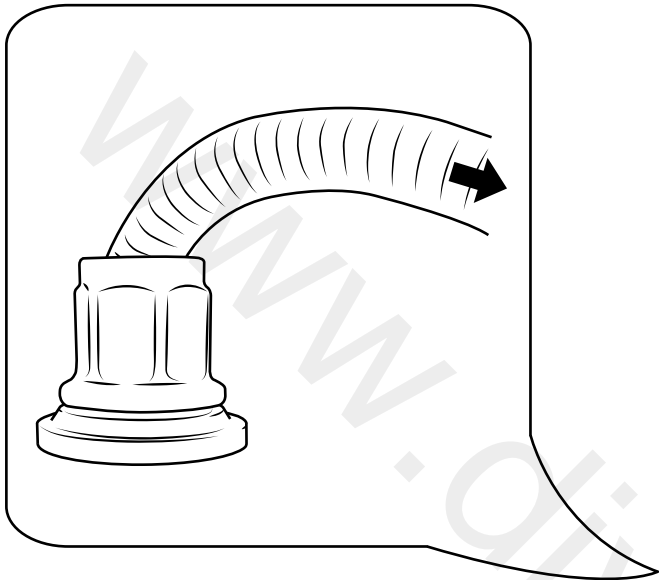
13



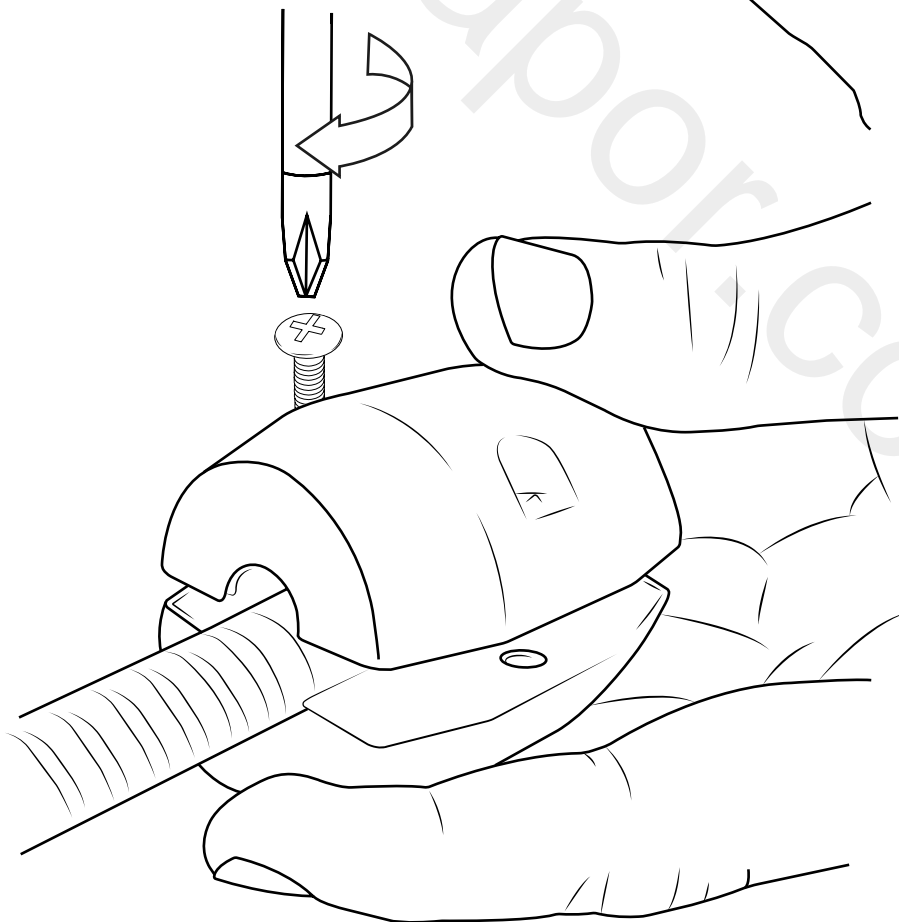
14



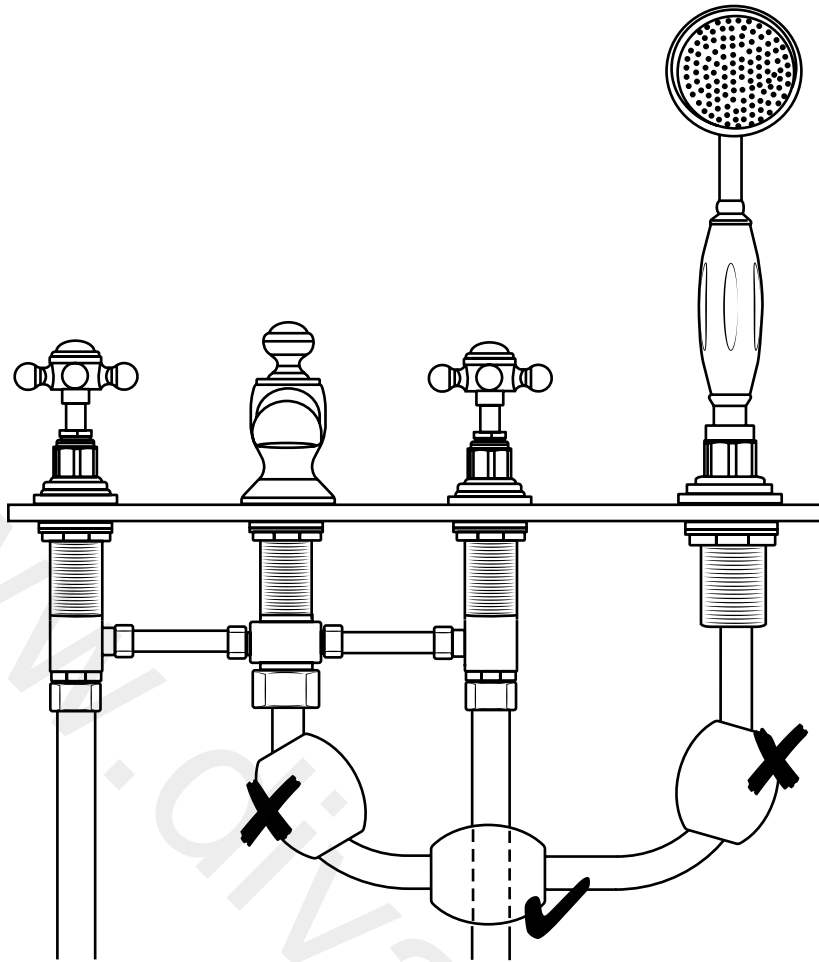
15



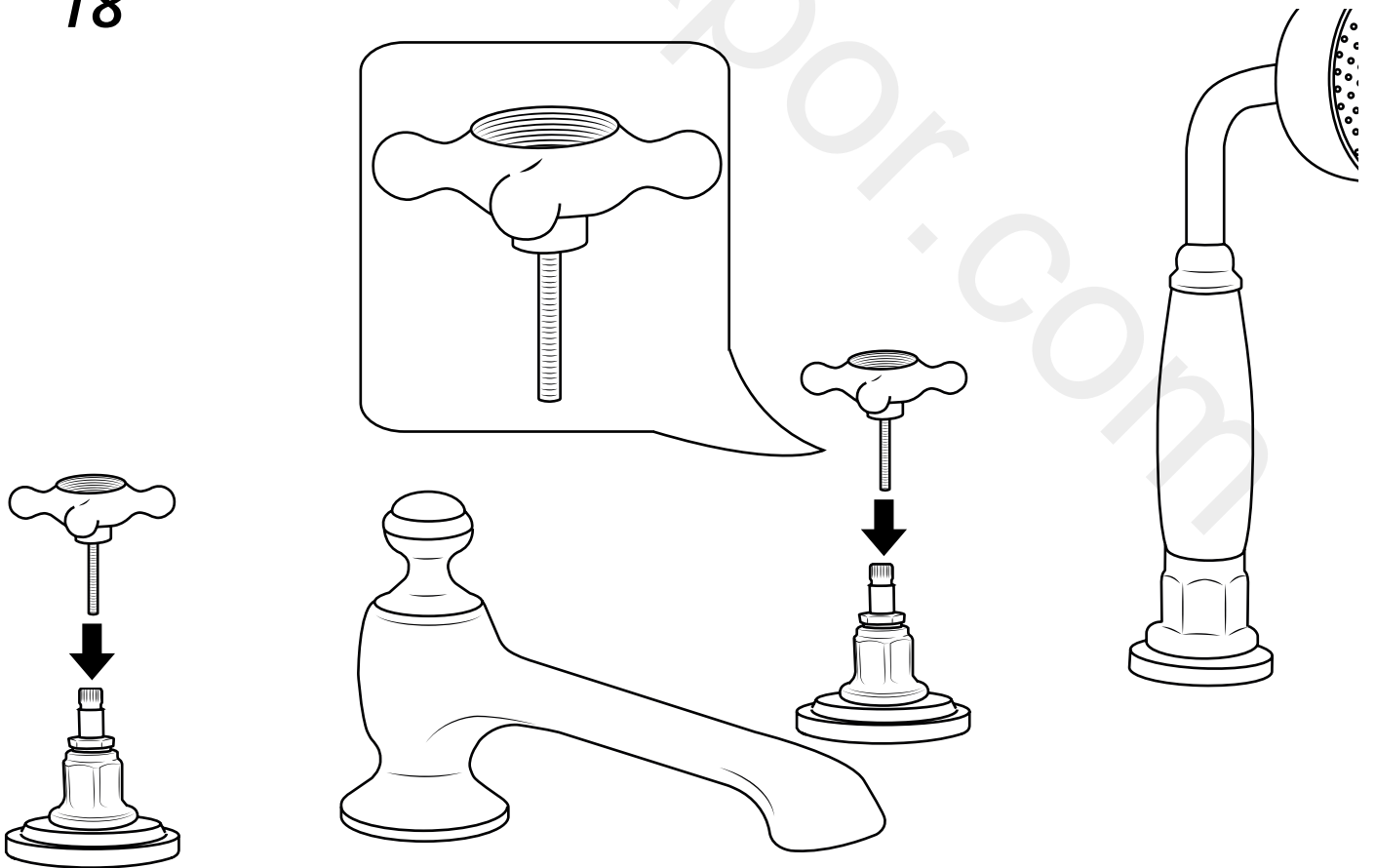
16



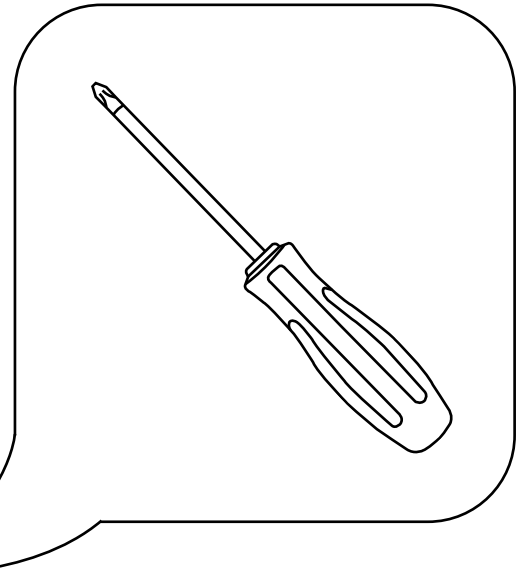
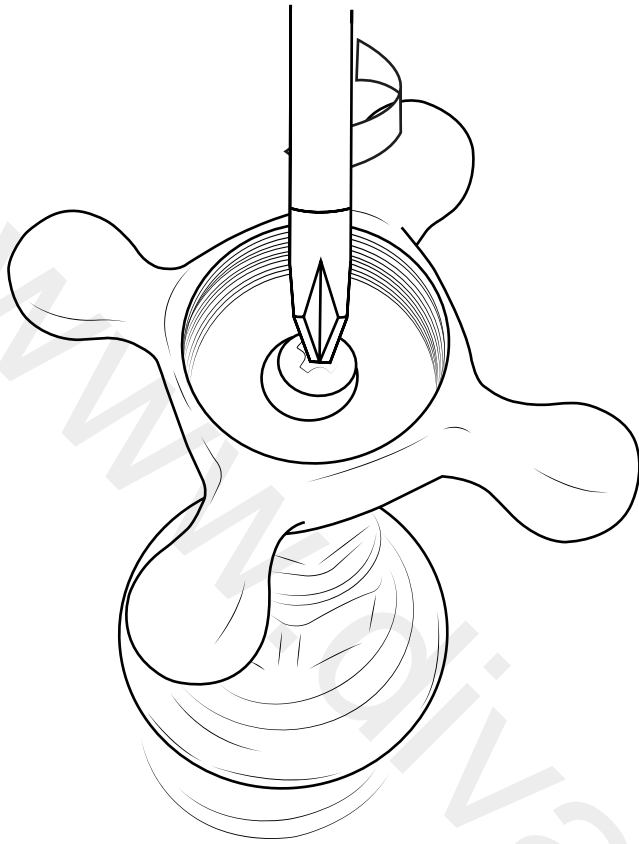
17



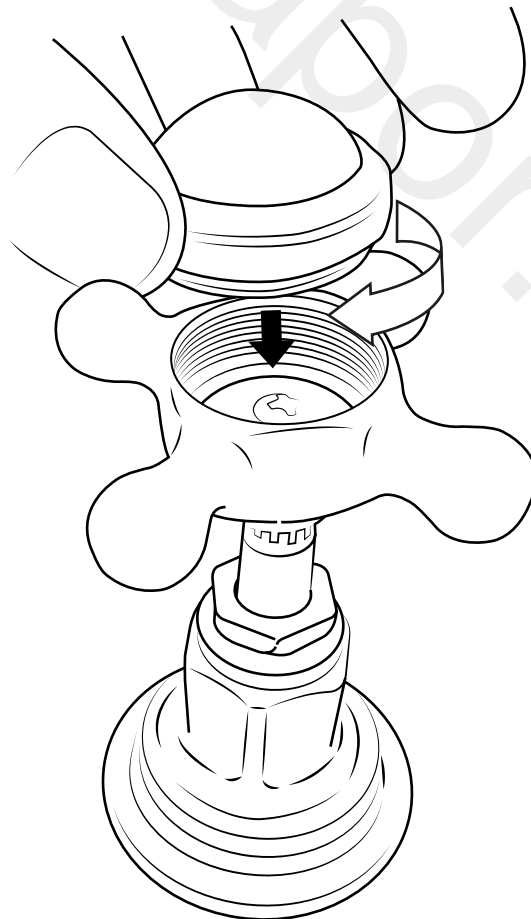
18



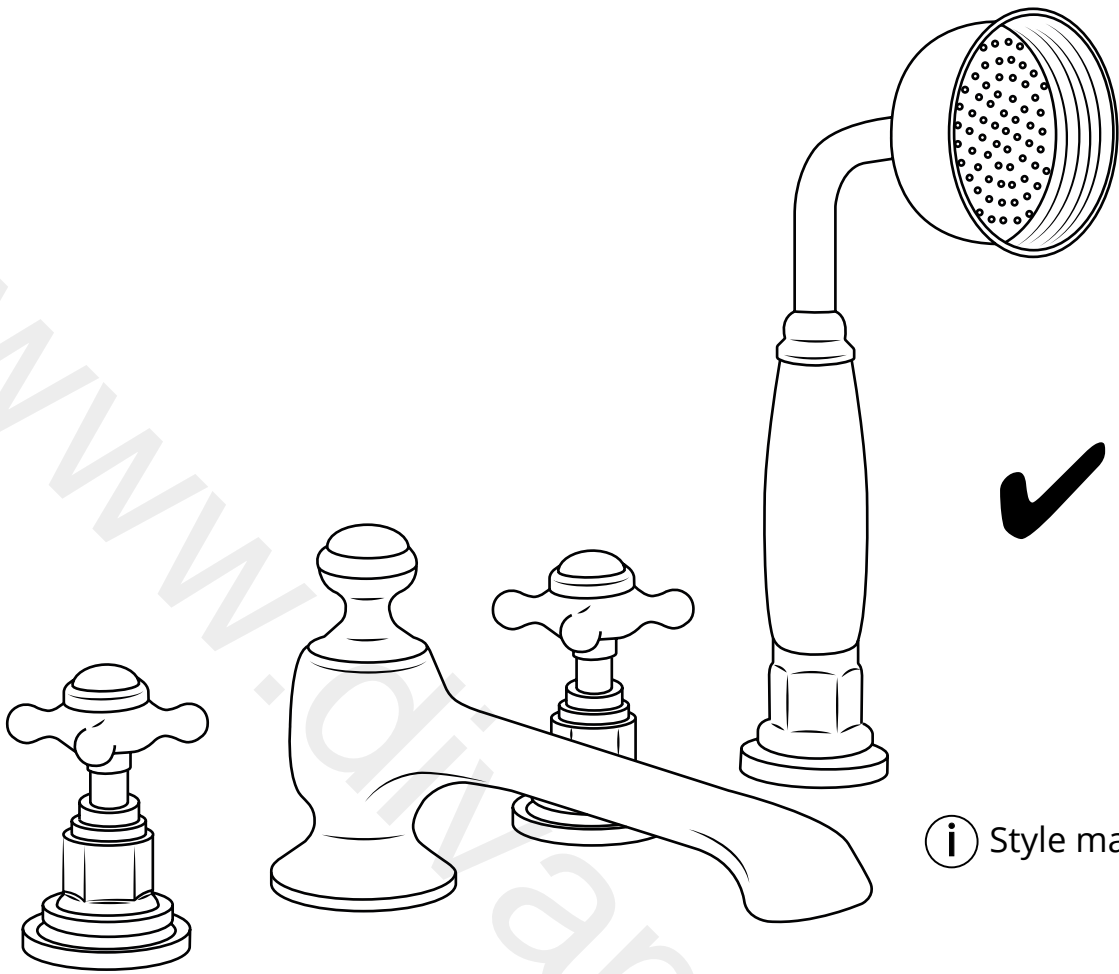
19




20



21



 Style may vary