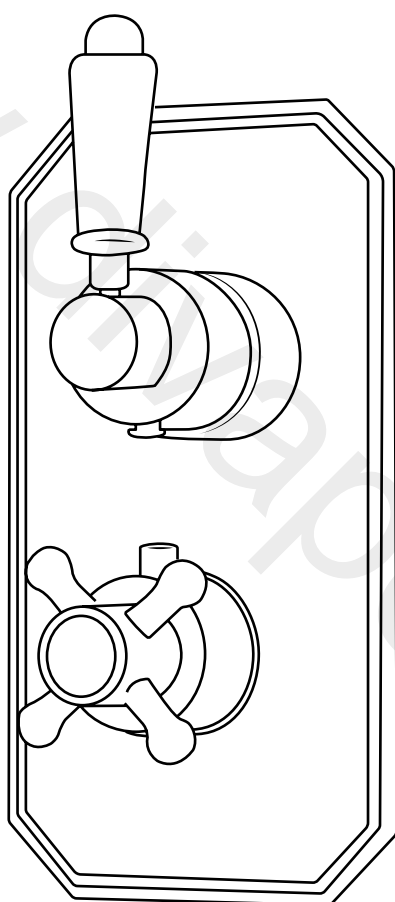



Milano

Traditional Twin Valve

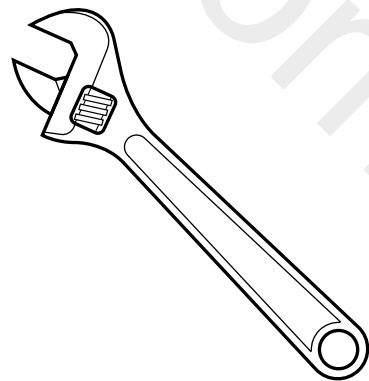
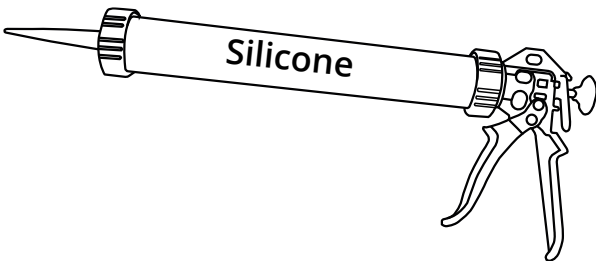
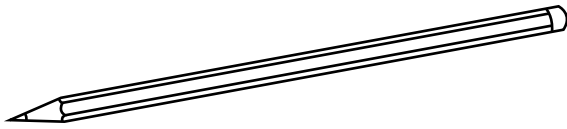
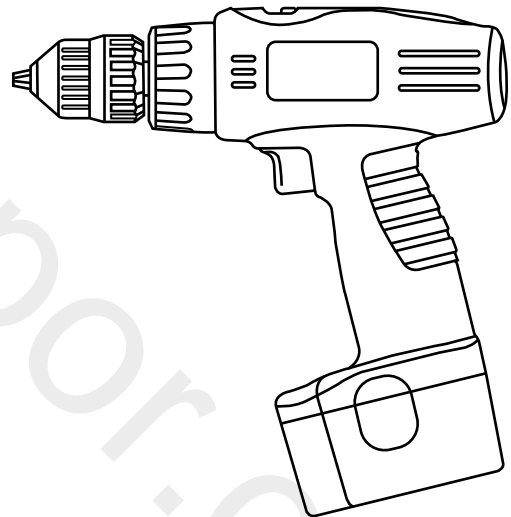
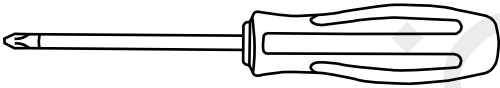
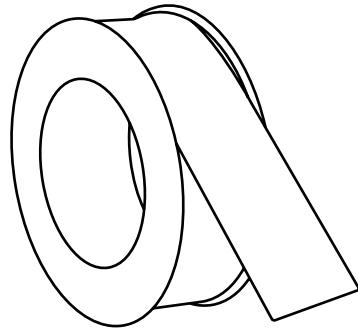
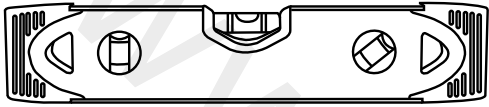


Installation Guide

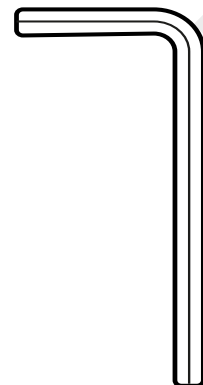
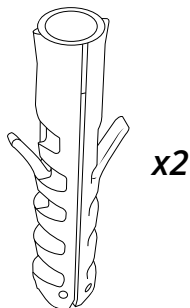
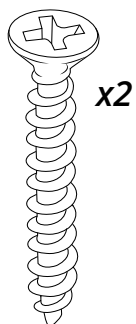
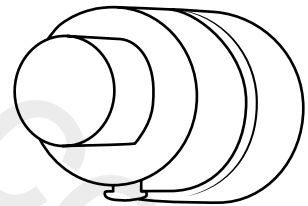
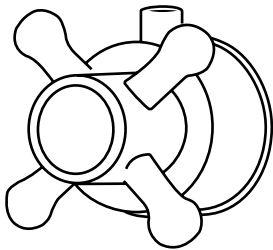
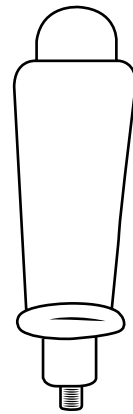
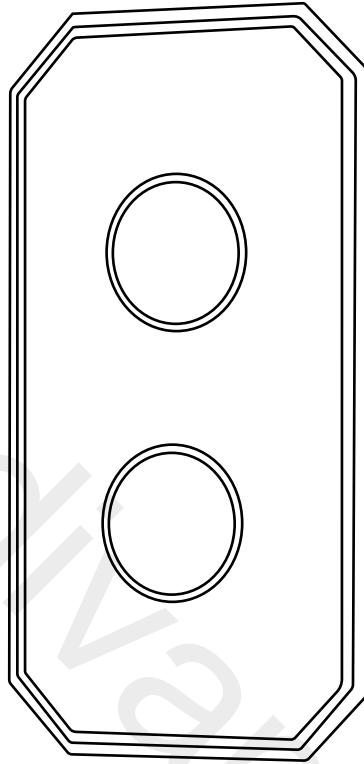
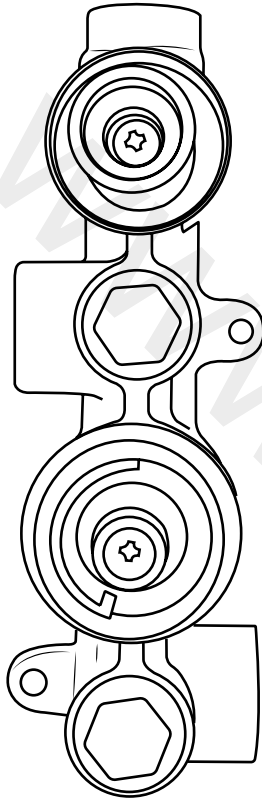
 Style may vary

Installation

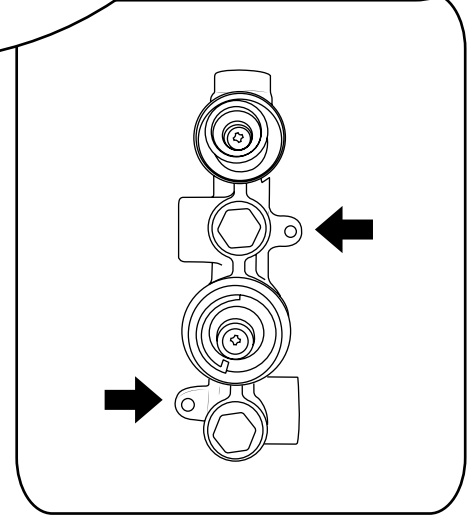
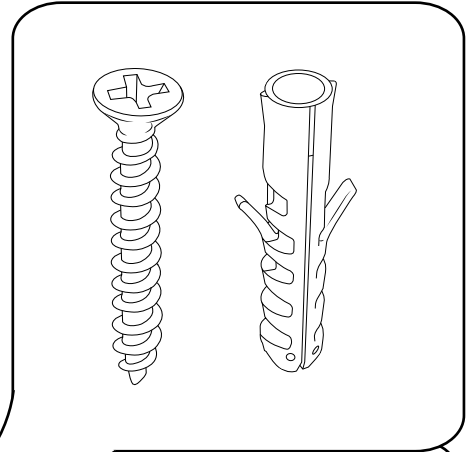
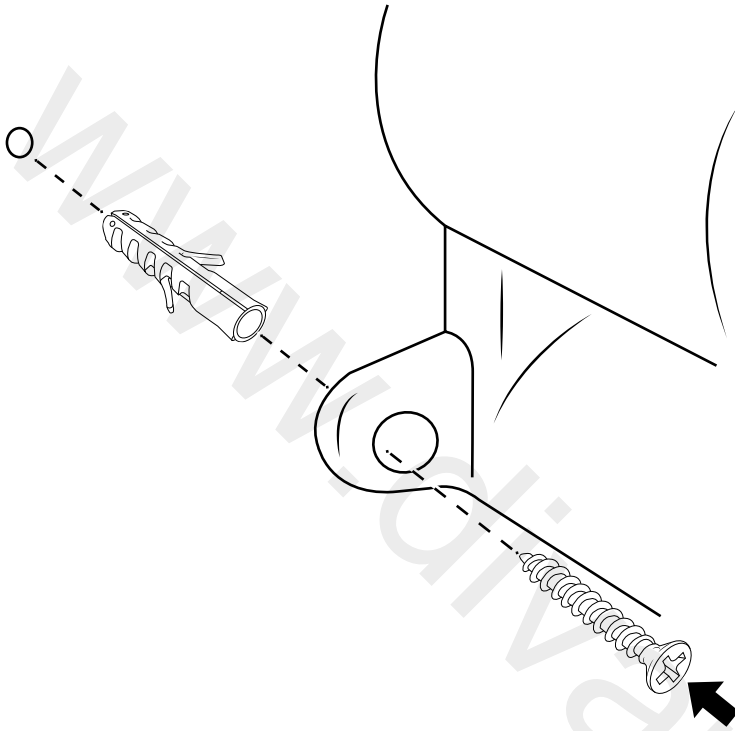
Tools required for installing:



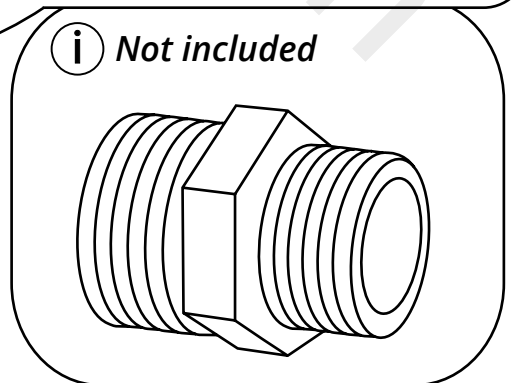
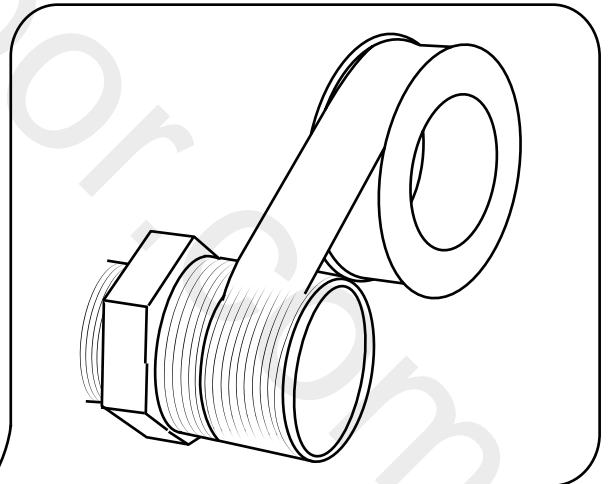
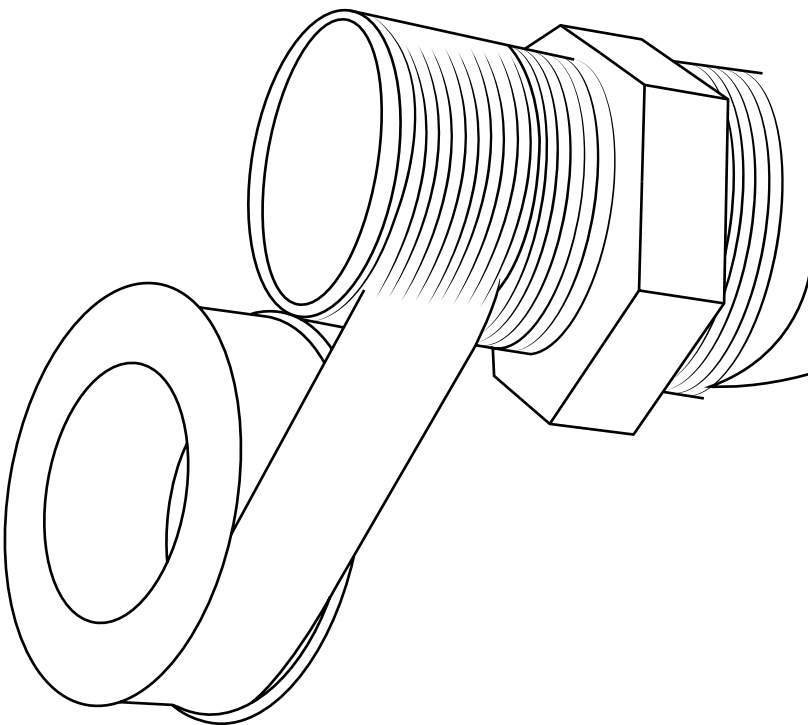
Parts included:



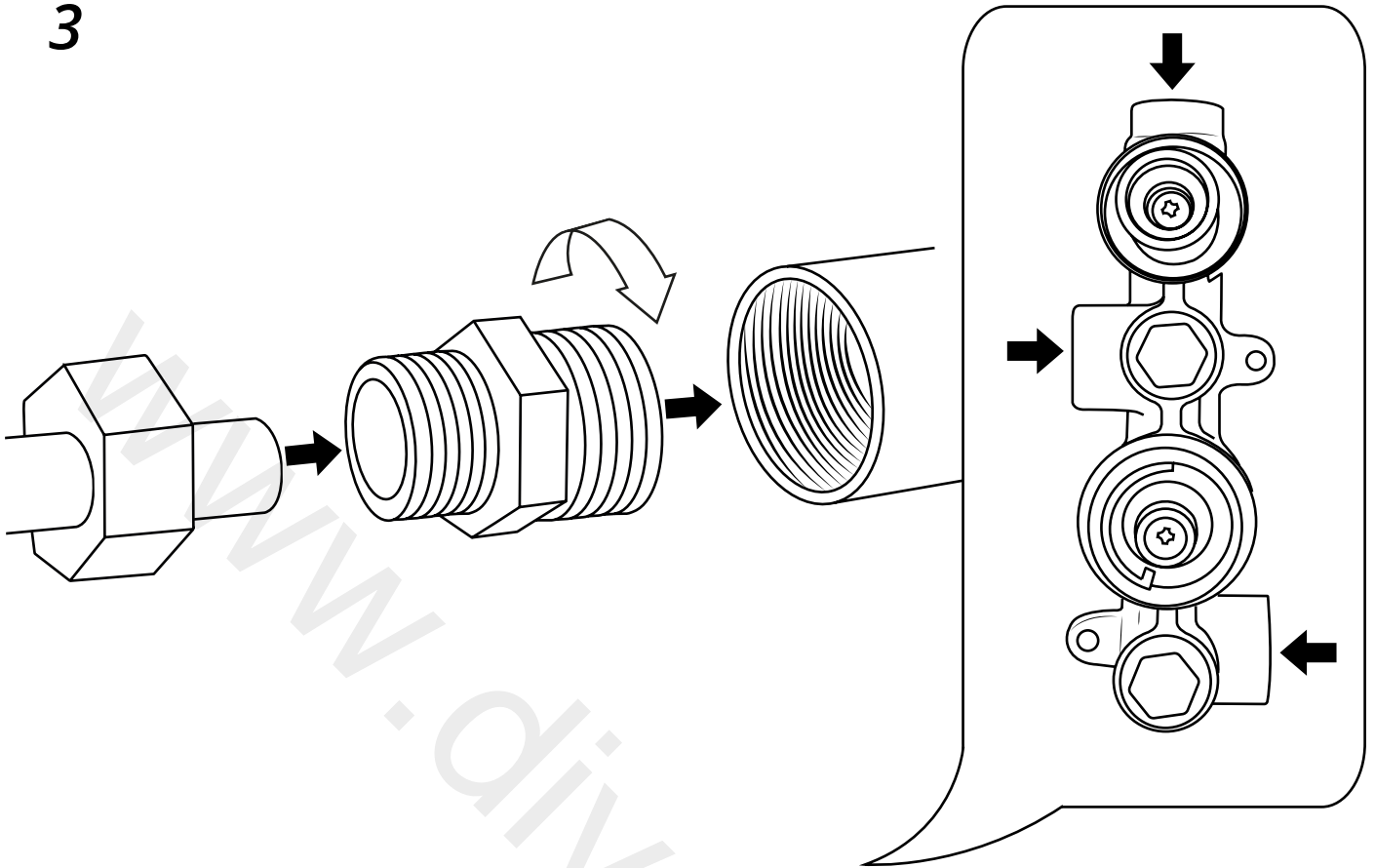
1



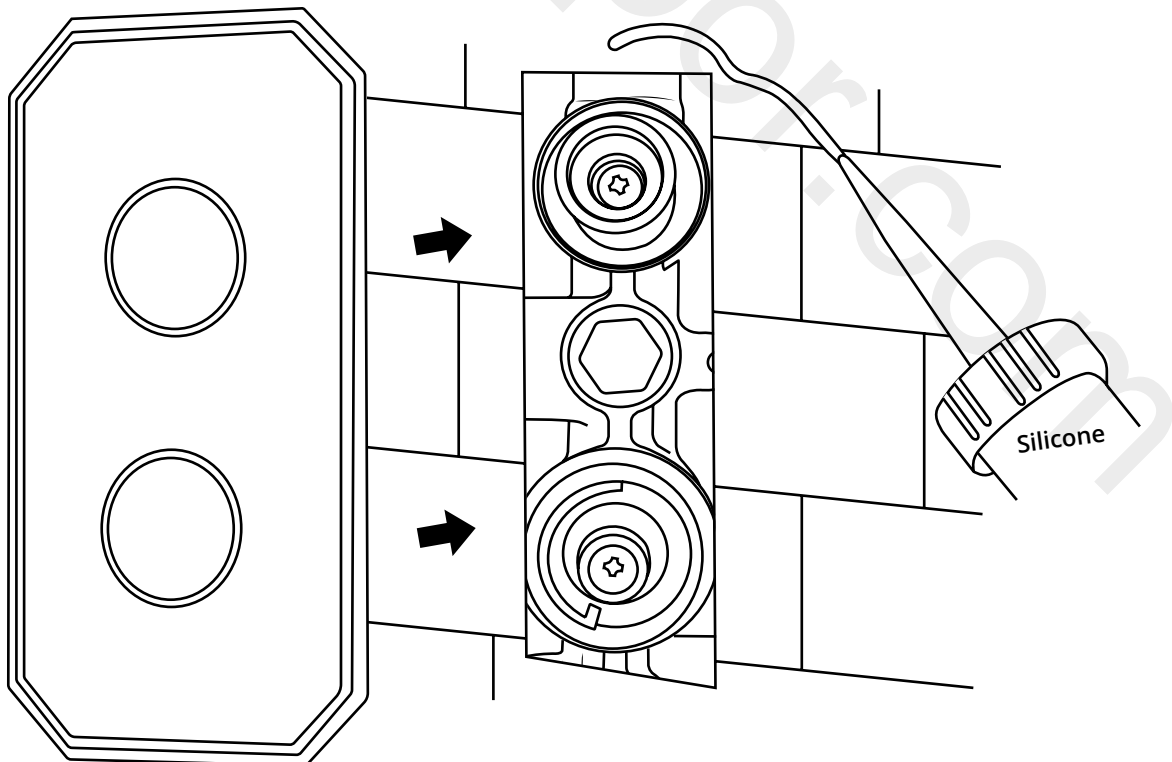
2



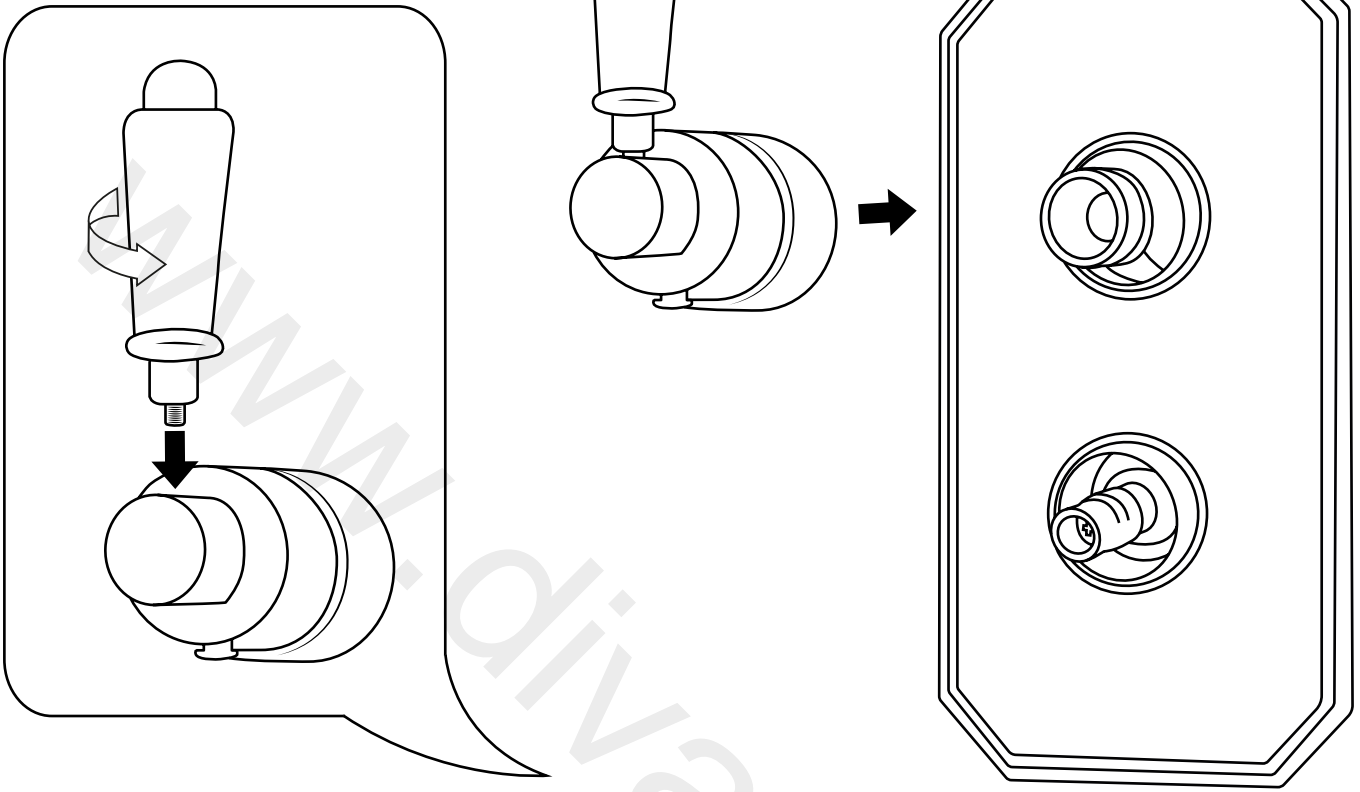
3



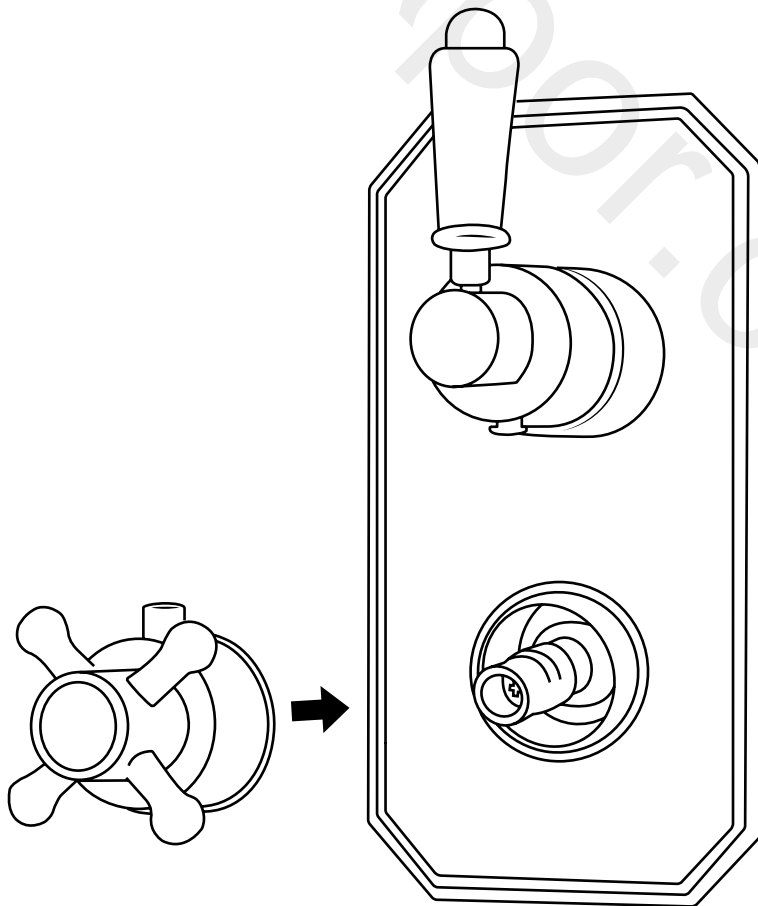
4



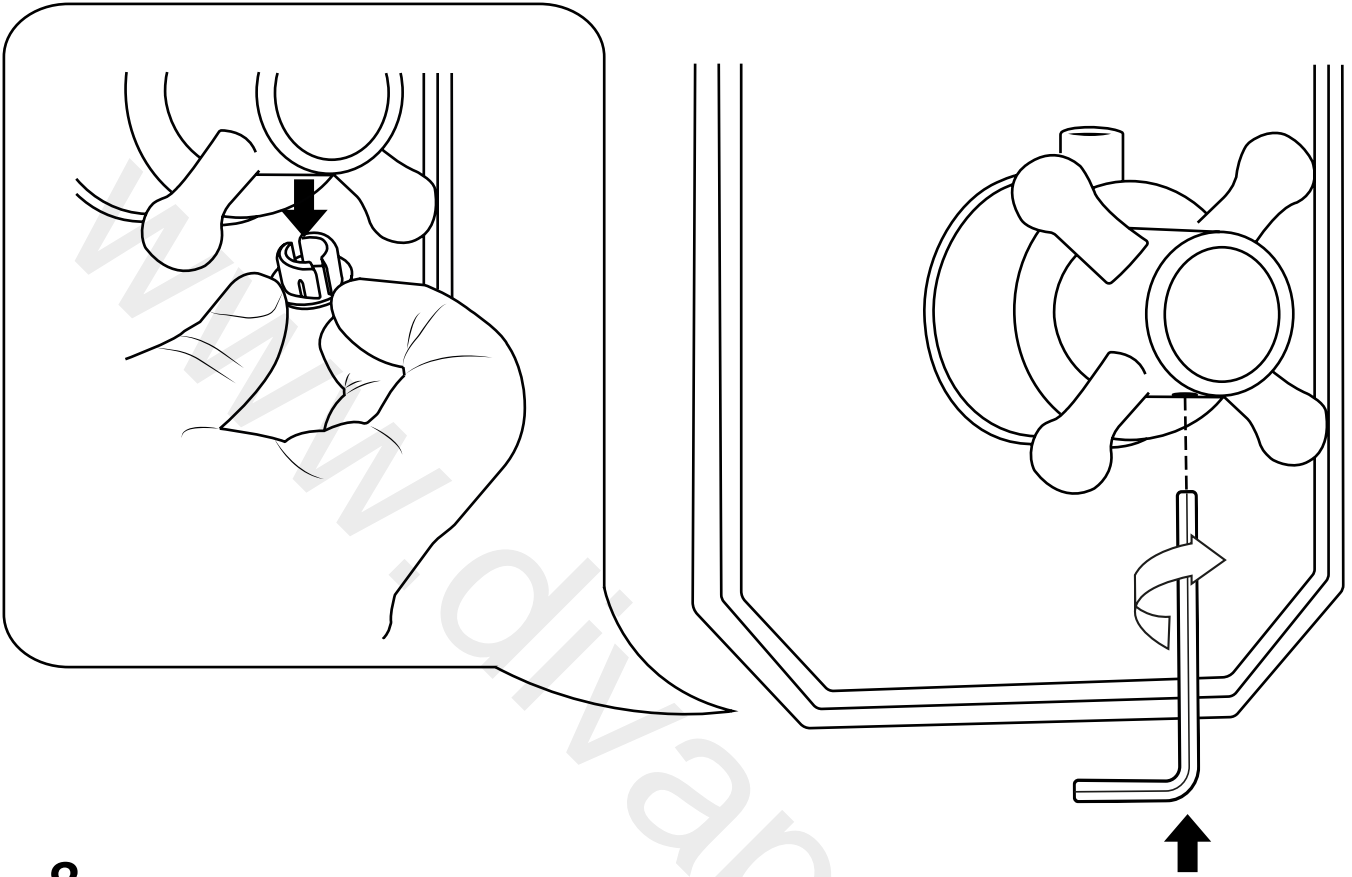
5



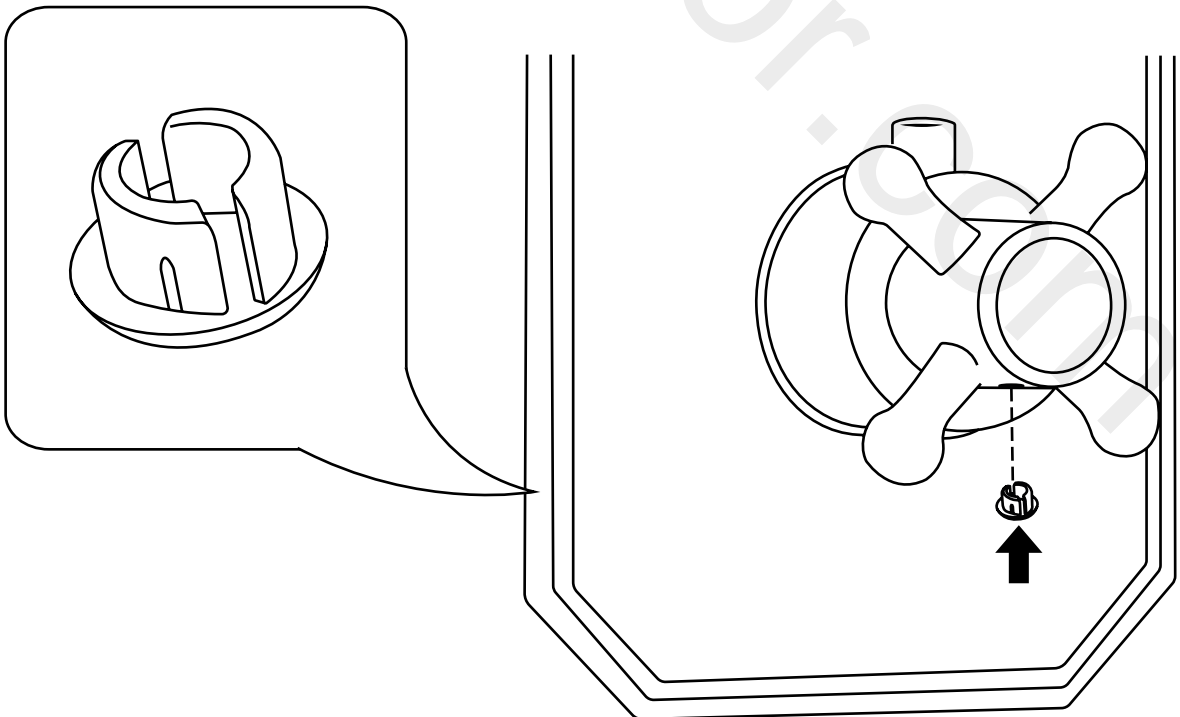
6

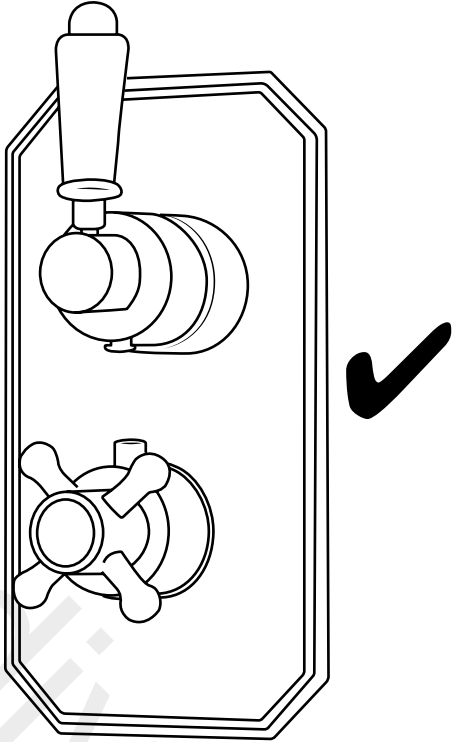


7



8





Installation Example

