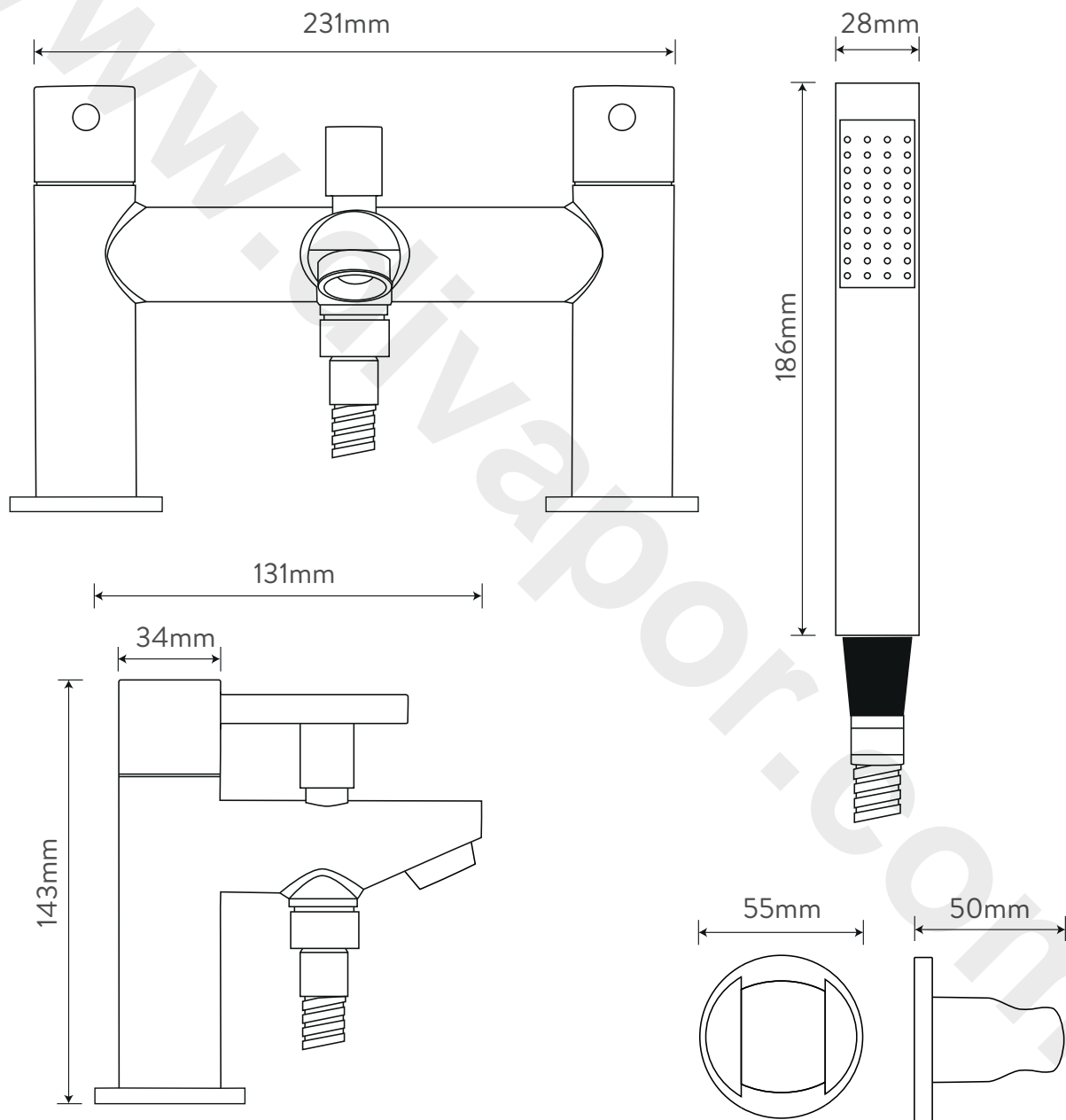


AQUALISA UPTOWN

BATH SHOWER MIXER TAP

CB.BSMT.20

DIMENSIONAL DRAWINGS



AQUALISA

UPTOWN

CB.BSMT.20

BATH SHOWER MIXER TAP

TECHNICAL SPECIFICATIONS

Minimum pressure requirements	0.2 bar
Maximum pressure requirements	5 bar
Inlet fitting connections	2 x 3/4" BSP
Rear inlet supply positions	Hot/left, cold/right (as viewed from the front)
Tap Holes	2 holes
Handle Type	Lever, dual control
Hose Connection	1/2" BSP
Mounting Type	Deck mounted with brass wall mounted handset holder
Water system	Suitable for both low and high pressure systems
Features	Brass body with zinc handles
	Soft rub shower head nozzles for easy cleaning
	Supplied with slim, single mode handshower
	1.25m chrome plated stainless steel hose
	Diverter which changes water flow from tap to shower handset
Colour	Chrome
Guarantee Period	5 years (if the product is registered)