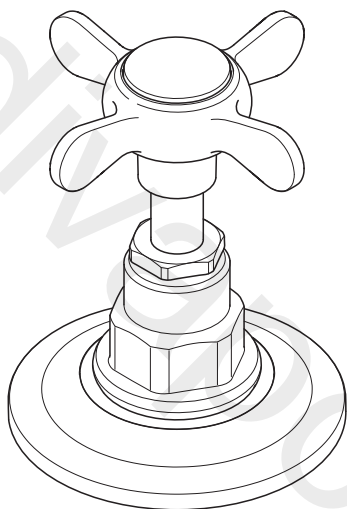
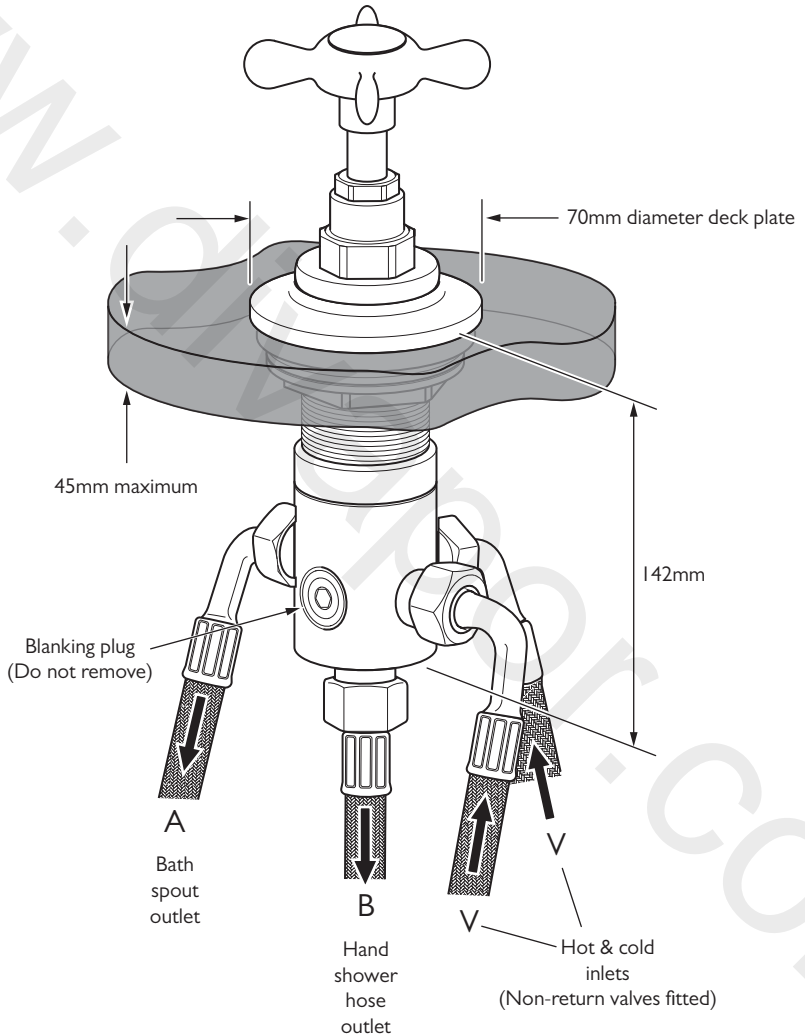


I650
TWO WAY DECK MOUNTED DIVERTER
INSTALLATION GUIDE



LEFROY BROOKS

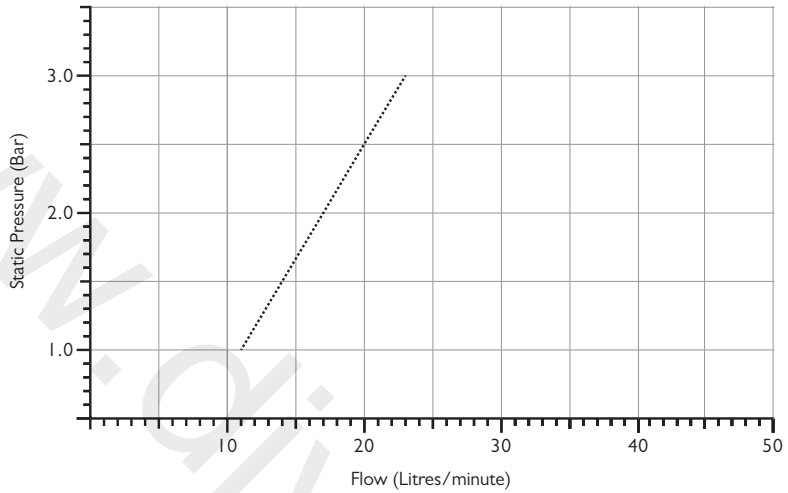
DIMENSIONS, INLETS AND OUTLETS



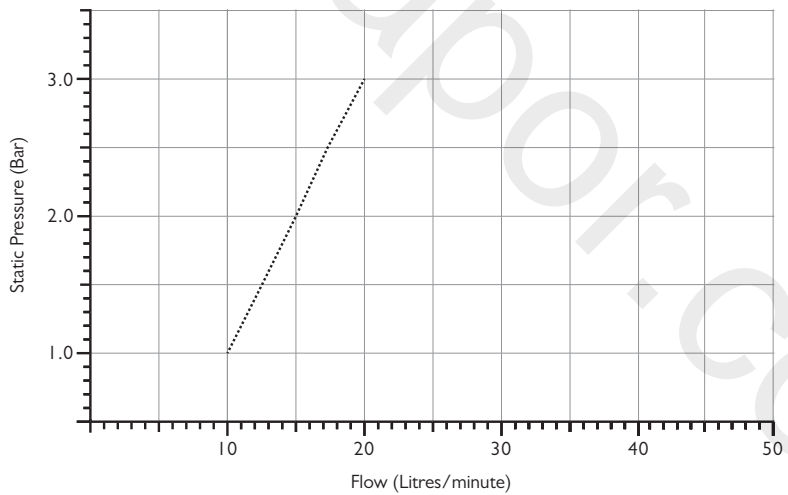
Not to scale

TYPICAL FLOW RATES

Outlet A – Bath spout only



Outlet B – Hand shower only



Note: Balanced pressures shown are applied directly to the hot and cold inlets; flow rates indicated are free flowing and may vary subject to restrictions created by installation, pipework, layout or application. The outlets had no connections during the test

IMPORTANT INFORMATION

Professional installation

We recommend that our products are fitted by a fully qualified professional plumber. They should be installed correctly and in accordance with all local water regulations and the system protected by non-return valves (not supplied). All products should be accessible for routine servicing.

Suits all systems

This Lefroy Brooks product is potentially suitable for every possible application, type of boiler and water supply pressure. However, if your supply pressure is below 1 bar it is advisable to fit a water pump. For systems with combination boilers, it is not advisable to fit pumps (refer to boiler manufacturer).

Supply connections

The hot and cold water supplies should be connected using the ½" braided hoses supplied.

Note: if using a mixed supply, one inlet can be blanked off using a ½" BSP blanking cap (not supplied).

Inlets and outlets

Side inlets 'V' – hot & cold inlets
Side outlet 'A' – bath spout / filler
Bottom outlet 'B' – hand shower hose

Note: the hot and cold supplies should be protected by non-return valves (supplied) to avoid any damage which could be caused by cross-flow.

Supply temperature safety notice

To comply with local building regulations, current legislation, relevant standards and codes of practice a thermostatic mixing valve (TMV) should be fitted (not supplied) to the hot supply. This will restrict the temperature to a safe working maximum temperature. Maximum allowed temperatures vary subject to type of installation or specification of building.

Balancing flow

If there is a significant difference in water pressures between hot & cold supplies, we recommend an in-line flow suppressor/regulator (not supplied) be fitted. This should be fitted to whichever has the greater flow rate, in an accessible position close to the valve. We recommend fitting the flow suppressor/regulator at the diverter to avoid excess pressure in the flexible hoses.

Water quality

In hard water areas, a suitable water treatment system should be provided to prevent limescale deposits (calcium deposits) which may effect the long term performance of the cartridge. Exterior surfaces should be gently wiped with a dry soft cloth after use to minimise water stains and limescale deposits.

Flushing system

It is most important to flush out all pipework thoroughly before connecting the product. Failure to do so is the single most common cause of cartridge failure.

Servicing

All serviceable parts are available to maintain your Lefroy Brooks product.

Although the diverter has been designed to enable servicing from the top, suitable access should be available to enable any future maintenance.

Restrictions for use

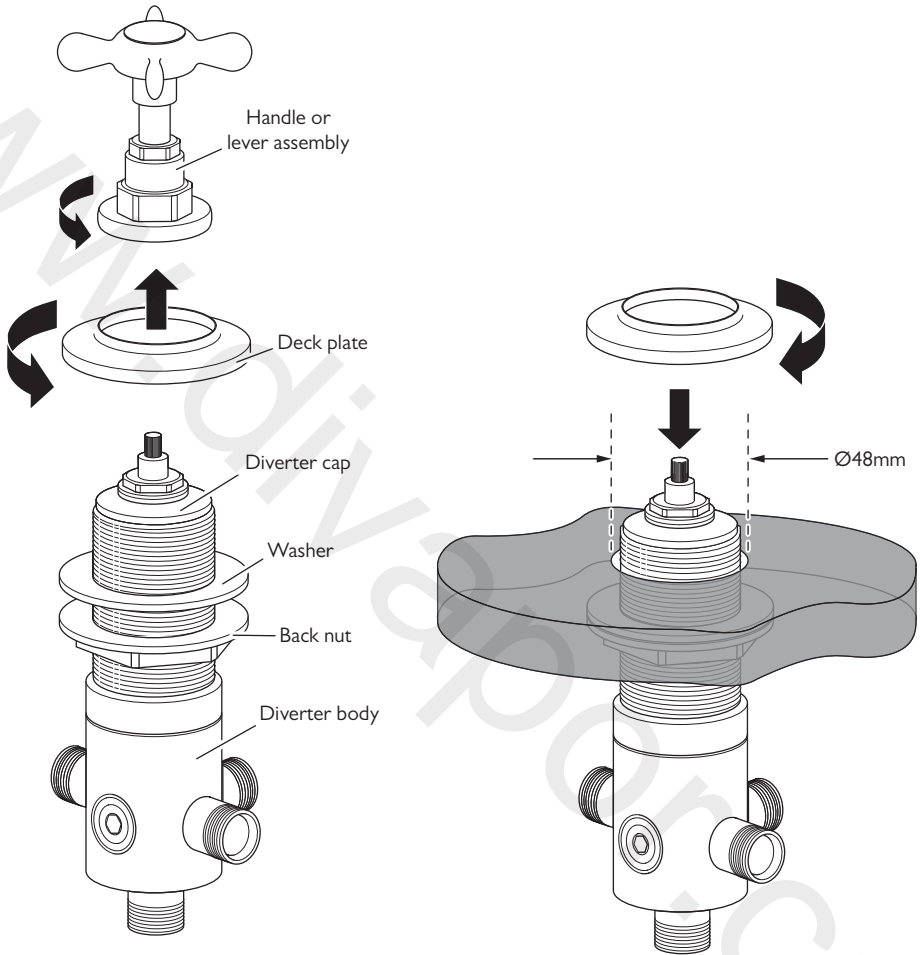
This Lefroy Brooks product is a diverter valve and will only divert the water supply, from one application to another.

It will not:

- Control temperature.
- Control water flow rate.
- Isolate the water supply.
- Operate two applications simultaneously.

INSTALLATION

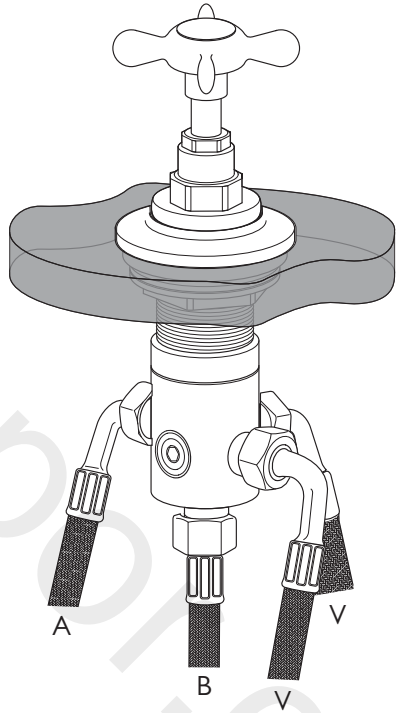
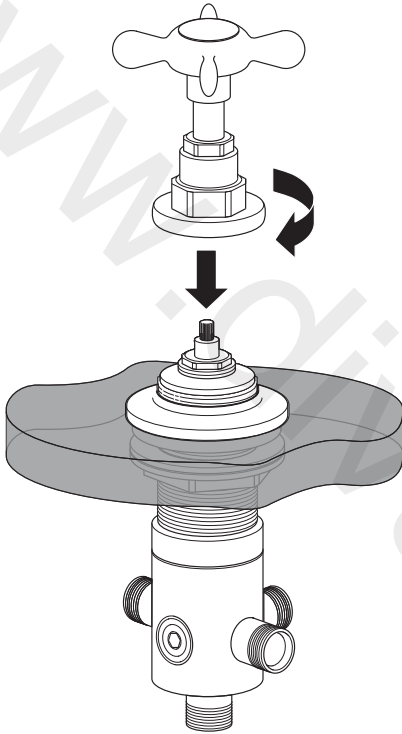
Shown with cross handle. The same procedure applies to lever models.



1 Unscrew the handle or lever assembly and remove fully. Unscrew the deck plate and remove fully.

2 Push the diverter body carefully through the 48mm diameter hole in the bath rim/ mounting surface and fit the deck plate. It may be necessary to adjust the back nut to allow the thread to protrude sufficiently through the hole. Please note that the deck plate must be screwed on fully until it stops against the shoulder at the end of the thread.

Shown with cross handle. The same procedure applies to lever models.



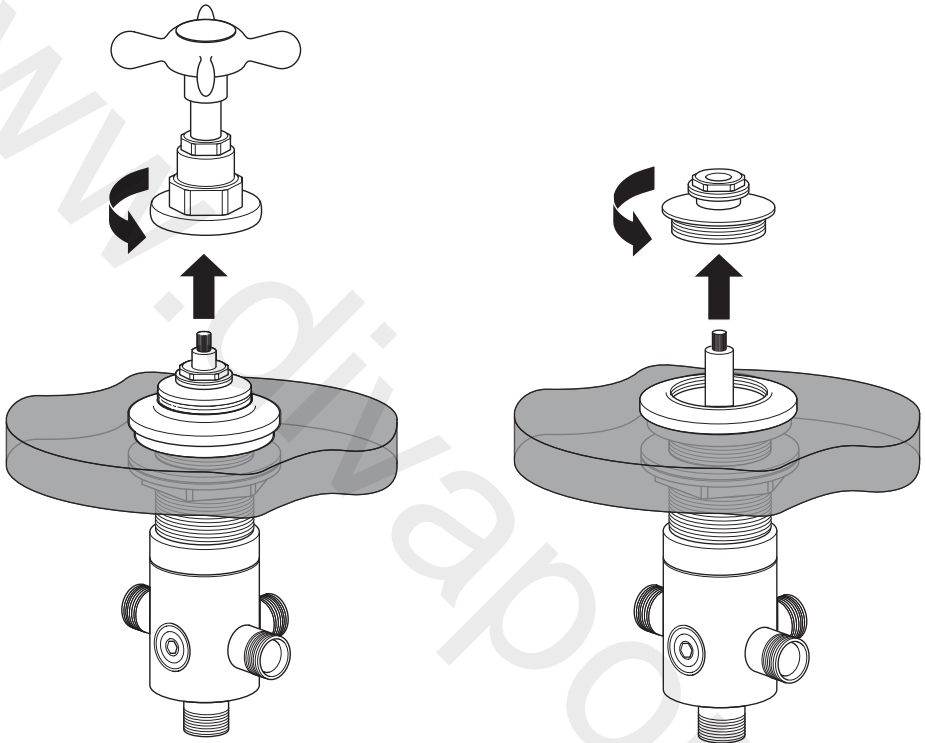
3 Ensure the diverter is correctly positioned allowing access to the hose connections. Fully tighten the back nut to secure the diverter in place. Locate the handle or lever assembly on to the splines, taking care to align the handle or lever before fully screwing assembly cover to secure.

4 Connect hoses to the inlets and outlets as identified V, A and B.

- V – Hot and cold water inlets
- A – Bath filler/spout outlet
- B – Hand shower hose outlet.

SERVICING – CARTRIDGE REPLACEMENT

Shown with cross handle. The same procedure applies to lever models.

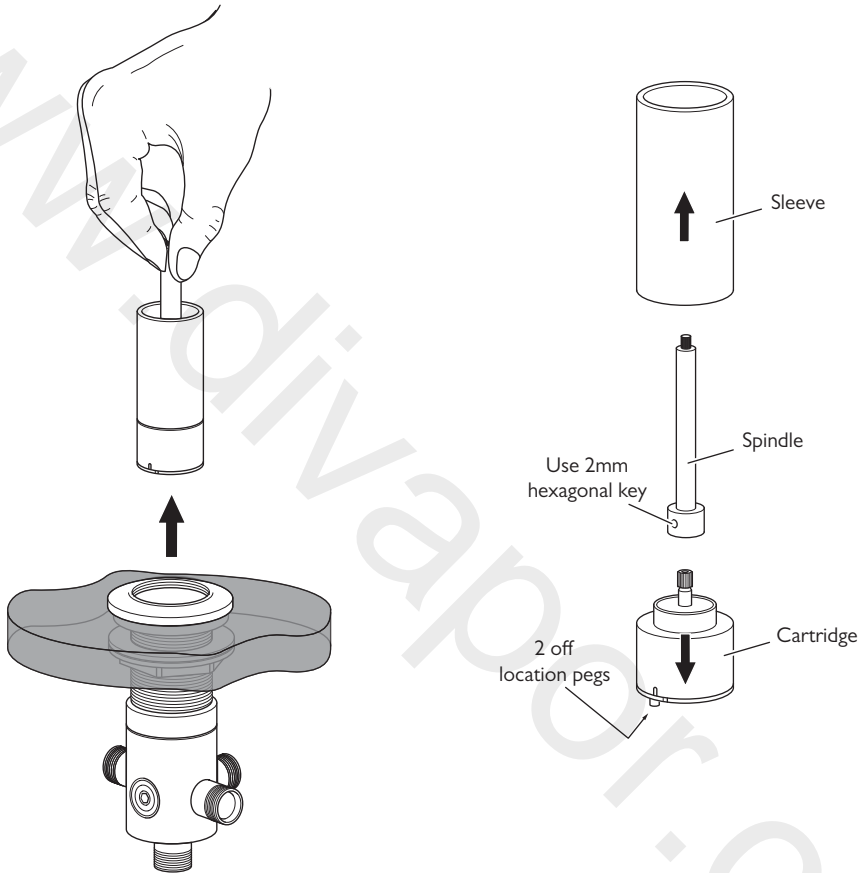


Before continuing please ensure that the water supplies have been isolated and drained where necessary.

- 1 Unscrew the cross handle/lever assembly cover and remove.

- 2 Using a 20mm spanner, unscrew the diverter cap and remove.

SERVICING – CARTRIDGE REPLACEMENT



- 3 Grip the spindle and pull out the diverter sleeve and cartridge assembly.
- 4 After removing the sleeve, release the cartridge by unscrewing the set screw using a 2mm hexagonal key.

- 5 Using a replacement cartridge, assemble in reverse order ensuring that the two location pegs in the base of the diverter cartridge are located into the holes in the body.

FAULT FINDING

Water flows from two applications at the same time when the water supply is turned on.

- Replace the cartridge in the diverter valve.

Continuous dripping from application after the water supply is isolated using flow valves.

- The problem is not with the diverter but with the flow valve cartridge(s) supplying the diverter.
-

REPLACEMENT PARTS

- PSP011 – Internal two way diverter cartridge.
- PSH040 – Flexible shower hose with hand shower mounting elbow.
- PBS019 – Pair of $\frac{3}{4}$ " x $\frac{1}{2}$ " braided hoses.
- PSH042 – Pair of 15mm non-return valves.
- PSH041 – Hand shower holster.



CONTRACT ENQUIRIES

+44 (0)1992 708 316

info@lefroybrooks.co.uk

CUSTOMER SERVICE, SPARES & TECHNICAL ENQUIRIES

+44 (0)1902 390 894

technical@lefroybrooks.co.uk

LEFROYBROOKS.CO.UK

Whilst every effort is made to ensure the accuracy of these, they are subject to change without notice as part of the company's product development process. The use of trademarks, product design and artwork is subject to licence or agreement with LBIP Ltd. The design registrations, trademark registrations and copyrights are protected by law and the use or reproduction outside the terms of an agreement is prohibited. The right to modify designs and dimensions is reserved. LBIP Ltd is a member of ACID (Anti Copying in Design). E&OE