

SPECIFICATION SHEET

COLLECTION: CHELSEA

PRODUCT CODE: CHE-152-C/P



DESCRIPTION:

mono sink mixer
single lever
deck mounted
with swivel spout
with pull out hand spray
with shower spray type head aerator
ceramic cartridge CAR-K40A
2 x 1/2" (nut) x 300mm flexipipe connections
deck mount drill hole diameter 38mm
minimum operating pressure 1.0 bar MP

FINISH:

Chrome

FLOW REGULATOR:

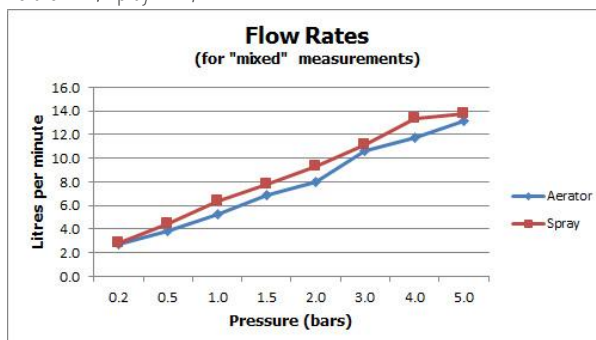
FR-FLEXI/5-PLA

MINIMUM OPERATING PRESSURE:

1.0 bar MP

FLOW RATE AT 3.0 BAR FLOW PRESSURE:

Aerator: 11, Spray: 11 l/min



15 year guarantee

tel: 01934 744466
email: sales@vado.com
www.vado.com

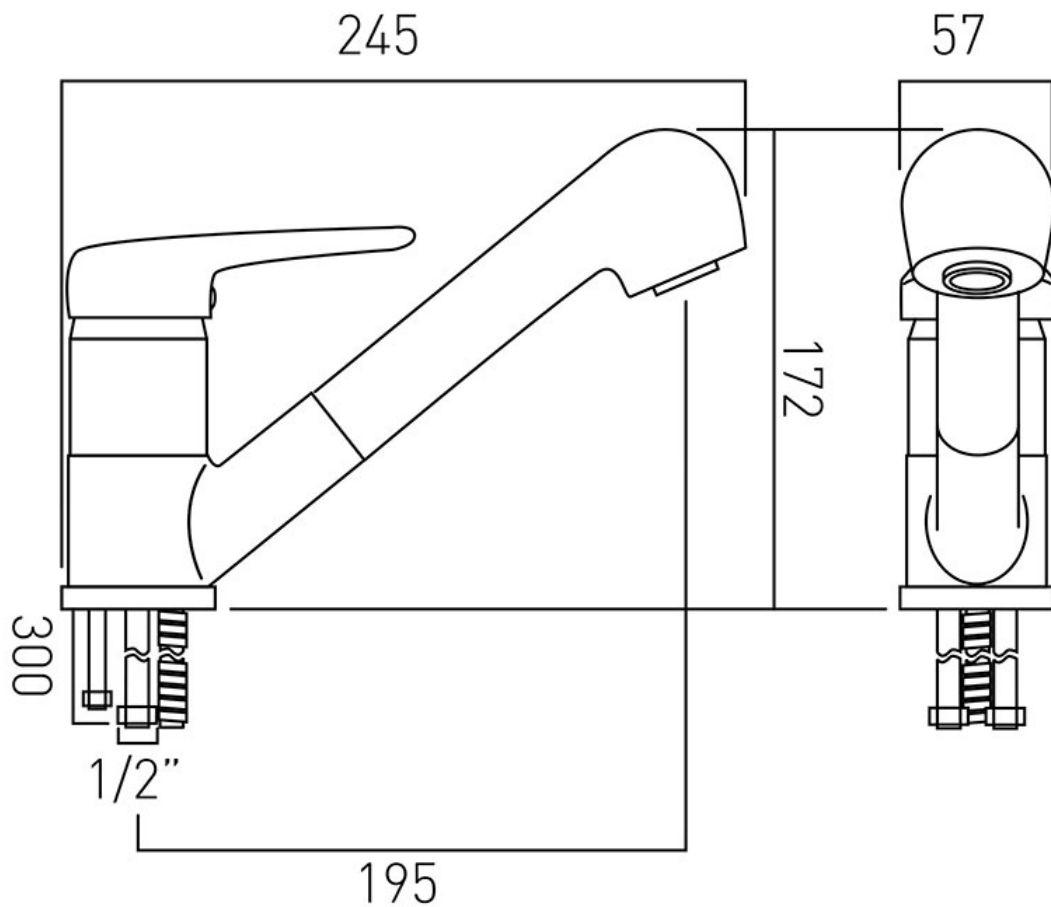
where inspiration flows
taps | showering | accessories



TECHNICAL DRAWING

COLLECTION: CHELSEA

PRODUCT CODE: CHE-152-C/P



tel: 01934 744466
email: sales@vado.com
www.vado.com

where inspiration flows
taps | showering | accessories

