

# CLR SHXDIVFF C

## CLARET Shower Range Claret Thermostatic Exposed Bar Valve with Rigid Riser and Integral Diverter to Handset Chrome



### Specification

Finish/Colour:	Chrome
Main Construction Material:	Brass
No of Controls:	1
Shower Type:	Exposed Bar
Shower Head Type:	Handset and Fixed Head
Valve/Cartridge Type:	Thermostatic
Maximum Hot Water Supply Temperature °C:	80
Maximum Static Pressure: (bar)	10
Plumbing System Suitability:	All - Ideally Balanced
Minimum Dynamic Pressure:	0.5 Bar
Maximum Dynamic Pressure:	5.0 bar
Connection Inlet:	15mm Compression
Connection Outlet:	G1/2"
Isolation Valve Included:	Yes
Check Valve Included:	Yes

### Features:

- 15mm inlet connections
- Thermostatic cartridge with preset temperature stop at 38°C, can be over-ridden to a maximum of 46°C
- Dual control - flow and temperature are controlled separately
- Automatic shut-off in the event of hot or cold water supply failure
- Supplied with a wall mount 12 fixing kit for easier first fit

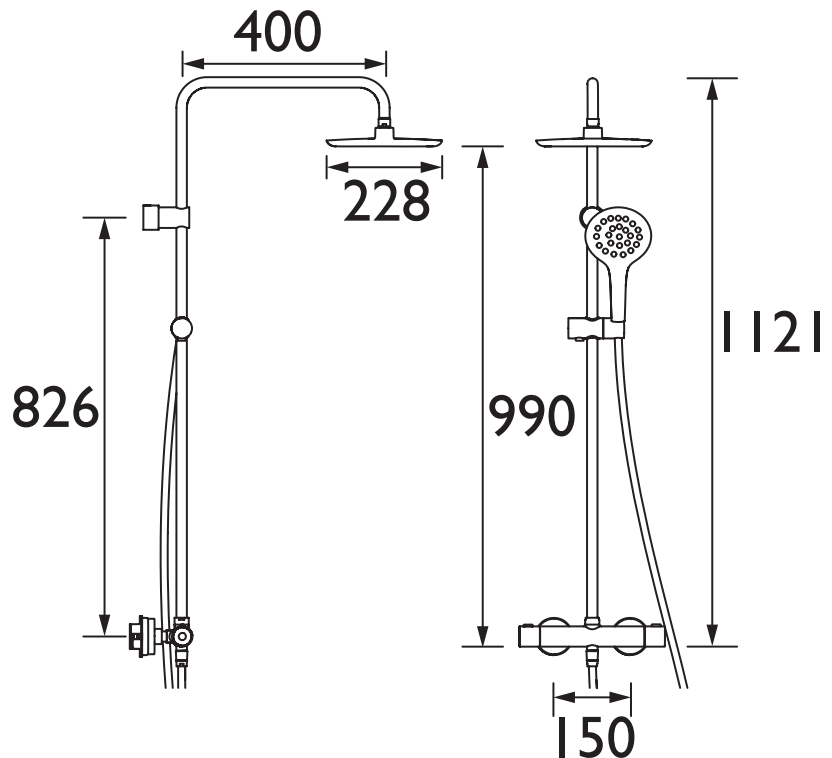
### Product Certifications:



For more products, visit our website:  
<http://www.bristan.com>



### Dimensions (measurements in mm)



### Flow Rates (l/min)

System Pressure (bar)	0.2	0.5	1	2	3	5
Through Handset (mixed)	1.7	3.3	5.0	7.2	9.0	11.6
Through Fixed Head (mixed)	2.9	5.6	8.5	12.4	15.2	19.6

TECHNICAL  
DATA  
SHEET



**BRISTAN**

D4