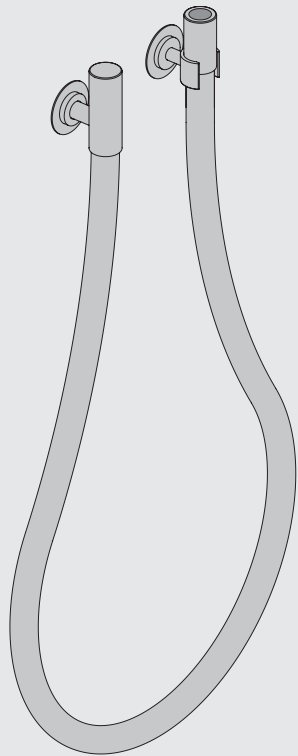


VOLA 070W

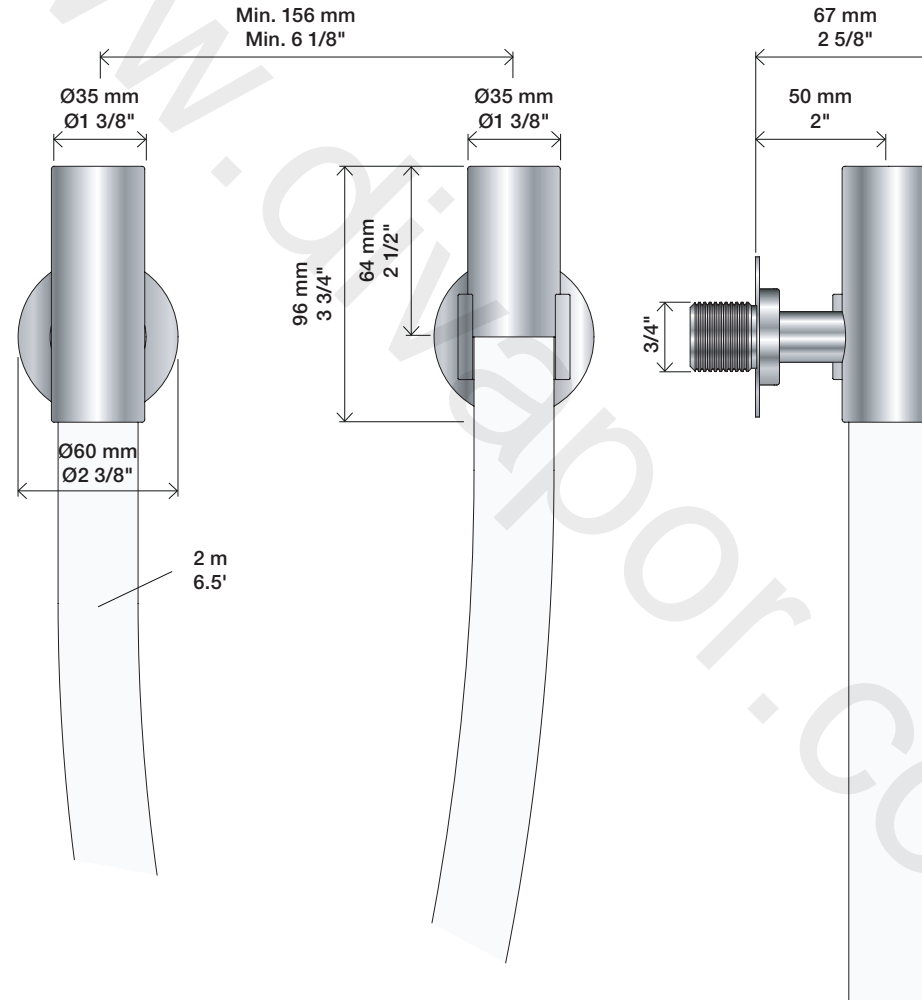
Fitting instruction
 Montageanleitung
 Monteringsvejledning
 Monteringsvægledning
 Montage hanleiding
 Manuel de montage



| Data | Bar Psi | 1 14.5 | 2 29.0 | 3 43.5 | 4 58.0 | 5 72.5 |
|------|------------------|-------------|-------------|------------|--------------|--------------|
| | l/min Gal/min | 23.1 6.1 | 32.7 8.6 | 40 10.6 | 46.2 12.2 | 51.6 13.6 |
| | Max. 65°C. 150°F | | | | | |



Min. flow: 20 l/min - 5.3 Gal/min.

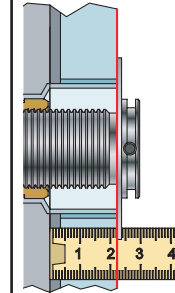


Extension
Verlängerung

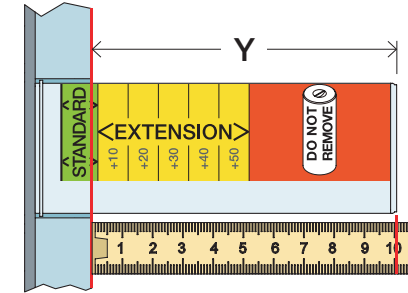
Förlängerdele
Förlängning

Verlengstukken
Modification

T Min. 3 mm
Max. 65 mm

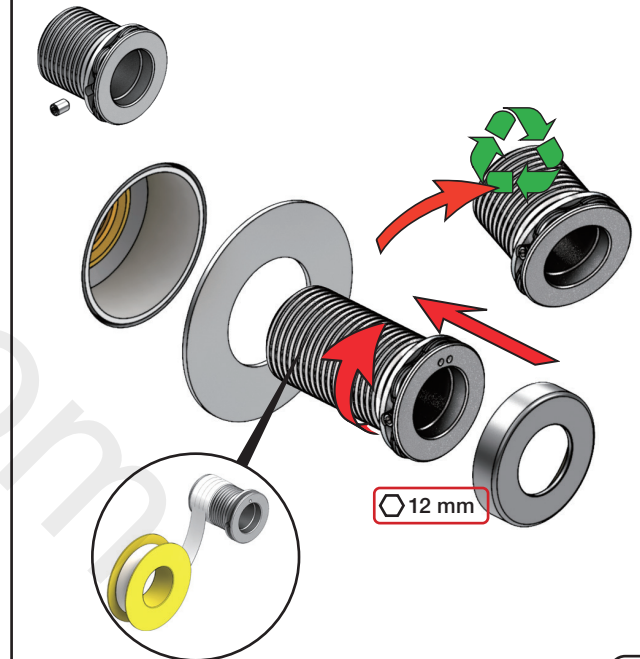


Y Min. 48 mm
Max. 110 mm



| T | Y | VR2019 |
|------------|-------------|--------|
| 3 - 15 mm | 110 - 98 mm | Std. |
| 15 - 25 mm | 98 - 88 mm | +10 |
| 25 - 35 mm | 88 - 78 mm | +20 |
| 35 - 45 mm | 78 - 68 mm | +30 |
| 45 - 55 mm | 68 - 58 mm | +40 |
| 55 - 65 mm | 58 - 48 mm | +50 |

VR2019+

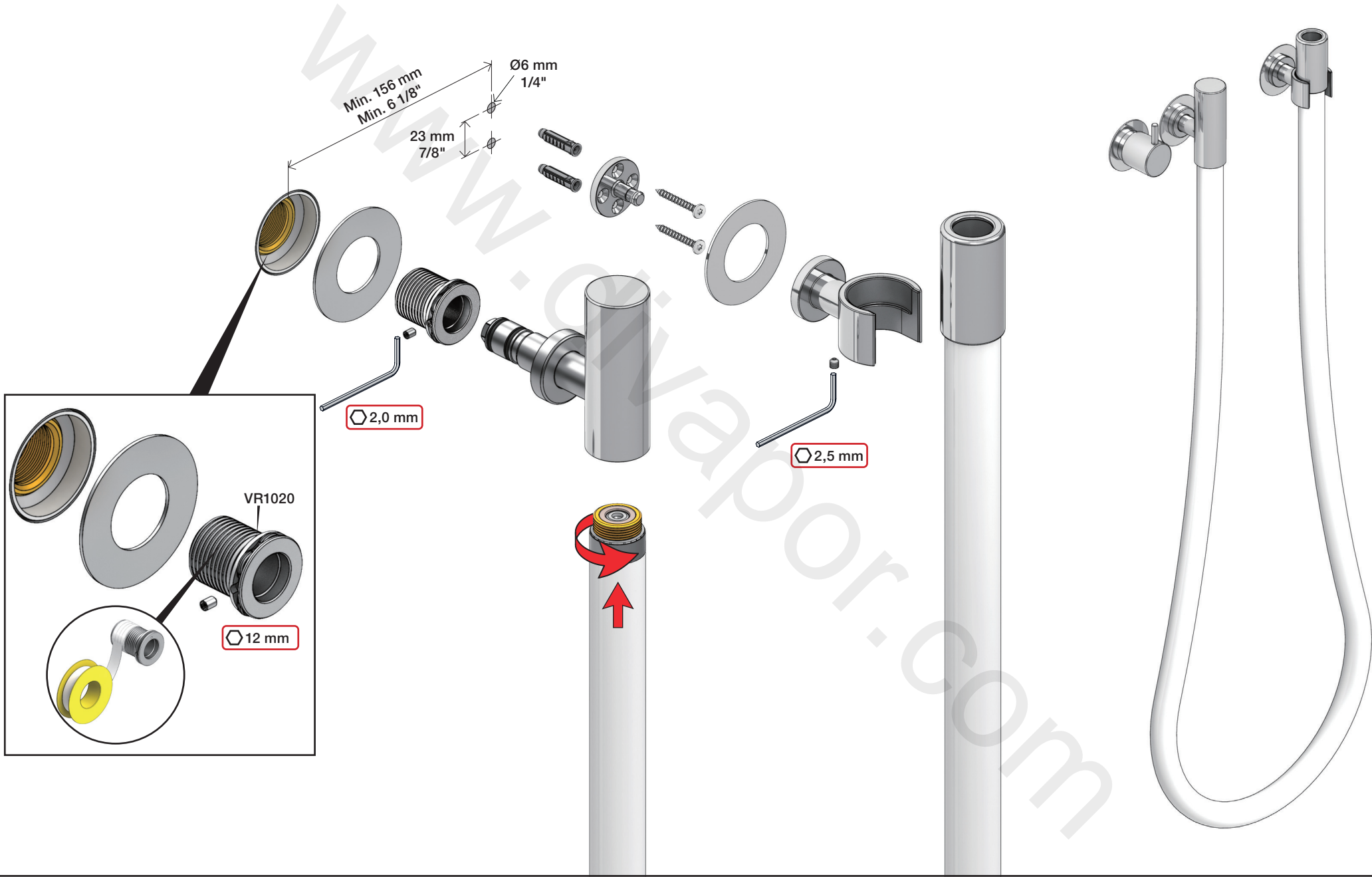


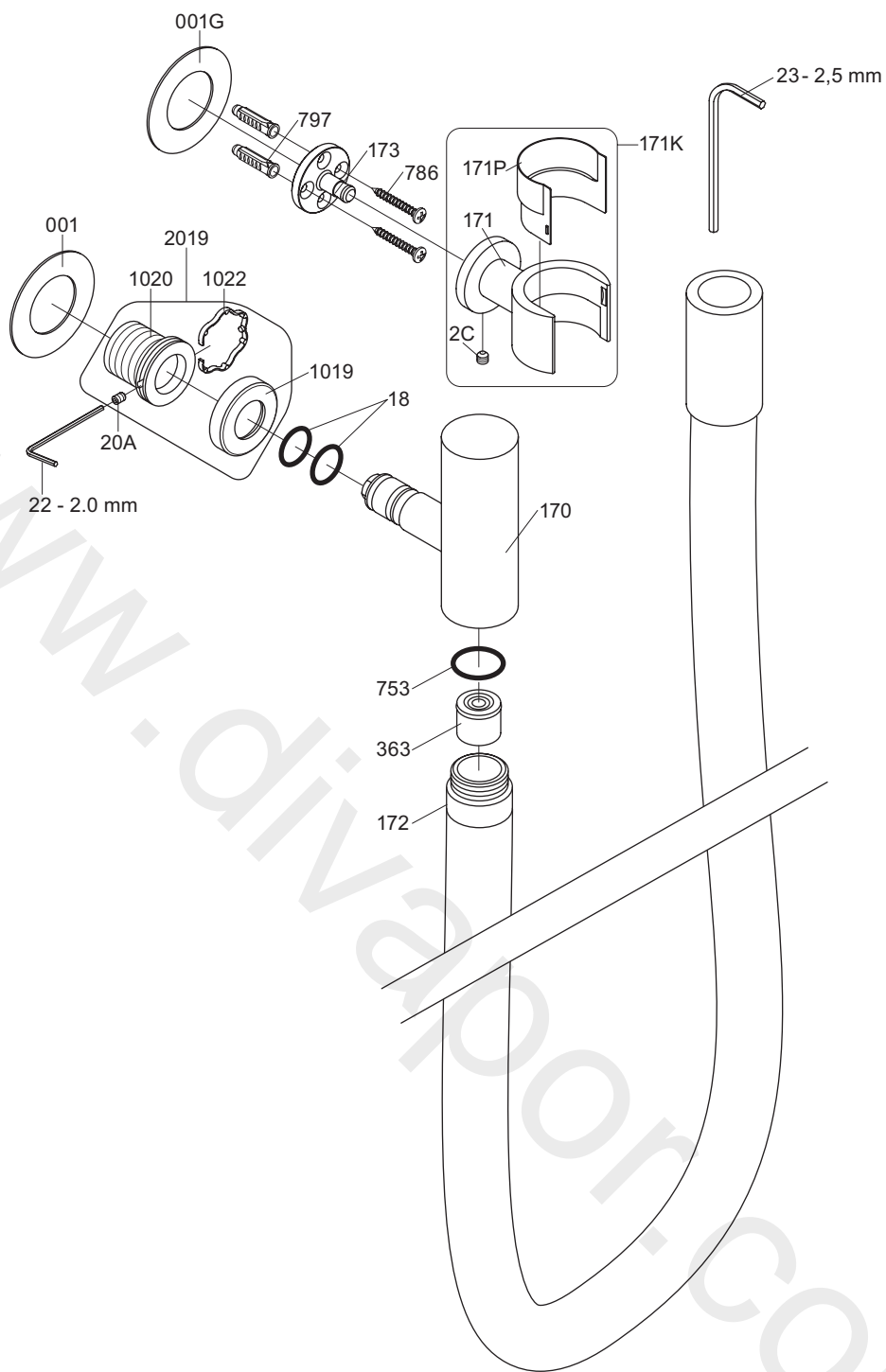
www.vola.com

070W_V1_40998356
 01-03-2023



vola





VR171K: VR20C, VR171, VR171P
 VR1020K: VR20A, VR22, VR1020, VR1022
 VR2019: VR20A, VR22, VR1019, VR1020, VR1022



vola
 Lunavej 2
 DK-8700 Horsens
 Tlf : + 45 7023 5500
 sales@vola.com
 www.vola.com

VOLA 070W

Date
 Apr. 21

Rev.
 1

Sheet
 SB 16.3