

SPECIFICATION SHEET

COLLECTION: ION

PRODUCT CODE: CUC-1006-C/P



DESCRIPTION:

Ion
mono kitchen mixer
single lever
deck mounted
with swivel spout
ceramic cartridge C-005-N25
minimum operating pressure 1.0 bar MP

FINISH:

Chrome

FLOW REGULATOR:

FR-100/5-PLA

MINIMUM OPERATING PRESSURE:

1.0 bar MP

FLOW RATE AT 3.0 BAR FLOW PRESSURE:

10 l/min



tel: 01934 744466
email: sales@vado.com
www.vado.com

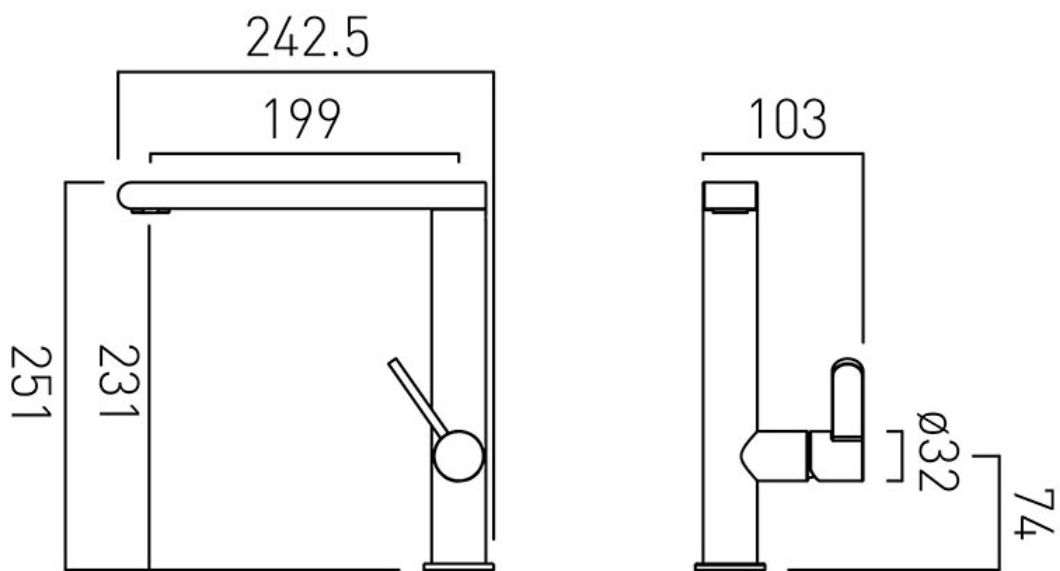
where inspiration flows
taps | showering | accessories



TECHNICAL DRAWING

COLLECTION: ION

PRODUCT CODE: CUC-1006-C/P



tel: 01934 744466
email: sales@vado.com
www.vado.com

where inspiration flows
taps | showering | accessories

