

SPECIFICATION SHEET

COLLECTION:

PRODUCT CODE: CUC-1007-C/P



DESCRIPTION:

Camber
mono kitchen mixer
single lever
deck mounted
with swivel spout
ceramic cartridge CAR-K35B
minimum operating pressure 1.0 bar MP

FINISH:

Chrome

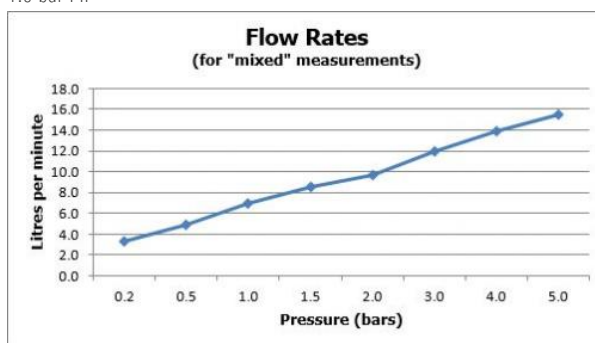
FLOW REGULATOR:

FR-FLEXI/5-PLA

MINIMUM OPERATING PRESSURE:

1.0 bar MP

15 year guarantee



tel: 01934 744466
email: sales@vado.com
www.vado.com

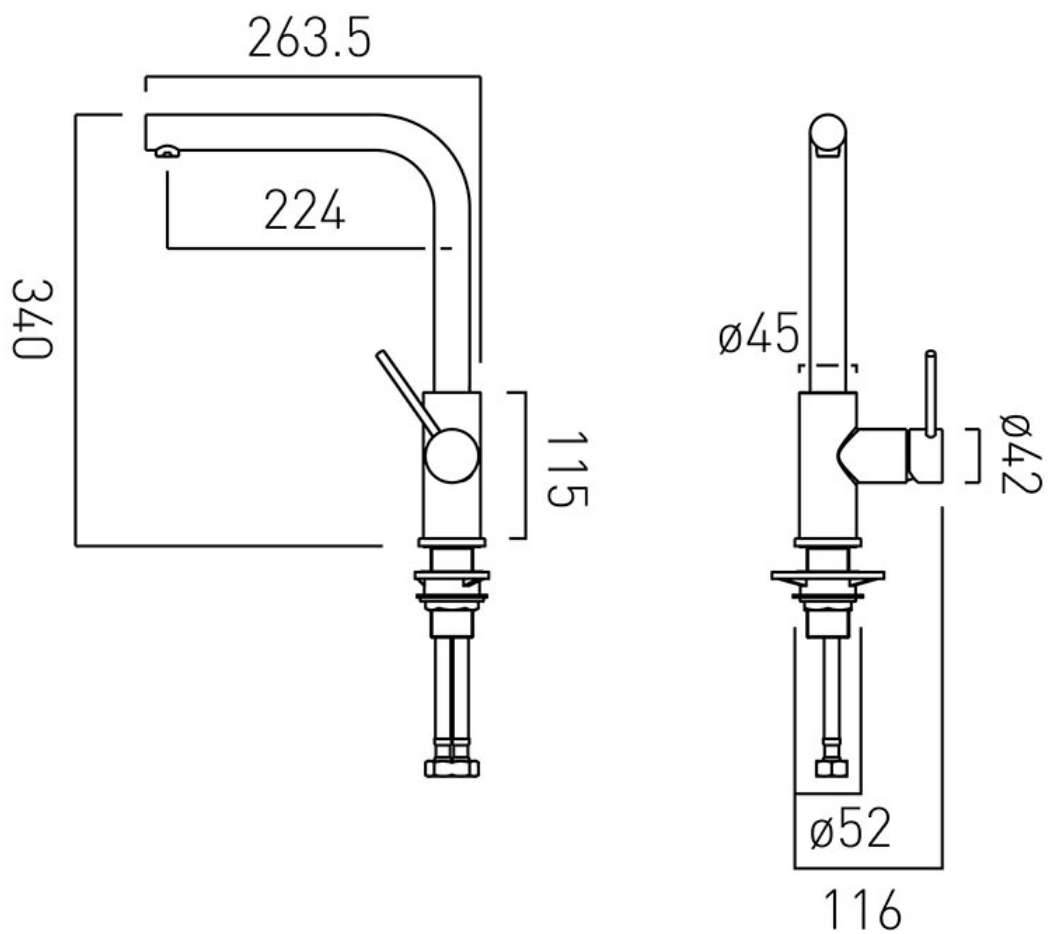
where inspiration flows
taps | showering | accessories



TECHNICAL DRAWING

COLLECTION:

PRODUCT CODE: CUC-1007-C/P



tel: 01934 744466
email: sales@vado.com
www.vado.com

where inspiration flows
taps | showering | accessories

