

# SPECIFICATION SHEET

**COLLECTION:** VIBE PROFESSIONAL

**PRODUCT CODE:** CUC-1061-C/P



## DESCRIPTION:

Vibe Professional  
mono kitchen mixer  
deck mounted  
with swivel spout  
with two function pull-out spout  
cold ceramic cartridge C-502-RTC  
hot ceramic cartridge C-502-LTC  
deck mount drill hole diameter 35mm  
minimum operating pressure 1.0 bar MP

## FINISH:

Chrome

## FLOW REGULATOR:

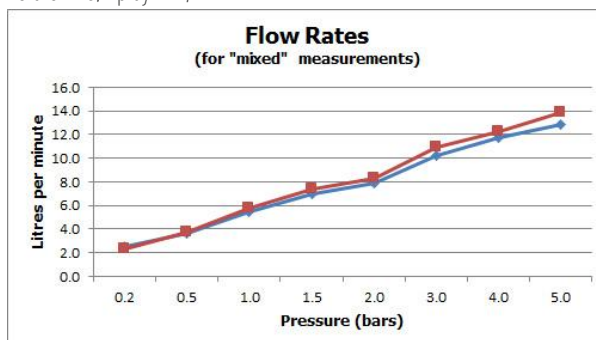
FR-100/5-PLA

## MINIMUM OPERATING PRESSURE:

1.0 bar MP

## FLOW RATE AT 3.0 BAR FLOW PRESSURE:

Aerator: 10, Spray:11 l/min



tel: 01934 744466  
email: sales@vado.com  
www.vado.com

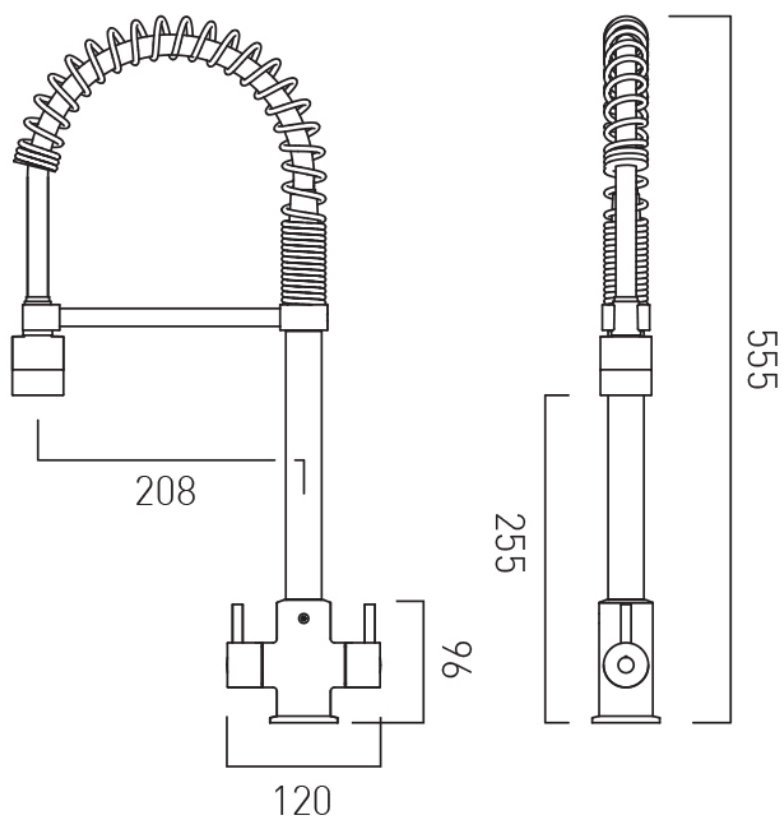
**where inspiration flows**  
taps | showering | accessories



# TECHNICAL DRAWING

**COLLECTION:** VIBE PROFESSIONAL

**PRODUCT CODE:** CUC-1061-C/P



tel: 01934 744466  
email: sales@vado.com  
www.vado.com

**where inspiration flows**  
taps | showering | accessories

