

SPECIFICATION SHEET

COLLECTION:

PRODUCT CODE: CUC-1062-S/S



DESCRIPTION:

Spirit
mono kitchen mixer
deck mounted
with swivel spout
cold ceramic cartridge C-207-RTC
hot ceramic cartridge C-207-LTC
minimum operating pressure 0.5 bar LP

FINISH:

Stainless Steel

FLOW REGULATOR:

FR-100/5-PLA

MINIMUM OPERATING PRESSURE:

0.5 bar LP



tel: 01934 744466
email: sales@vado.com
www.vado.com

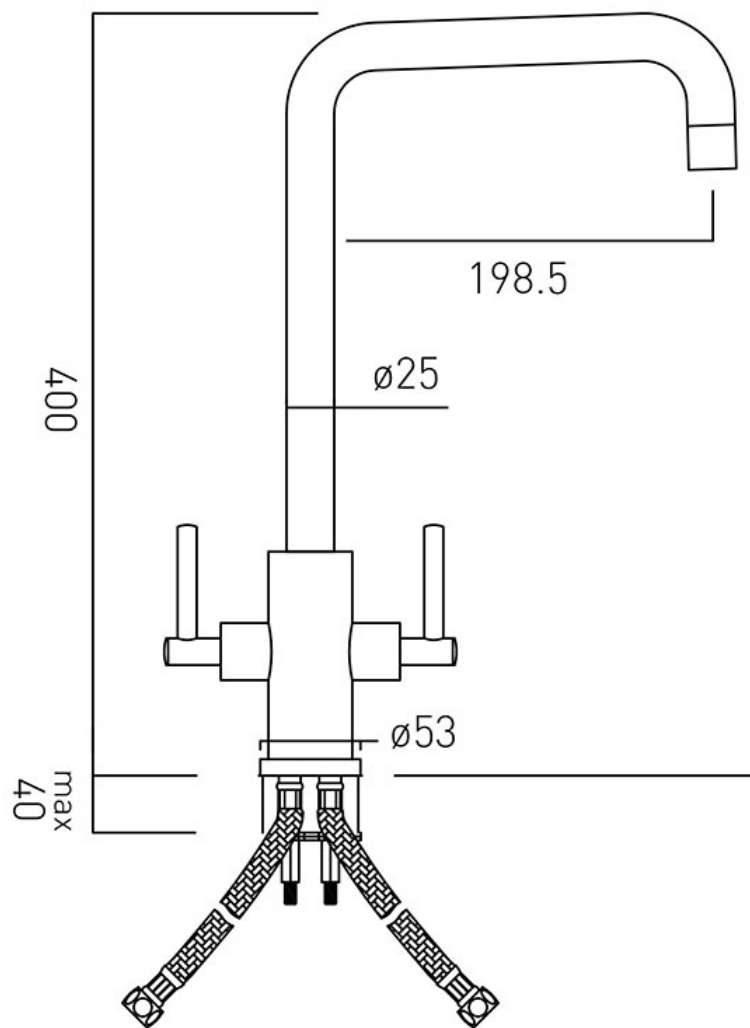
where inspiration flows
taps | showering | accessories



TECHNICAL DRAWING

COLLECTION:

PRODUCT CODE: CUC-1062-S/S



tel: 01934 744466
email: sales@vado.com
www.vado.com

where inspiration flows
taps | showering | accessories

