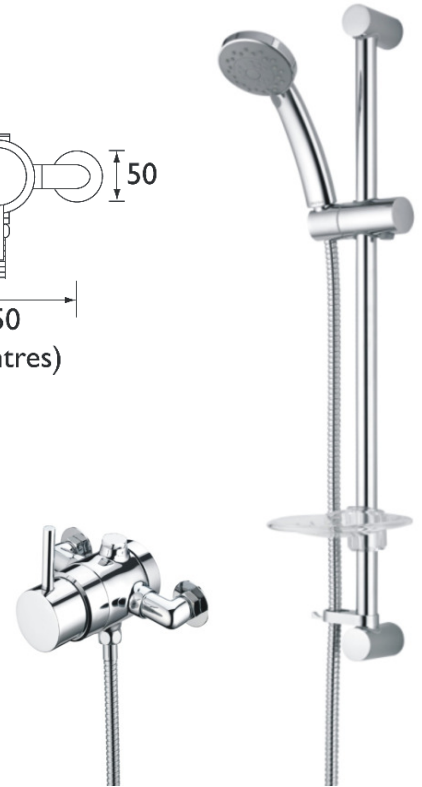
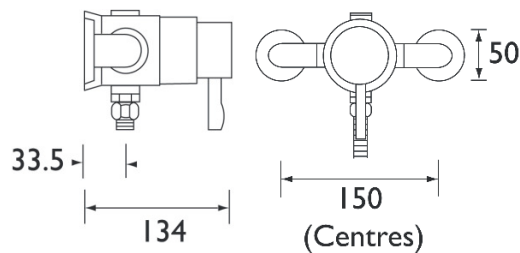


## TECHNICAL DATA SHEET

### ZEUS ZEUS THERMOSTATIC SINGLE CONTROL SURFACE MOUNTED SHOWER VALVE

#### Product Specification

<b>Product Code:</b>	D01191
<b>Finish:</b>	Chrome
<b>Product Type:</b>	Contemporary
<b>Construction:</b>	Body is of brass construction
<b>Cartridge Type:</b>	Thermostatic cartridge
<b>Supply:</b>	Suitable for all plumbing systems, preferably balanced
<b>Inlet Connections:</b>	15mm compression elbows
<b>Outlet Connection:</b>	G ½"
<b>Water Pressure:</b>	Min 0.2bar, Max. 5.0bar
<b>Dimensions for Fitting:</b>	150mm inlet centres



#### Additional Information

- Single control – flow and temperature are controlled together with the sequential thermostatic cartridge.
- Thermostatic cartridge maintains showering temperature to +/- 1°C by compensating for changes in the incoming water temperature and pressure giving the stable outlet temperature.
- Automatic shut off in the event of hot or cold water supply failure, thus reducing the risk of scalding.
- Factory set to a maximum of 43°C to eliminate the ability to select an unsafe temperature – this is adjustable to suit user preference.
- Swivel inlet elbows with 150mm centres, valve can be fed from top, bottom or rear.
- Concealing plate kit available separately – KIT UNI OVL3 C.
- Shower supplied with adjustable riser kit, consisting of: Rub Clean Handset, Soap Dish, Slider Bracket, Wall Brackets & Fixings, Hose Retainer
- Chrome plated to BSN 248

**Technical Advice:** For further information please call 0844 811 7658 or visit [www.wolseley.co.uk](http://www.wolseley.co.uk)  
**Guarantee:** 5 years covering manufacturing faults.

#### Flow Rates (litres per minute, open outlet)

System Pressure	0.2bar	0.6bar	1bar	2bar	3bar	5bar
D01191	12.0	22.0	29.0	40.5	50.0	64.0

Wolseley UK Ltd  
Warwickshire  
CV31 3HH  
[www.wolseley.co.uk](http://www.wolseley.co.uk)



D2