

nabis thermostatic bar valve fast-fixing kit and set

Product code – D01197

This nabis thermostatic bar valve is designed to be suitable for all plumbing systems and includes safe touch technology to ensure the bar valve stays cool to the touch while in use.

nabis



Features

- Supplied with fast fixing kit – the simplest solution for installing, maintaining and replacing bar valve showers
- Thermostatic cartridge with pre-set temperature stop at 38°C can be over-ridden to a maximum of 43°C
- Safe touch technology ensures the valves stay cool to the touch while in use
- Dual control – flow and temperature are controlled separately
- 15mm inlet connections
- Complies with BS EN 1111, BS EN 1287 and BS EN 248
- TMV2 approved

Specifications

Item	Description
Product type	Bar shower
Main construction material	Brass
Connection inlet	15mm compression
Connection outlet	G1/2"
Number of controls	2
Flow control valve type	3/4" ceramic disc valve - 1/4 turn
Plumbing system	Suitable for all plumbing systems
Minimum dynamic pressure (bar)	0.2
Maximum dynamic pressure (bar)	5
Maximum static pressure (bar)	10
Maximum hot water temperature (°C)	65
Pre-set outlet temperature	38
Isolation included	No
Check valve supplied	Yes



Plumbing

Heating

Cooling

Drainage

Pipe

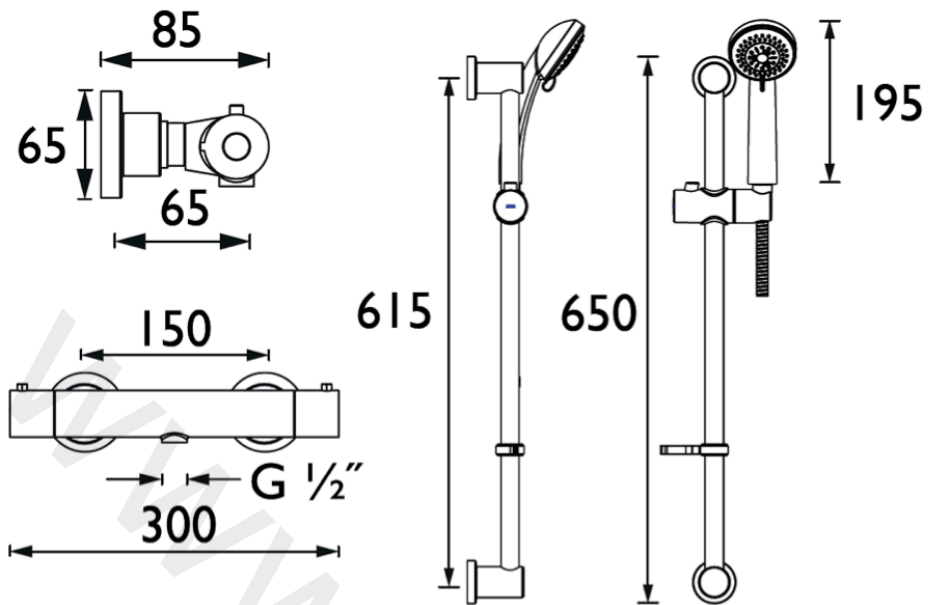
Parts

WOLSELEY



The Specialist Merchant

Dimensions



Flow rates

System pressure (bar)	Flow rate (l/min)
0.2	4.7
0.5	8
1	11.5
2	15.5
3	18.9
5	24.6

The information contained on this page was correct at date of issue. Fitting dimensions are provided as a guide only. Some variation may occur due to manufacturing tolerances. We pursue a policy of continuing improvement in design and performance of products and so reserve the right to change specifications without prior notice.

Version number 1.0



Plumbing

Heating

Cooling

Drainage

Pipe

Parts