

DB180 / DB185

# DOLPHIN COUNTER MOUNTED TAP

INSTALLATION AND MAINTENANCE GUIDE



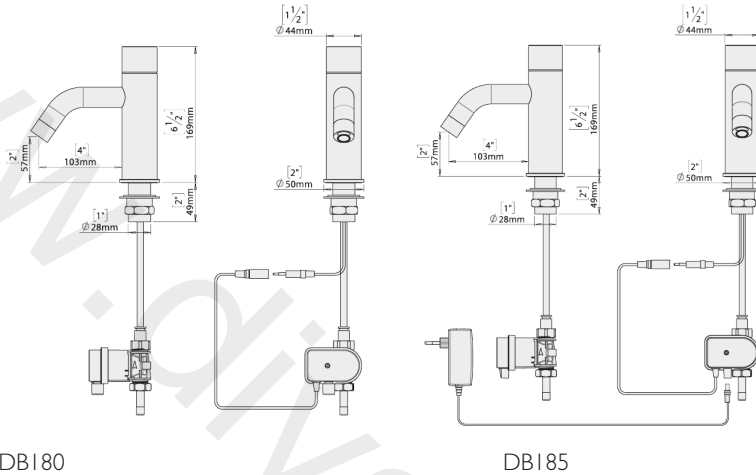
May 2020

# INDEX

3	Technical Data
4	Pack Contents
5	Pre-Installation Information
6-7	Installation
8-9	Settings Adjustment
10	Battery Replacement
10	Spare Parts List
11	Maintenance
12	Limited Warranty
13	Trouble Shooting

The information in this document reflects products at the date of printing. Dolphin Solutions Ltd reserves the right, subject to all applicable laws, at any time, at its sole discretion, and without notice, to discontinue or change the features, designs, materials and other specifications of its products, and to either permanently or temporarily withdraw any of the foregoing from the market. All information in this document is provided "as is" without warranty of any kind, either expressed or implied, including but not limited to any implied warranties of merchantability, fitness for a particular purpose, or non-infringement. Dolphin Solutions Ltd assumes no responsibility for errors or omissions in the information presented in this document. In no event shall Dolphin Solutions Ltd be liable for any special, incidental, indirect or consequential damages of any kind, or any damages whatsoever arising out of or in connection with the use or performance of this information. The tradenames, trademarks, logos and service marks presented in this document, including their design, are the property of Dolphin Solutions Ltd or other third parties and you are not permitted to use them without the prior written consent of Dolphin Solutions Ltd or such third party as may own them.

## TECHNICAL DATA



DBI80

DBI85

**Power supply**

9V Alkaline Battery or 9V Transformer

**Recommended water pressure**

0.5-8.0 bar (7-116 PSI) With water pressure of more than 8 bars, use a pressure reducing valve for reduction.

**Preset sensor range**

95mm / (customisable with optional remote control)

**Minimum sensor range**

30 mm

**Maximum sensor range**

120 mm

**Security time 90 seconds.**

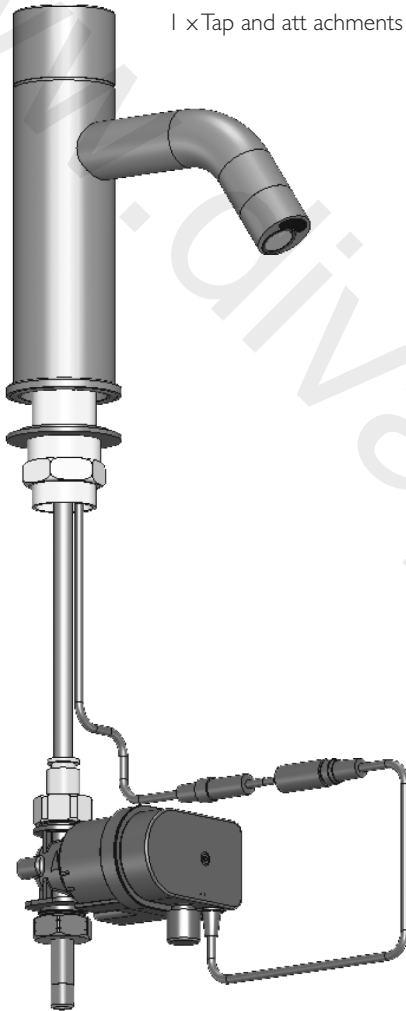
Can be reduced with optional remote control.

**Hot water temperature Max**

70°C

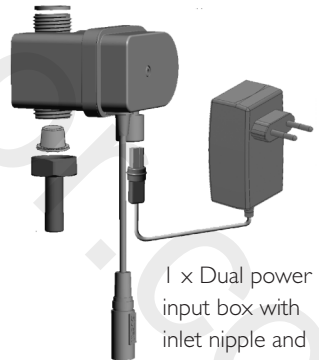
## PACK CONTENTS

Familiarise yourself with the part names and confirm that the parts are included.



1 x Tap and attachments

1 x 9V Transformer



1 x Dual power input box with inlet nipple and filter



1 x filter



1 x Allen key

## PRE INSTALLATION INFORMATION

### Check contents

- › Separate all parts from the packaging and check each part with the "Pack contents" section.
- › Pay attention to the different models variations.
- › Make sure all parts are accounted for before discarding any packaging material.
- › If any parts are missing, do not attempt to install your electronic tap until you obtain the missing parts.

### Warnings

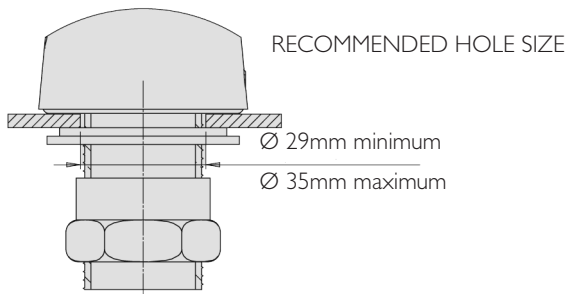
- › Do not install facing a mirror or any other electronic system operated by an infrared sensor.
- › To prevent reflection problems, it is recommended to keep a minimum distance of 1.50 meters between the tap and any other objects.

### Preparation for installation

- › Flush water supply lines thoroughly before installing the tap. Do not allow dirt, Teflon tape or metal particles to enter the tap.
- › Shut off water supply.

### Important

- › All plumbing is to be installed in accordance with applicable codes and regulations.

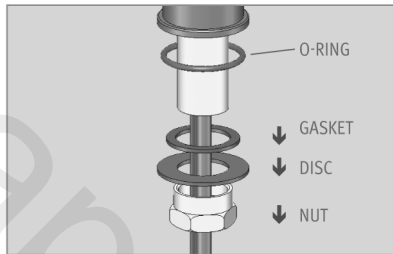


# INSTALLATION

**OPERATION:** This tap features an IP67 dual power input box. The product can be operated with a 9V battery or a 9V transformer. In addition, when used with a transformer, the product contains an integrated battery back up, for normal use during power supply failures.

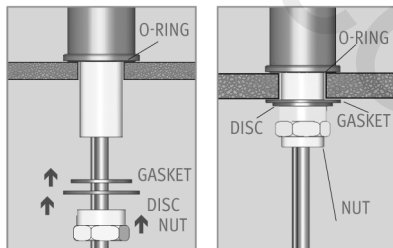
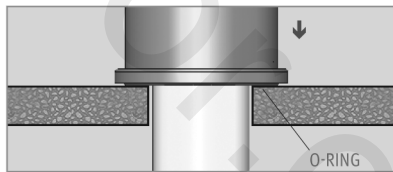
## Step 1 – Preparation for mounting the tap

1. Shut off the water supply.
2. Remove the hexagonal nut, the disk and the gasket. Do not remove the O-ring from the base of the tap.



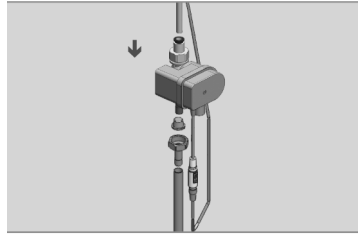
## Step 2 – Installing the tap

1. Place the tap with O-ring into the hole in deck or lavatory. Make sure the O-ring is located between the deck or lavatory and the bottom of the tap. O-RING
2. Slide the gasket, disk and hexagonal nut over the flexible hose and secure the tap into place.



# INSTALLATION

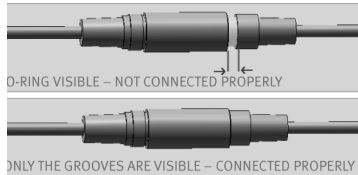
3. Connect the flexible tube to the solenoid valve body integrated in the dual power input box. Connect the water tube coming from the tap body to the nut at the top of the dual power input box, by snapping it in.



## Step 4 – Connecting the power source

Open the dual power box using the Allen key provided and install the 9V Alkaline battery. Connect the four contacts connector to the dual power input box.

**Important:** Make sure that the 4 contacts connector is connected all the way through.



**TRANSFORMER VERSION** Plug the transformer into the electricity socket and connect the connectors.

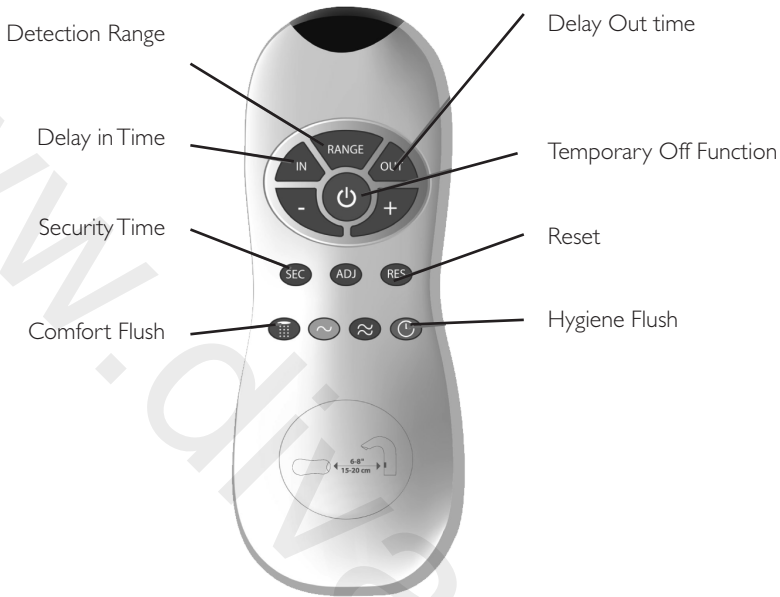


## Step 3 – Connecting the water supply

1. Connect the flexible pipe to the water supply. **Make sure that the filters are installed between the flexible pipe and the shut off valve/angle valve (not supplied).**
2. Turn on the central water supply and the shut-off valves (angle valves). Check for leaks.



## SETTINGS ADJUSTMENT



### Adjusting the settings with the remote control

If necessary, the sensor settings can be adjusted as following:

Shut off the water supply. In order to adjust the sensor with the remote control, hold the remote control straight in front of the sensor in a distance of about 6-8" (15-20cm). Choose the function you want to adjust by pressing once on one of the function buttons. After pressing once on a specific function button, a quick flashing of the LED at the front of the sensor will occur. At this stage, you can change the setting by pressing the (+) or the (-) buttons, every push will increase or decrease one level. After finishing the adjustment, turn the water supply back on.



**DETECTION RANGE:** Only if necessary, use the remote control to adjust the sensor range as follows: Press the RANGE button. Wait until a quick flashing of the LED in the sensor eye is perceived. Then, press + to increase the one level and – to reduce it every push will increase or decrease one level. **Note :** Once you have changed the detection range with the remote control, this distance will be remembered by the sensor, even if the power source is disconnected.



## SETTINGS ADJUSTMENT



**DELAY IN TIME** If required, the delay in time can also be modified as follows: Press the IN button. Wait until a quick flashing of the LED in the sensor eye is perceived. Then, press + to increase the delay in time and – to reduce it.



**DELAY OUT TIME** This button allows modifying the flushing start time after the user moves away from the product. A delay out time close to 0 will save more water. An increased delay out time will make the user experience more comfortable. If required, the delay out time can be modified as follows: Press the OUT button. Wait until a quick flashing of the LED in the sensor eye is perceived. Then, press + to increase the delay out time and – to reduce it.

**TEMPORARY OFF FUNCTION** This function is ideal to perform any kind of activity in front of the sensor without operating the system (for example, cleaning). The product will remain shut for 1 minute when this button is pressed once. To cancel this function and to return to normal operation press the On/Off button again or wait 1 minute.



**RESET BUTTON** This function restores all the factory settings except for the sensor range. If required, press the Reset button and without releasing it, press the + button once.



**SECURITY TIME** The Security time, prevents continuous flushing of water due to reflections or vandalism. By default, if the sensor is covered for more than 90 seconds the water flow will shut automatically. To resume regular operation any obstruction must be removed. Press the SEC button. Wait until a quick flashing of the LED of the sensor eye is perceived. Then, press + to increase the security time and – to reduce it.



**24 HOUR HYGIENE FLUSH** This model includes a 24 hours hygiene flush which is disabled. To activate the hygiene flush, press the clock button. Wait until a quick flashing of the LED in the sensor eye is perceived. Then press + to activate the hygiene flush. To disable it again, press – to deactivate it.



**COMFORT FLUSH** If your model includes a Comfort flush setting, it can be activated by pressing the flush button. When the button is pressed, one blink of the blue in the sensor eye is perceived. The pre-programmed flush cycle will take place then. The Comfort flush cannot be interrupted or deactivated by pressing any button until it is over.

## BATTERY REPLACEMENT

When the battery weakens, the LED indicator light will blink at a constant rate. The battery must be replaced within two weeks.

Carefully open the dual power input box using the Allen key provided. Remove the old battery and replace it with a new 9V battery (Lithium battery is recommended). Close the box lid and tighten it with the screw.

**Important** : Spent batteries should not be disposed of with normal household waste. Contact your local authority for information on waste disposal and recycling.

## SPARE PARTS LISTING

Seals & Screws Kit .....	DB07210182
I0-Pack Sensor Kit .....	DB07220412
Cover Kit .....	DB07270004
I0-Pack Solenoid Valve Kit .....	DB07232005
Dual Power Input Box (excluding solenoid and battery) .....	DB06530042
9V transformer .....	DB85F
Soap & Water Remote Control (Optional) .....	DB07100014

### **Filter cleaning instructions**

This tap is provided with stainless steel filter preventing foreign particles to enter the lines. If the water flow has decreased, this can be because the filter is clogged.

The filter can be cleaned as follows:

1. Shut-off the water shut off valve (angle valve).
2. Disconnect the flexible pipe.
3. Remove the filter and wash it under running water.
4. Reassemble the parts.
5. Make sure that there is no water leakage.

### **Care and cleaning of chrome and special finishes**

DO NOT use steel wool or cleansing agents containing alcohol, acid, abrasives, or the like. Use of any prohibited cleaning or maintenance products or substances could damage the surface of the tap. For surface cleaning of tap use ONLY soap and water; then wipe dry with clean cloth or towel. When cleaning bathroom tile, the taps should be protected from any splattering of harsh cleansers.

### **Solenoid valve servicing**

The solenoid valve diaphragm requires periodical cleaning every six (6) month.

Remove the diaphragm from the solenoid valve and examine it for dirt. In case it is dirty or clogged, wash it under running water and reassemble it.

Do not attempt to dismantle the solenoid valve if you are unfamiliar with electronic solenoid valves.

## LIMITED WARRANTY

Dolphin Solutions Ltd warrants that its electronic taps, flush valves and controls will be free of defects in material and workmanship during normal use for two years from the date the product is purchased.

If a defect is found in normal use, Dolphin Solutions Ltd will, at its discretion, repair, provide a replacement part or product, or make appropriate adjustments. Damage caused by accident, misuse, or abuse is not covered by this warranty. Improper care and cleaning will void the warranty. Proof of purchase (original sales receipt) must be provided to Dolphin Solutions Ltd with all warranty claims. Dolphin Solutions Ltd is not responsible for labour charges, installation, or other incidental or consequential costs other than those noted above. In no event shall the liability of Dolphin Solutions Ltd exceed the purchase price of the tap, valve or control.

If you believe that you have a warranty claim, contact your Dolphin Distributor, Dealer or Plumbing Contractor. Please be sure to provide all pertinent information regarding your claim, including a complete description of the problem, the product, model number, the date the product was purchased, from whom the product was purchased and the installation date. Also include your original invoice.

DOLPHIN SOLUTIONS LTD AND/OR SELLER DISCLAIM ANY LIABILITY FOR SPECIAL, INCIDENTAL OR CONSEQUENTIAL DAMAGES. This warranty excludes product damage due to installation error; incorrect maintenance, wear and tear; battery, water composition, product abuse, or product misuse, whether performed by a contractor; service company, or the consumer. This warranty does not cover product damage caused by the following:

- Incorrect installation, inversions of supply pipes.
- Pressures or temperatures exceeding recommended limits.
- Improper manipulation, tampering, bad or lapsed maintenance.
- Foreign bodies, dirt or scale introduced by the water supply.

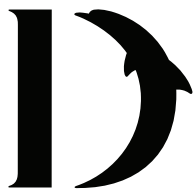
## TROUBLE SHOOTING

PROBLEM	INDICATOR	CAUSE	SOLUTION
No water coming out of the faucet:	1. Sensor flashes continuously when user's hands are within the sensor's range.	Low battery.	Replace battery
	2. LED in the sensor does not flash once when user's hands are within the sensor's range.	1. Range is too short.	Increase the range
		2. Range is too long.	Decrease the range
		3. Battery is completely used up	The battery must be replaced.
		4. Unit is in "Security Mode"	
3. LED in the sensor flashes once when user's hands are within the sensor's range.	5. Sensor is picking up reflections from the washbasin or another object.	Eliminate cause of reflection.	
	1. Connectors between the electronic unit and solenoid are disconnected.	Connect the electronic unit connectors to the solenoid. Solenoid is located inside the body.	
		2. The water supply pressure is higher than 8 bar.	Reduce the supply water pressure.
Water flow from spout does not stop:	1. Sensor flashes once when user's hands are within the sensor's range.	3. The water supply pressure is under 8 bars and yet the pressure in the faucet's body is higher. This situation could be caused by a sudden increase in the water supply pressure that the back check prevents from dropping, even after water supply pressure drops under 8 bars.	Shut off water supply and unscrew one of the flexible pipes in order to reduce the pressure that blocks the product.
		1. Debris or scale in solenoid	Clean or replace the solenoid.
	2. LED in the sensor does not flash once when user's hands are within the sensor's range.	2. Connectors between the electronic unit and the Dual power input box are disconnected or not connected properly	Connect the connectors properly. <i>Refer to page 5.</i>
		1. Sensor is dirty or covered.**	Clean or eliminate case of interference.
		2. Sensor is picking up reflections from the washbasin or another object.	Decrease the range or eliminate cause of reflection.
		Filter or aerator is clogged or the solenoid is dirty.	Remove, clean, re-install
Water flow diminished			

\* "Security Mode": If the sensor is covered for more than 90 sec. the faucet will automatically shut off water flow To return to normal operation remove any blockage.

\*\* In this case, the water flow will stop anyway after 90 seconds because of the security time.

www.divapor.com



**D O L P H I N**

**Dolphin Solutions Ltd**

Southpoint, Compass Park, Bodiam,  
Robertsbridge, TN32 5BS

Tel: +44 (0)1424 20 22 24

Fax: +44 (0)1424 205 200

[info@dolphinsolutions.co.uk](mailto:info@dolphinsolutions.co.uk)

[www.dolphinsolutions.co.uk](http://www.dolphinsolutions.co.uk)