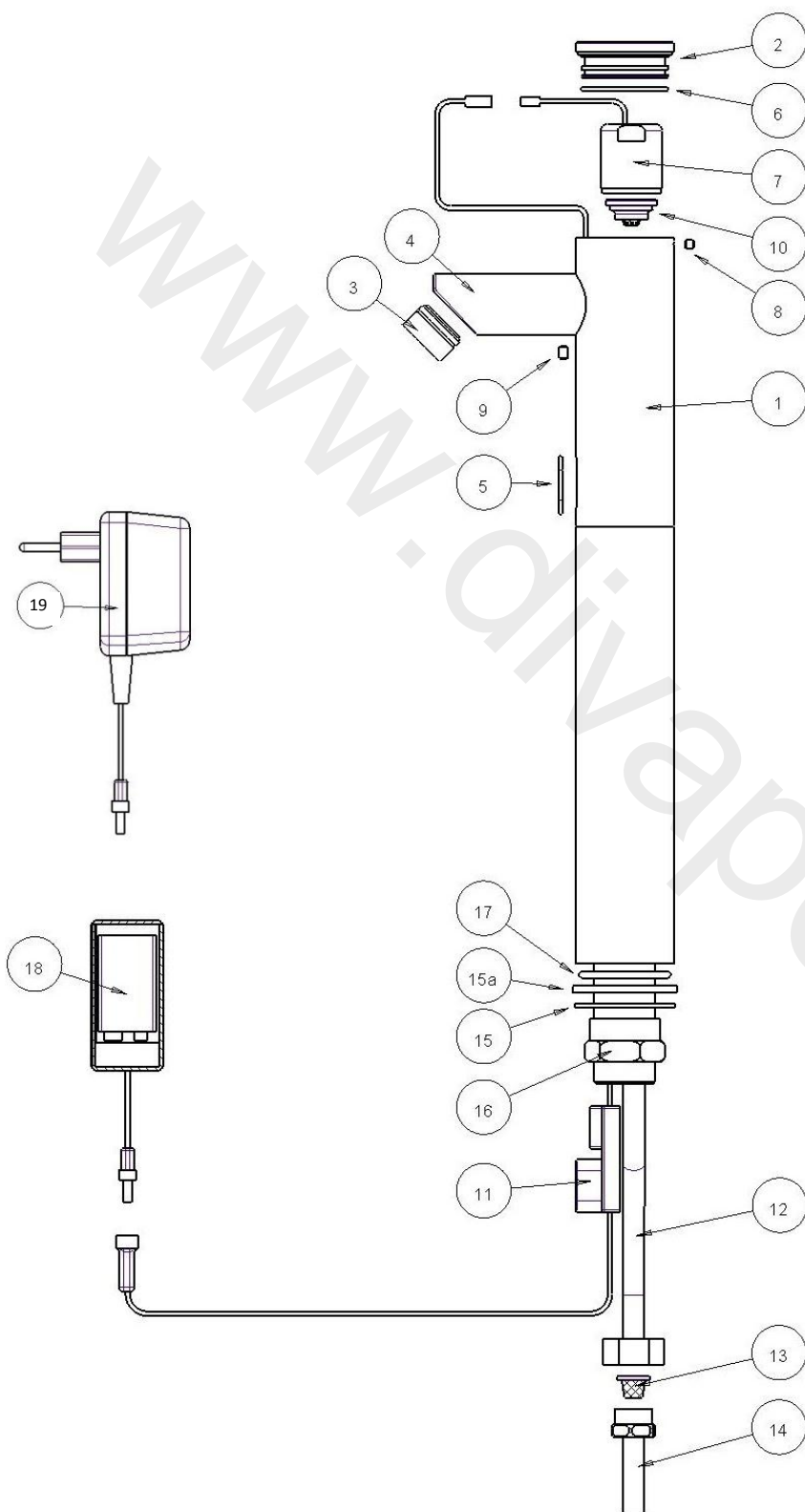


# DBL200/DBL225 Tap Range – Parts Diagram



Item	Description	Part No.
-	<b>Seals and Screws Kit</b>	<b>DB07210022</b>
6	O-ring	
17	O-ring	
15a	Gasket	
8	Screw	
9	Screw	
5	O-ring	
-	<b>Sensor Kit</b>	<b>DB07220042</b>
11	Infra-Red Sensor	
5	O-ring	
-	<b>Filter Adapter Kit</b>	<b>DB07212001</b>
13	Filter	
14	Nipple	
-	<b>Cover Kit</b>	<b>DB07270003</b>
2	Cover	
6	O-ring	
-	<b>Solenoid Valve Kit</b>	<b>DB07230017</b>
7	Solenoid valve	
10	Diaphragm	
<b>10</b>	<b>Diaphragm</b>	<b>DB04500001</b>
<b>18</b>	<b>Battery Box (IP67 version)</b>	<b>DB83F</b>
<b>18</b>	<b>Battery Box</b>	<b>DB82F</b>
<b>19</b>	<b>9V Transformer (100mA)</b>	<b>DB70F</b>
<b>19</b>	<b>9V Transformer (300mA)</b>	<b>DB85F</b>