

36 503 780



- cover plate 120 x 120 mm
- temperature control handle with safety limit stop at 38°C
- thermostat cartridge

**Codes & standards**

**Note: Important! The minimum recess depths make it necessary to have a wall of 2 x 6 crosspieces.**

Note: Important! The minimum recess depths make it necessary to have a wall of 2 x 6 crosspieces.

Fits: IMO, MEM, CL.1, CYO

	Platinum	36 503 780-08
	Chrome	36 503 780-00
	Brushed Platinum	36 503 780-06
	Dark Chrome	36 503 780-19
	Brushed Durabronze (23kt Gold)	36 503 780-28
	Matte Black	36 503 780-33
	Brushed Champagne (22kt Gold)	36 503 780-46
	Champagne (22kt Gold)	36 503 780-47
	Brushed Chrome	36 503 780-93
	Brushed Dark Platinum	36 503 780-99

**Required miscellaneous**



**xTOOL Concealed thermostat module without volume control** 35 503 970 90  
 •min. recess depth 115 mm  
 •max. recess depth 155 mm

**Recommended miscellaneous**



**xGRID Attachment set for integrating in the dry wall construction** 12 340 970 90

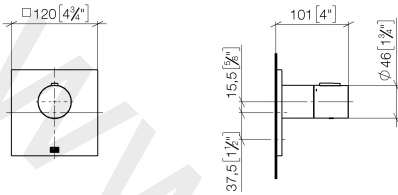
**Required miscellaneous**



**xGRID Installation track 555 mm** 12 360 970 90

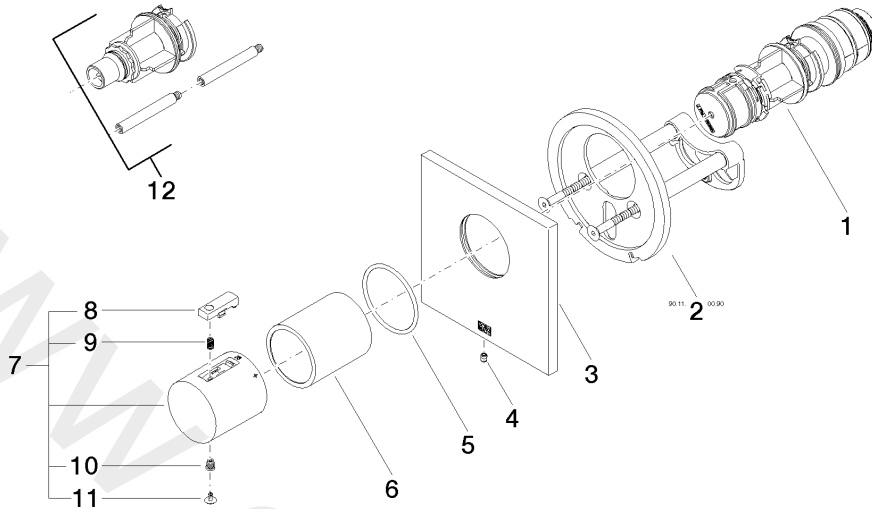
36 503 780

mm [inches]



www.divapor.com

36 503 780



### Spare parts list

No.	Item Number	Name	Quantity used	Delivery time
1	90 15 02 065 00 90	cartridge	1	2
2	90 11 01 196 00 90	base	1	2
3	09 11 02 533-08	cover	1	20
4	09 31 11 044 90	pin	1	2
5	09 14 10 049 90	seal	1	2
6	09 21 02 112-08	sleeve	1	20
7	90 17 33 004 00-08	handle	1	20
8	90 21 33 010 00-13	handle	1	2
9	90 16 02 027 00 90	spring	1	2
10	09 30 30 136 90	screw	1	2
11	09 31 20 049-13	plug	1	30
12	12 178 970 90	Extension 46 mm	1	2