

ST 060 112 8892



- cover plate Ø 124 mm
- rosette Ø 55 mm
- temperature control handle with safety limit stop at 38°C
- thermostat cartridge
- 2x head part with cut-to-length spindle and sleeve

Fits TARA

Note: Important! The minimum recess depths make it necessary to have a wall of 2 x 6 crosspieces.

| | | |
|--|-------------------------------|--------------------|
|  | Brushed Dark Platinum | ST 060 112 8892-99 |
|  | Chrome | ST 060 112 8892-00 |
|  | Brushed Platinum | ST 060 112 8892-06 |
|  | Platinum | ST 060 112 8892-08 |
|  | Matte White | ST 060 112 8892-10 |
|  | Brushed Durabrass (23kt Gold) | ST 060 112 8892-28 |
|  | Matte Black | ST 060 112 8892-33 |
|  | Brushed Champagne (22kt Gold) | ST 060 112 8892-46 |
|  | Champagne (22kt Gold) | ST 060 112 8892-47 |
|  | Brushed Chrome | ST 060 112 8892-93 |

Individual components of this set

You need the following components for this set

1x 36 503 979-99



2x 36 607 892-99



www.divapor.com

ST 060 112 8892




- cover plate Ø 124 mm
- temperature control handle with safety limit stop at 38°C
- thermostat cartridge


Codes & standards

| | | |
|--|--------------------------------|---------------|
|  | Brushed Dark Platinum | 36 503 979-99 |
|  | Chrome | 36 503 979-00 |
|  | Brushed Platinum | 36 503 979-06 |
|  | Platinum | 36 503 979-08 |
|  | Durabronze (23kt Gold) | 36 503 979-09 |
|  | Matte White | 36 503 979-10 |
|  | Dark Chrome | 36 503 979-19 |
|  | Brushed Durabronze (23kt Gold) | 36 503 979-28 |
|  | Matte Black | 36 503 979-33 |
|  | Brushed Champagne (22kt Gold) | 36 503 979-46 |
|  | Champagne (22kt Gold) | 36 503 979-47 |
|  | Brushed Chrome | 36 503 979-93 |

Required miscellaneous

| | | |
|---|--|---------------|
|  | xTOOL Concealed thermostat module without volume control • min. recess depth 85 mm • max. recess depth 110 mm | 35 503 970 90 |
|---|--|---------------|

Recommended miscellaneous

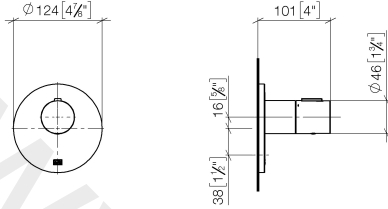
| | | |
|---|--|---------------|
|  | xGRID Attachment set for integrating in the dry wall construction | 12 340 970 90 |
|---|--|---------------|

Required miscellaneous

| | | |
|---|--|---------------|
|  | xGRID Installation track 555 mm | 12 360 970 90 |
|---|--|---------------|

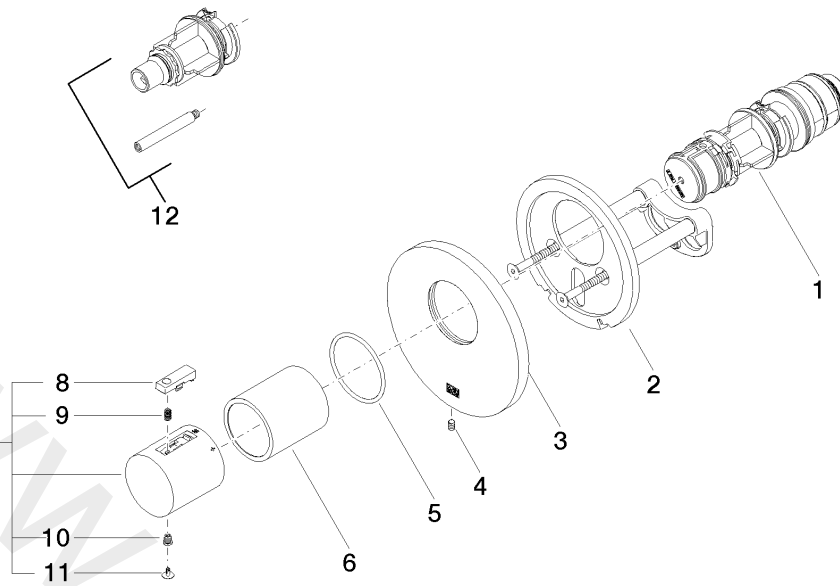
ST 060 112 8892

mm [inches]



www.divapor.com

ST 060 112 8892



Spare parts list

| No. | Item Number | Name | Quantity used | Delivery time |
|-----|--------------------|-----------------|---------------|---------------|
| 1 | 90 15 02 065 00 90 | cartridge | 1 | 2 |
| 2 | 90 11 01 196 00 90 | base | 1 | 2 |
| 3 | 09 11 02 537-99 | cover | 1 | 30 |
| 4 | 09 31 11 048 90 | pin | 1 | 2 |
| 5 | 09 14 10 049 90 | seal | 1 | 2 |
| 6 | 09 21 02 112-99 | sleeve | 1 | 30 |
| 7 | 90 17 33 004 00-99 | handle | 1 | 30 |
| 8 | 90 21 33 010 00-13 | handle | 1 | 2 |
| 9 | 90 16 02 027 00 90 | spring | 1 | 2 |
| 10 | 09 30 30 136 90 | screw | 1 | 2 |
| 11 | 09 31 20 049-13 | plug | 1 | 30 |
| 12 | 12 178 970 90 | Extension 46 mm | 1 | 2 |

ST 060 112 8892

- rosette Ø 55 mm
- head part with cut-to-length spindle and sleeve

Codes & standards

Fits TARA

Fits TARA



| | | |
|--|--------------------------------|---------------|
|  | Brushed Dark Platinum | 36 607 892-99 |
|  | Chrome | 36 607 892-00 |
|  | Brushed Platinum | 36 607 892-06 |
|  | Platinum | 36 607 892-08 |
|  | Matte White | 36 607 892-10 |
|  | Dark Chrome | 36 607 892-19 |
|  | Brushed Durabronze (23kt Gold) | 36 607 892-28 |
|  | Matte Black | 36 607 892-33 |
|  | Brushed Champagne (22kt Gold) | 36 607 892-46 |
|  | Champagne (22kt Gold) | 36 607 892-47 |
|  | Brushed Chrome | 36 607 892-93 |

Required miscellaneous



Wall valve 1/2"

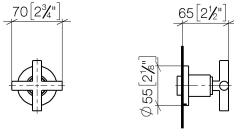
- min. recess depth 85 mm
- max. recess depth 145 mm

35 607 970 90

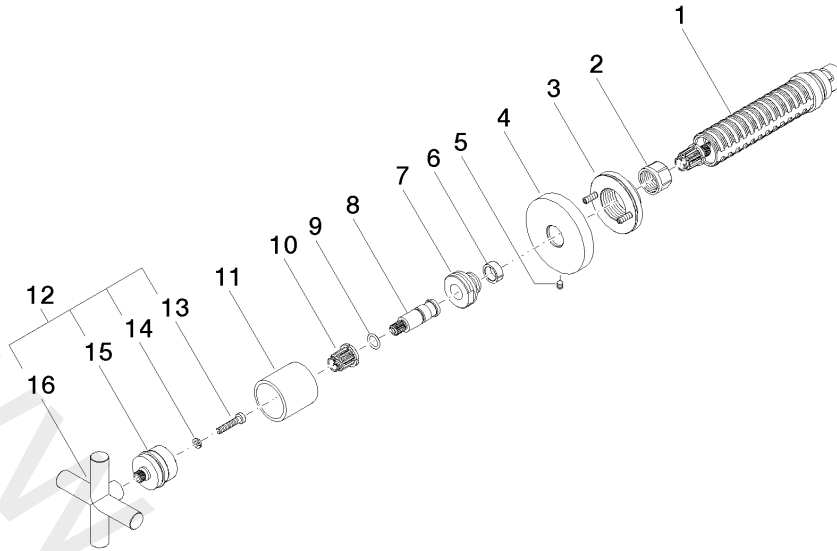
www.divapor.com

ST 060 112 8892

mm [inches]



www.divapor.com



Spare parts list

| No. | Item Number | Name | Quantity used | Delivery time |
|-----|--------------------|------------|---------------|---------------|
| 1 | 90 90 03 143 00 90 | top | 1 | 2 |
| 2 | 09 23 30 023 90 | nut | 1 | 2 |
| 3 | 90 21 02 108 00 90 | disc | 1 | 2 |
| 4 | 09 27 89 108-99 | rosette | 1 | 30 |
| 5 | 09 31 11 007 90 | pin | 1 | 2 |
| 6 | 09 14 15 020 90 | ring | 1 | 2 |
| 7 | 09 24 05 002 90 | nipple | 1 | 2 |
| 8 | 09 29 06 022 90 | spindle | 1 | 2 |
| 9 | 09 14 10 060 90 | seal | 1 | 2 |
| 10 | 90 12 12 002 00 90 | fixing cap | 1 | 2 |
| 11 | 09 21 02 144-99 | sleeve | 1 | 30 |
| 12 | 04 20 89 010 00-99 | handle | 1 | 60 |
| 13 | 09 30 30 075 90 | screw | 1 | 2 |
| 14 | 09 30 11 029 90 | disc | 1 | 2 |
| 15 | 90 12 12 007 00-99 | base | 1 | 30 |
| 16 | 09 20 89 010-99 | handle | 1 | 30 |