




ST 060 110 4705



- cover plate 120 x 120 mm
- rosette 60 x 60 mm
- temperature control handle with safety limit stop at 38°C
- thermostat cartridge
- 2x head part with cut-to-length spindle and sleeve

Fits CL.1

36 501 985-FF can also be used as an alternative.

	Brushed Dark Platinum	ST 060 110 4705-99
	Chrome	ST 060 110 4705-00
	Brushed Platinum	ST 060 110 4705-06

Individual components of this set

You need the following components for this set



1x 36 503 780-99



2x 36 607 705-99

www.divapor.com

ST 060 110 4705



Fits: IMO, MEM, CL.1, CYO

- cover plate 120 x 120 mm
- temperature control handle with safety limit stop at 38°C
- thermostat cartridge

Codes & standards

Note: Important! The minimum recess depths make it necessary to have a wall of 2 x 6 crosspieces.

Note: Important! The minimum recess depths make it necessary to have a wall of 2 x 6 crosspieces.

	Brushed Dark Platinum	36 503 780-99
	Chrome	36 503 780-00
	Brushed Platinum	36 503 780-06
	Platinum	36 503 780-08
	Dark Chrome	36 503 780-19
	Brushed Durabrand (23kt Gold)	36 503 780-28
	Matte Black	36 503 780-33
	Brushed Champagne (22kt Gold)	36 503 780-46
	Champagne (22kt Gold)	36 503 780-47
	Brushed Chrome	36 503 780-93

Required miscellaneous



xTOOL Concealed thermostat module without volume control 35 503 970 90
 •min. recess depth 115 mm
 •max. recess depth 155 mm

Recommended miscellaneous



xGRID Attachment set for integrating in the dry wall construction 12 340 970 90

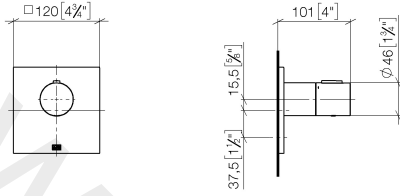
Required miscellaneous



xGRID Installation track 555 mm 12 360 970 90

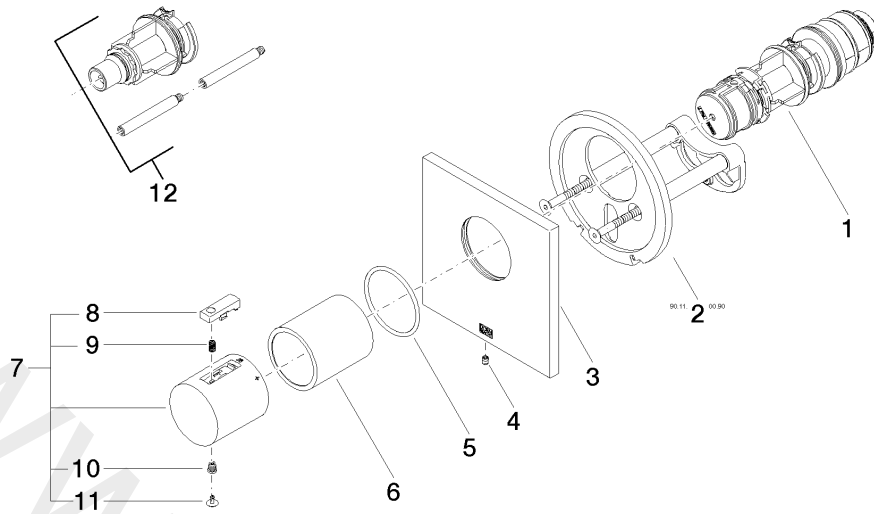
ST 060 110 4705

mm [inches]



www.divapor.com

ST 060 110 4705



Spare parts list

No.	Item Number	Name	Quantity used	Delivery time
1	90 15 02 065 00 90	cartridge	1	2
2	90 11 01 196 00 90	base	1	2
3	09 11 02 533-99	cover	1	30
4	09 31 11 044 90	pin	1	2
5	09 14 10 049 90	seal	1	2
6	09 21 02 112-99	sleeve	1	30
7	90 17 33 004 00-99	handle	1	30
8	90 21 33 010 00-13	handle	1	2
9	90 16 02 027 00 90	spring	1	2
10	09 30 30 136 90	screw	1	2
11	09 31 20 049-13	plug	1	30
12	12 178 970 90	Extension 46 mm	1	2

ST 060 110 4705

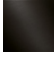
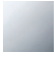
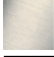



- rosette 60 x 60 mm
- without marking
- head part with cut-to-length spindle and sleeve

Codes & standards

Fits CL.1

Fits CL.1

	Brushed Dark Platinum	36 607 705-99
	Chrome	36 607 705-00
	Brushed Platinum	36 607 705-06
	Dark Chrome	36 607 705-19

Required miscellaneous

Wall valve 1/2" 35 607 970 90

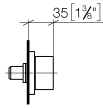
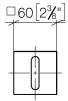


- min. recess depth 105 mm
- max. recess depth 150 mm

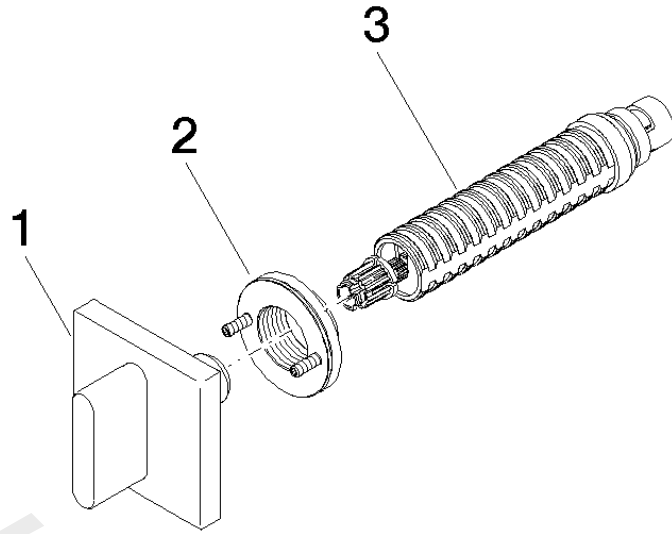
www.divapor.com

ST 060 110 4705

mm [inches]



www.divapor.com



Spare parts list

No.	Item Number	Name	Quantity used	Delivery time
1	90 20 70 051 01-99	handle	1	30
2	90 21 02 108 00 90	disc	1	2
3	90 90 03 143 00 90	top	1	2